





Thermowell for Thermometer, Threaded

Model: TWC



PRODUCT DESCRIPTION

- ▼ Enables the thermometer to be exchanged during operation
- ▼ Protects the thermometer and extends the service life

PRODUCT SPECIFICATION

Process connection

Male
1/4, 3/8, 1/2, 3/4
PT, G, NPT, M

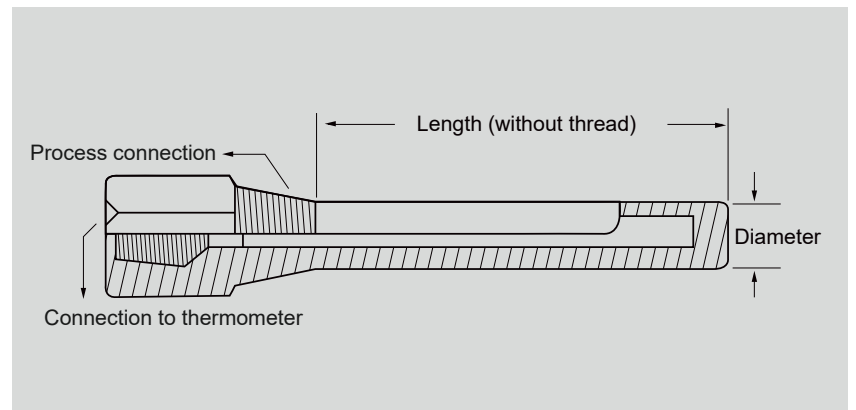
Connection to thermometer

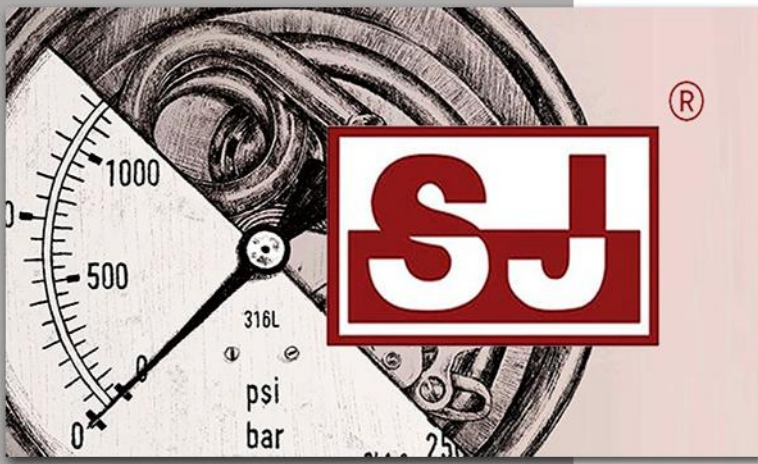
Female
1/4, 3/8, 1/2, 3/4
PT, G, NPT, M

Thermowell

Material: 304 SS, 316 SS
Length: can be customized
Diameter: 9.5, 10, 12, 15 mm

DIMENSIONS





rsIMAC

Elementos For Manufacturing Processes



MEXICO BRANCH OFFICE

Roberto Diaz No. 401
Ciudad Industrial
Aguascalientes, Ags.
México
20290

4ManPro@4ManPro.com

+52 (449) 171 3420
www.4ManPro.com/SPA/

USA BRANCH OFFICE

708 Main St.
10th Floor
Houston, Tx, USA
77002

4ManPro_USA@4ManPro.com

+1 (832) 871 5022
www.4ManPro.com/ENG/