





Thermowell for Thermometer, Solid Bar Stock

Model: TTW



PRODUCT DESCRIPTION

- ▼ One-piece bar stock made from stainless steel
- ▼ Suitable for high process and high chemical loads

PRODUCT SPECIFICATION

Type
Straight, tapered, stepped

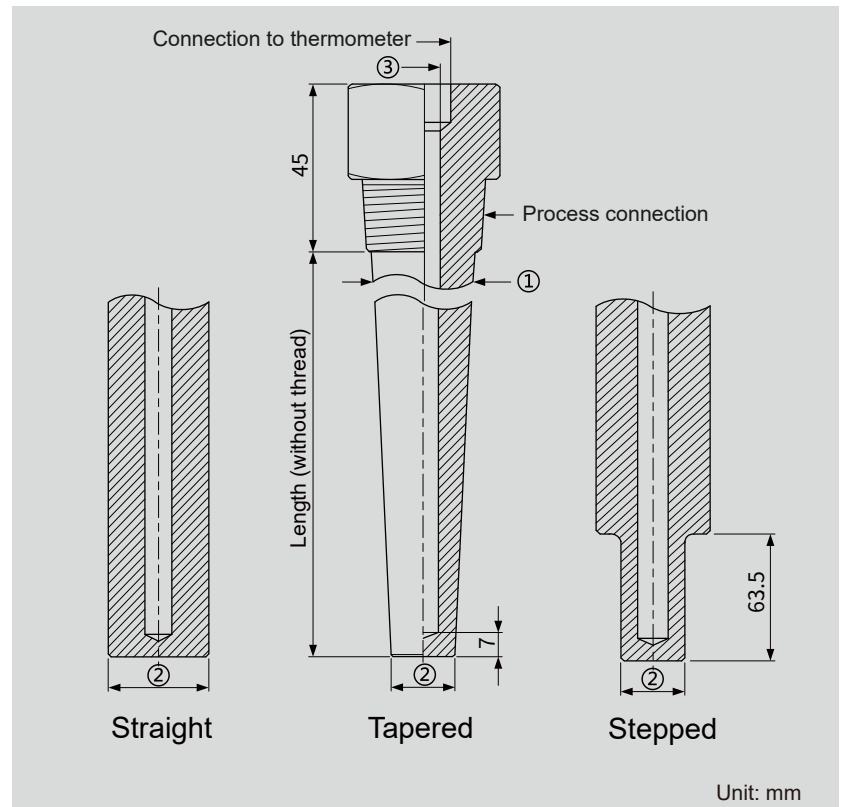
Process connection
Male
1/4, 3/8, 1/2, 3/4
PT, G, NPT, M

Connection to thermometer
Female
1/4, 3/8, 1/2, 3/4
PT, G, NPT, M

Thermowell
Material: 304 SS, 316 SS
Length: can be customized
Diameter: 9.5, 10, 12, 15 mm

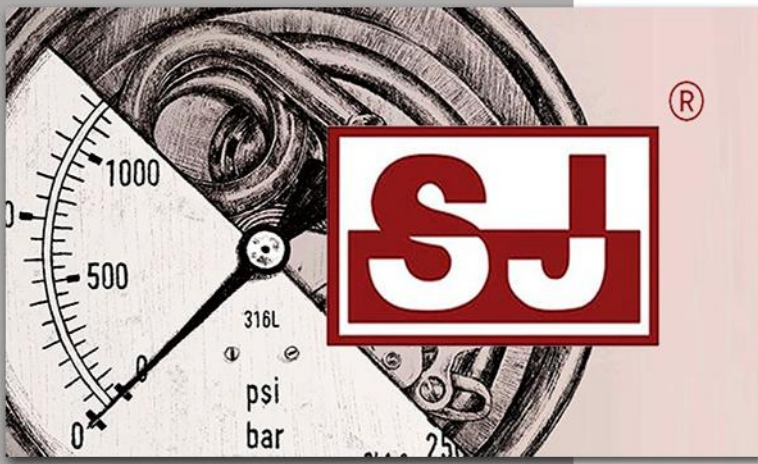
Accessories (option)
Coating

DIMENSIONS



* Note: ① ② ③ customized upon request

The product images displayed in the catalog are illustrative, and the actual products will be customized to your requirements.



rsIMAC

Elementos For Manufacturing Purposes



MEXICO BRANCH OFFICE

Roberto Diaz No. 401
Ciudad Industrial
Aguascalientes, Ags.
México
20290

4ManPro@4ManPro.com

+52 (449) 171 3420
www.4ManPro.com/SPA/

USA BRANCH OFFICE

708 Main St.
10th Floor
Houston, Tx, USA
77002

4ManPro_USA@4ManPro.com

+1 (832) 871 5022
www.4ManPro.com/ENG/