

4ManPro

Elemente For Manufacturing Processes

SJ DIT-W

CONEXIÓN
CON
CUERDA
SOLDADO



Threaded Connection, Welded Type

Model: DIT-W

Product Description

- Fully welded design, without additional sealing
- For hot, hazardous or toxic media
- Mostly used in oil, gas and petrochemical industries



Left: 48 mm Right: 70 mm
Bottom: 90 mm

Product Specification

Diameter

48 mm, 70 mm, 82 mm, 90 mm

Process connection

Male, female, union nut and loose threaded

1/4", 3/8", 1/2", 3/4", 1"

PT, G, NPT, M

Instrument connection

1/4", 3/8", 1/2"

PT, G, NPT, M

Scale ranges

48 mm

Pressure gauge:

0 ... 4 bar to 0 ... 40 bar

Transmitter:

0 ... 4 bar to 0 ... 40 bar

70 mm

Pressure gauge:

0 ... 2.5 bar to 0 ... 60 bar

Transmitter:

0 ... 0.01 bar to -1 ... 60 bar

82 mm

Pressure gauge:

-1 ... 0 bar to -1 ... 40 bar

90 mm

Pressure gauge:

-1 ... 0 bar to -1 ... 60 bar

Transmitter:

0 ... 0.01 bar to -1 ... 60 bar

or all other equivalent vacuum or combined pressure and vacuum ranges

Product Specification

Material

Body:

304 SS, 316 SS, 316L SS, Dual Phase
Steel, Hastelloy C276, Tantalum,
Monel 400, Titanium, Nickel 200

Diaphragm:

316L SS, Hastelloy C276, Tantalum,
Monel 400, Titanium, Nickel 200

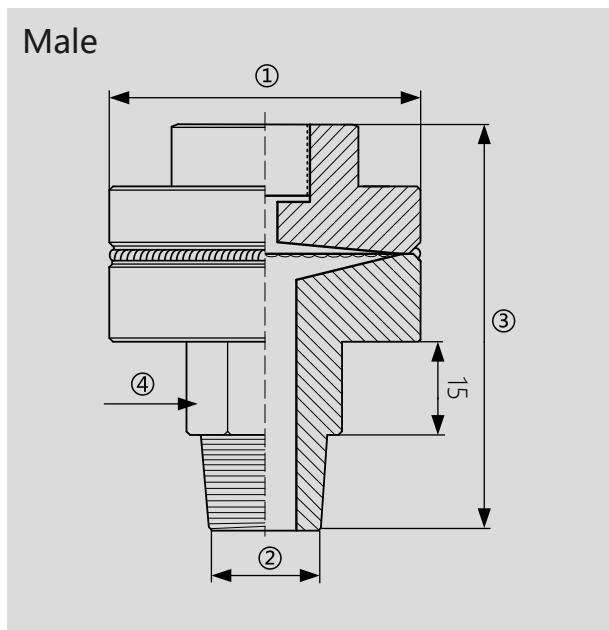
Medium temperature

0°C ... 80°C (standard) , 81°C ... 200°C,
201°C ... 400°C

Others

Welded with instrument, flush port

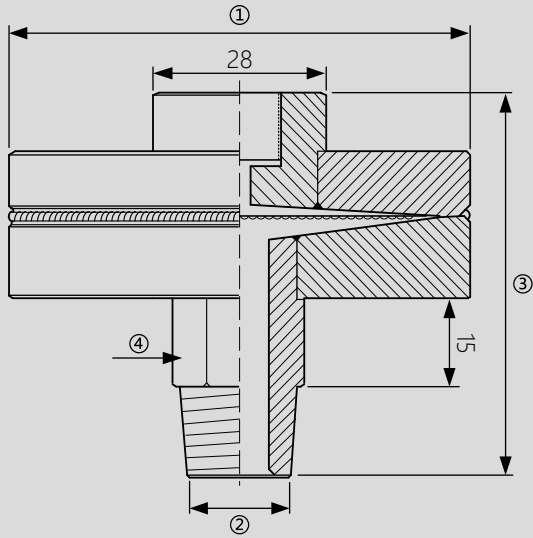
Dimensions



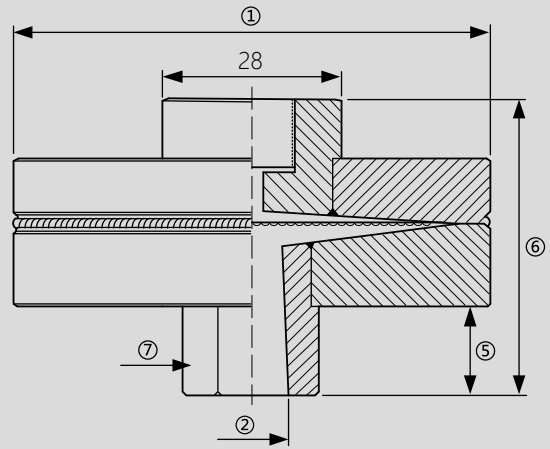
Dimensions (mm)			
①	②	③	④
$\varnothing 48$	1/2" NPT	68	22

Dimensions

Male



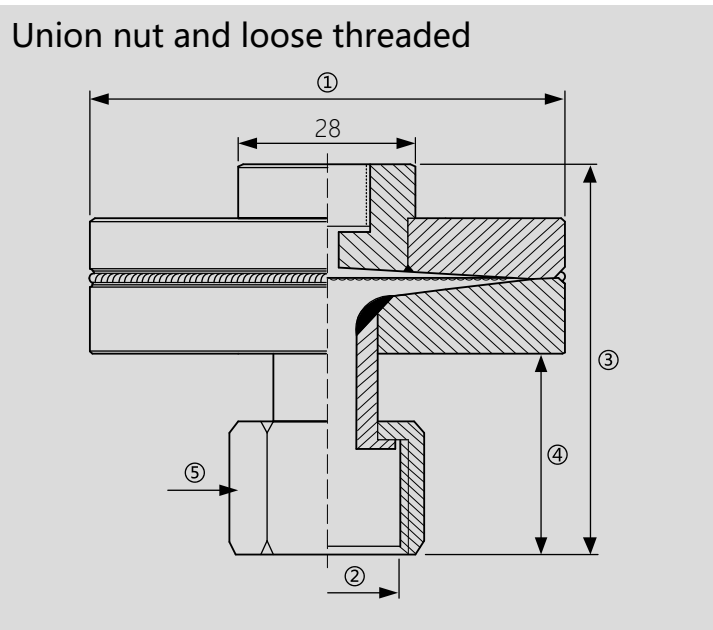
Female



Dimensions (mm)

①	②	③	④	⑤	⑥	⑦
$\varnothing 70$ $\varnothing 90$	1/4"	63	22	15	50	22
	3/8"	65	22	15	50	22
	1/2"	68	22	15	50	30
	3/4"	70	27	20	55	32
	1"	71	35	21	56	38

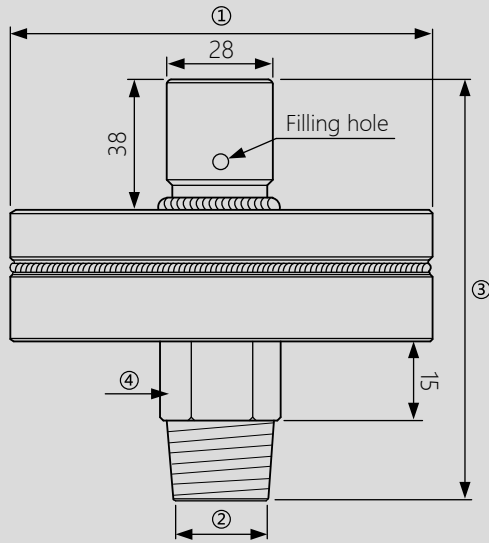
Dimensions



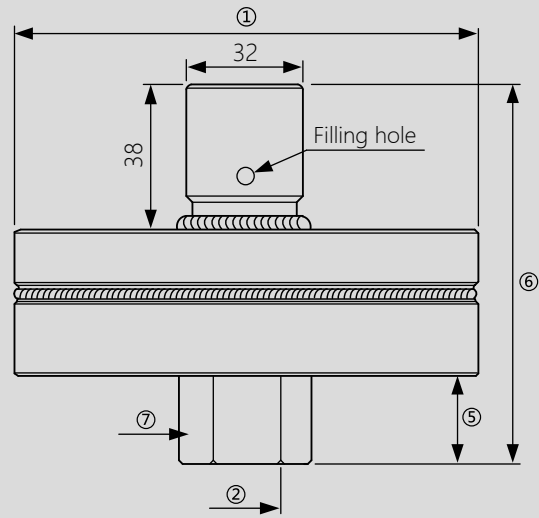
Dimensions (mm)				
①	②	③	④	⑤
\varnothing 70 \varnothing 90	1/4"	64	29	22
	3/8"	66	31	22
	1/2"	69	34	30
	3/4"	71	36	32
	1"	74	39	38

Dimensions

Male+Welded with instrument



Female+Welded with instrument

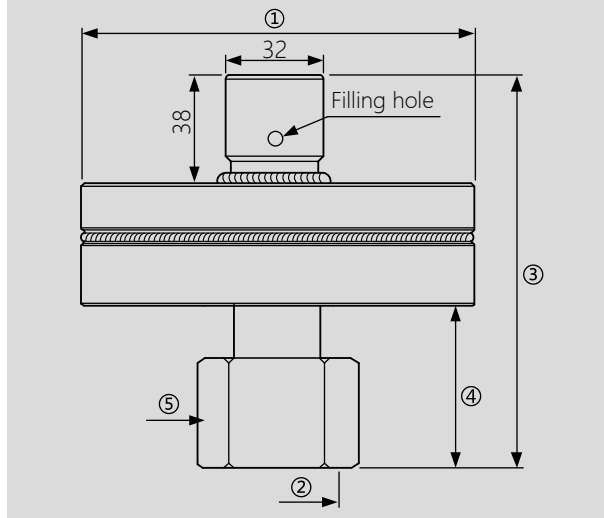


Dimensions (mm)

①	②	③	④	⑤	⑥	⑦
φ 70 φ 90	1/4"	88	22	15	75	22
	3/8"	90	22	15	75	22
	1/2"	93	22	15	75	30
	3/4"	95	27	20	80	32
	1"	96	35	21	81	38

Dimensions

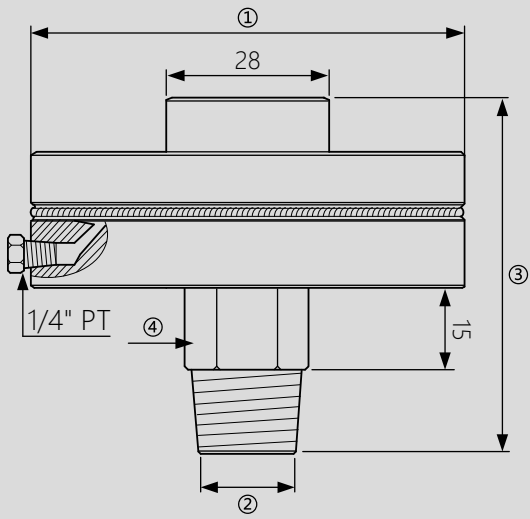
Union nut and loose threaded+ Welded with instrument



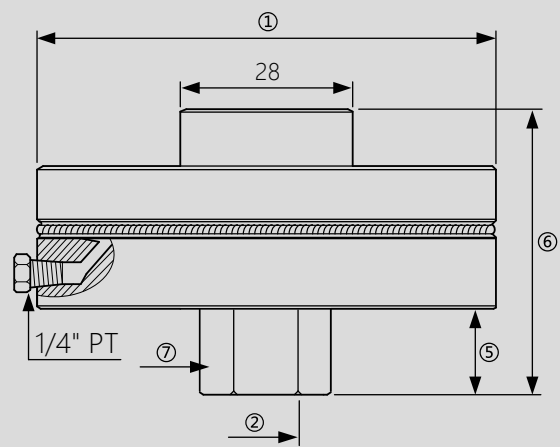
Dimensions (mm)				
①	②	③	④	⑤
φ 70 φ 90	1/4"	89	29	22
	3/8"	91	31	22
	1/2"	94	34	30
	3/4"	96	36	32
	1"	99	39	38

Dimensions

Male+Flush port



Female+Flush port

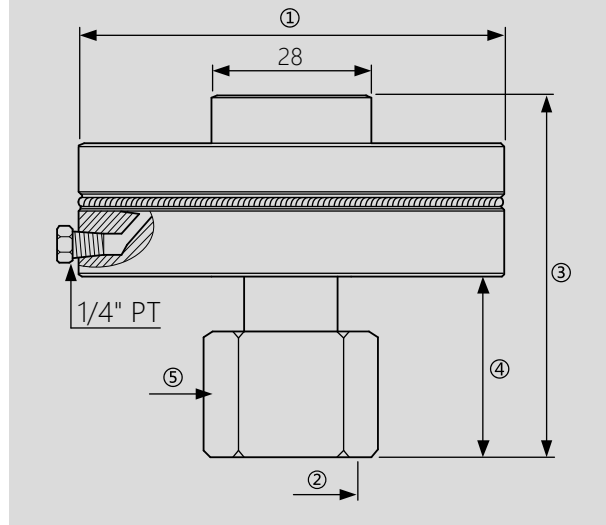


Dimensions (mm)

①	②	③	④	⑤	⑥	⑦
\varnothing 70 \varnothing 90	1/4"	78	22	15	65	22
	3/8"	80	22	15	65	22
	1/2"	83	22	15	65	30
	3/4"	85	27	20	70	32
	1"	86	35	21	71	38

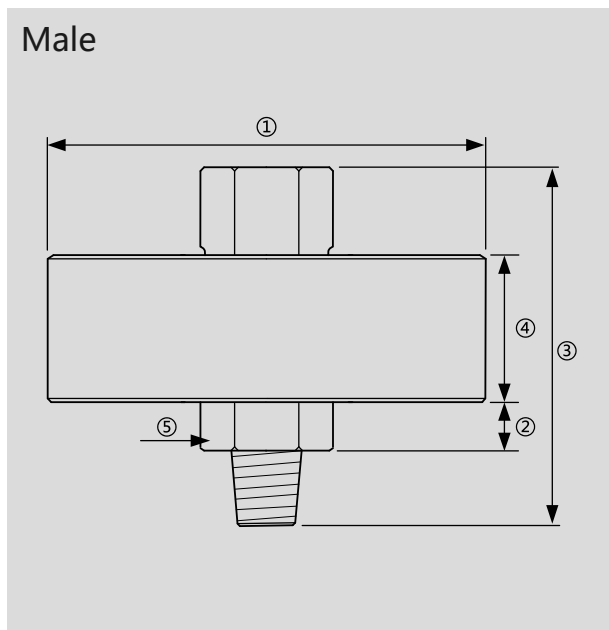
Dimensions

Union nut and loose threaded+ Flush port



Dimensions (mm)				
①	②	③	④	⑤
φ 70 φ 90	1/4"	79	29	22
	3/8"	81	31	22
	1/2"	84	34	30
	3/4"	86	36	32
	1"	89	39	38

Dimensions



Dimensions (mm)				
①	②	③	④	⑤
$\varnothing 82$	19.5	80	22.7	24

※ Ordering information

Model / Diameter / Process connection / Material / Connection location of pressure gauge / Nominal size / Scale range / Options

For any changes to the specifications of this catalogue, the latest version shall prevail.

SIN JIA ENTERPRISE COMPANY LIMITED

TEL:+886-2-2550-4512

FAX:+886-2-2550-4510

info@sinjiagauge.com

www.sj-gauge.com

No.3, Ln. 71, Chifeng St., Datong Dist., Taipei City 103, Taiwan



4ManPro

*Elements For
Manufacturing Processes*



4ManPro
Mexico Branch Office

Elements For Manufacturing Processes

MEXICO BRANCH OFFICE

Roberto Diaz No. 401
Ciudad Industrial
Aguascalientes, Ags.
México
20290

4ManPro@4ManPro.com
(449) 171 3420
www.4ManPro.com/SPA/



USA BRANCH OFFICE

Pennzoil Place
700 Milam
Suite 1300
Houston, Tx, USA
77002

4ManPro-USA@4ManPro.com
+1 (832) 871 5022
www.4ManPro.com/ENG/

*Elements For
Manufacturing Processes*

For any changes to the specifications of this catalogue , the latest version shall prevail.

Copyright © 12/2019 by SIN JIA ENTERPRISE COMPANY LIMITED. All rights reserved.

