





Stainless Steel Pressure Gauge, High Temperature / Boiler

Model: PRST



PRODUCT DESCRIPTION



Use copper alloy (or 304 SS) wetted parts for high-temperature applications



Design for plants and equipment where measured values must be read from a distance



Referred to as "Boiler Gauge " or " Steam Gauge" in the industry

PRODUCT SPECIFICATION

Nominal size

8", 10"

Scale ranges

0 ... 1 bar to 0 ... 1000 bar,
or other equivalent units of pressure,
vacuum or compound

Accuracy

±1.6% F.S.

Process connection

1/4, 3/8, 1/2
PT, G, NPT

Case

Iron: with black anti-corrosion coating

Window

Flat instrument glass

Dial

Aluminum alloy (single or double scale)

Pointer

Black aluminum alloy

Bourdon tube

Copper alloy, 304 SS

Movement

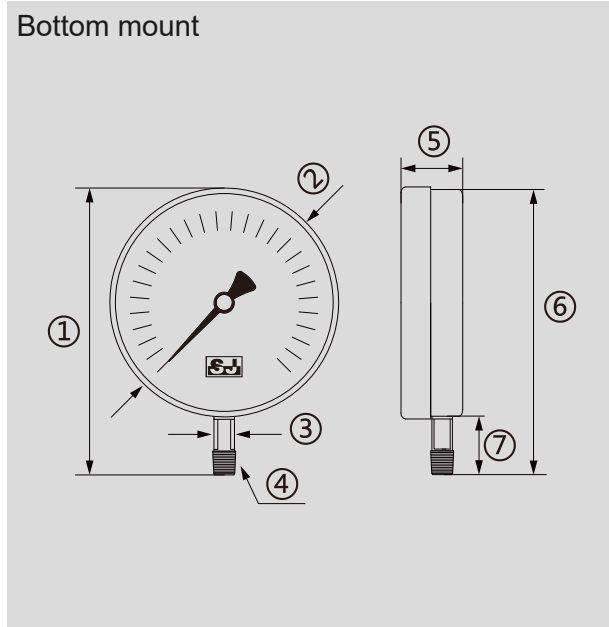
Copper alloy

Medium temperature

Max. 200°C

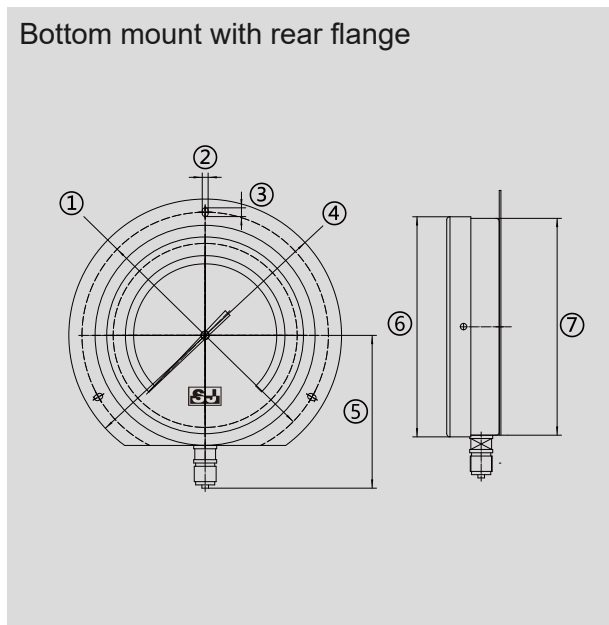
DIMENSIONS

Bottom mount

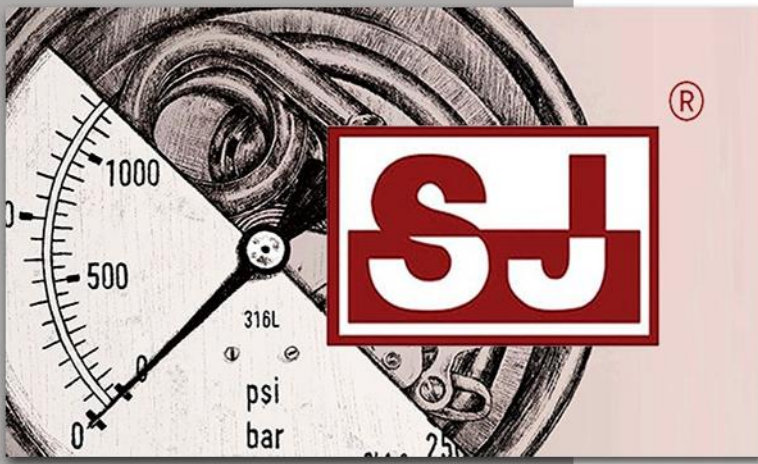


Dimension (mm)							
NS	①	②	③	④	⑤	⑥	⑦
8"	238	199	S19	1/2 PT	47	238	41
10"	295	250	17	1/2 PT	48	295	48

Bottom mount with rear flange



Dimension (mm)							
NS	①	②	③	④	⑤	⑥	⑦
8"	225	5.4	8	249	140	201	198



rsIMMA

Elementos For Manufacturing Processes



MEXICO BRANCH OFFICE

Roberto Diaz No. 401
Ciudad Industrial
Aguascalientes, Ags.
México
20290

4ManPro@4ManPro.com

+52 (449) 171 3420
www.4ManPro.com/SPA/

USA BRANCH OFFICE

708 Main St.
10th Floor
Houston, Tx, USA
77002

4ManPro_USA@4ManPro.com

+1 (832) 871 5022
www.4ManPro.com/ENG/