





# Stainless Steel Pressure Gauge, Stainless Steel

Model: PRSS



## PRODUCT DESCRIPTION



For gaseous and liquid pressure media that are not highly viscous or crystallizing



Liquid-filled type available to avoid hard observation from pointer vibration



Ideal for food and beverage, or other process engineering industries

## PRODUCT SPECIFICATION

### Connection location

Bottom mount, back mount, center back mount, lower back mount, center back mount with U-clamp, with/without flange

### Nominal size

2.5", 3", 4"

### Scale ranges

0 ... 1 kg/cm<sup>2</sup> to 0 ... 1000 kg/cm<sup>2</sup>, or other equivalent units of pressure, vacuum, or compound

### Accuracy

±1.6% F.S.

±2.5% F.S. (vacuum, compound)

### Process connection

316L SS

1/8, 1/4, 3/8, 1/2

PT, G, NPT, M

### Case/Ring

304 SS

### Window

Polycarbonate (standard), glass

### Dial

Aluminum alloy, black scale on white

### Pointer

Black aluminum alloy

### Movement

Copper alloy

### Bourdon tube

316L SS

### Filling liquid

Without, glycerine, silicone oil

### Accessories (option)

2.5", 4": adjustable set pointer, drag pointer

### Pressure limitation

Steady: full scale value

Fluctuating: 0.9 x full scale value

### Ambient temperature

-40°C ... 60°C

(unfilled or silicone oil filled)

-20°C ... 60°C

(glycerine filled)

### Medium temperature

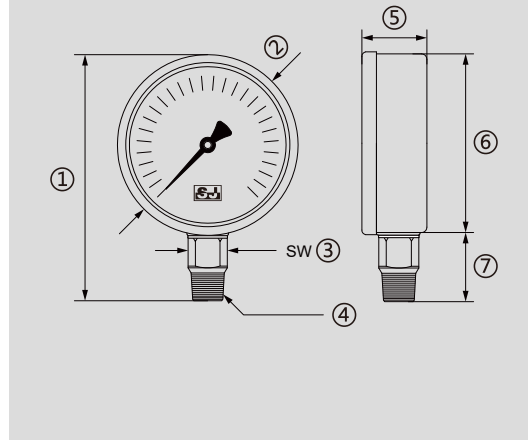
-40°C ... 150°C (unfilled)

-20°C ... 100°C (glycerine filled)

-40°C ... 100°C (silicone oil filled)

## DIMENSIONS

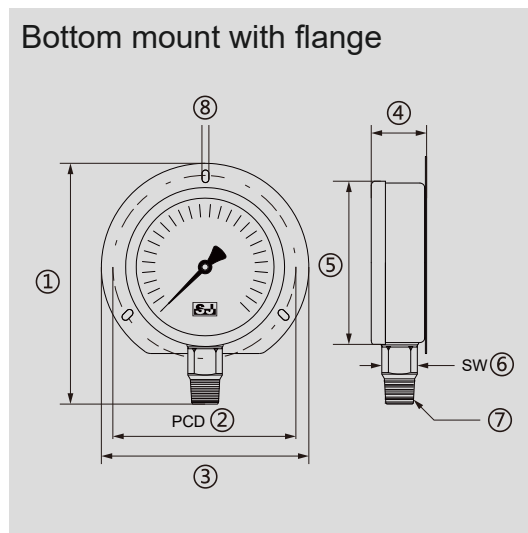
### Bottom mount



#### Dimensions (mm)

NS	①	②	③	④	⑤	⑥	⑦
2.5"	92	71	14	1/4	34	63	26
3"	118.2	85.2	18	3/8	32	77.5	30
4"	140	110	22	1/2	45	98.5	38

### Bottom mount with flange

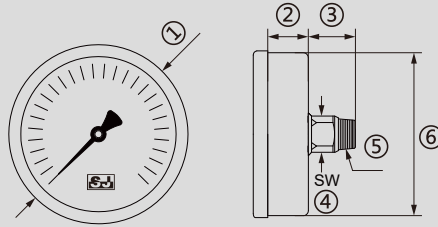


#### Dimensions (mm)

NS	①	②	③	④	⑤	⑥	⑦	⑧
2.5"	107	82.4	99.5	34	71	14	1/4	6*4.4
3"	111.5	94	106.1	33	82.5	18	3/8	6*7.5
4"	150.5	117	130	46.5	110	22	1/2	4*3

## DIMENSIONS

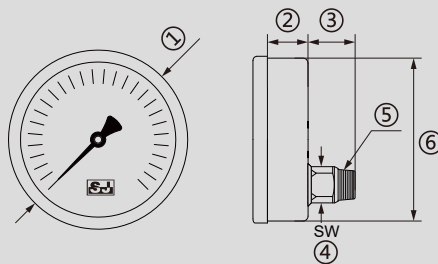
### Center back mount



#### Dimensions (mm)

NS	①	②	③	④	⑤	⑥
2.5"	71	25	26	14	1/4	63.5
3"	85.1	32	30	18	3/8	77.5
4"	110	28	38	22	1/2	98.5

### Lower back mount

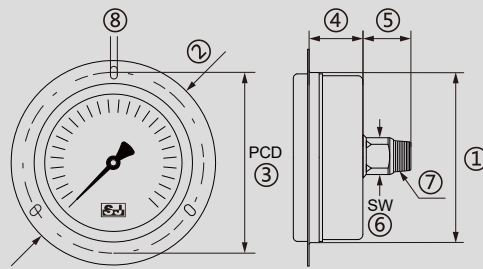


#### Dimensions (mm)

NS	①	②	③	④	⑤	⑥
4"	110	28	38	22	1/2	98.5

## DIMENSIONS

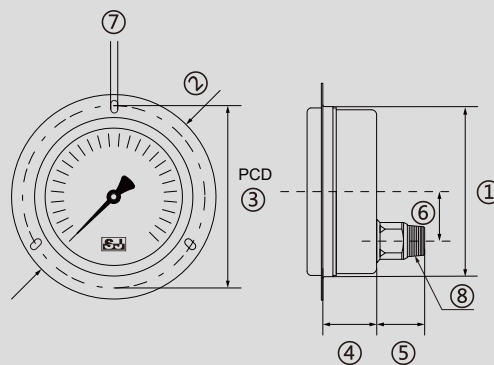
Center back mount with flange



Dimensions (mm)

NS	①	②	③	④	⑤	⑥	⑦	⑧
2.5"	65	87.5	80.5	25	26	14	1/4	4.5*3
3"	80	110	96	23	30	18	1/4	4.5*3
4"	101	132.5	117	28	38	22	1/2	6*3

Lower back mount with flange

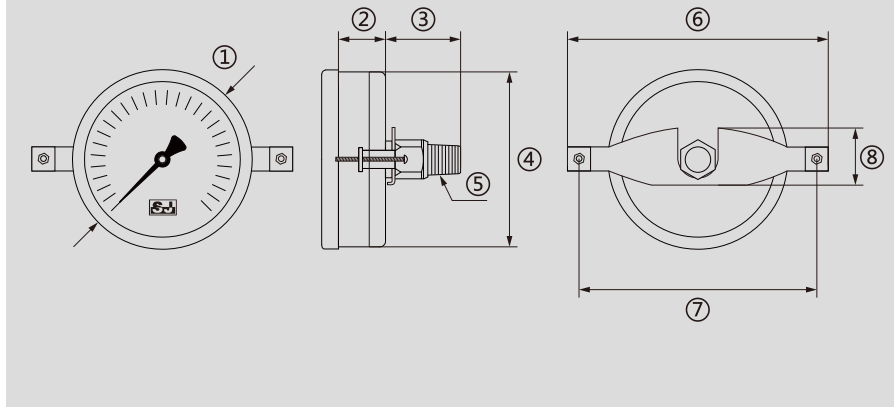


Dimensions (mm)

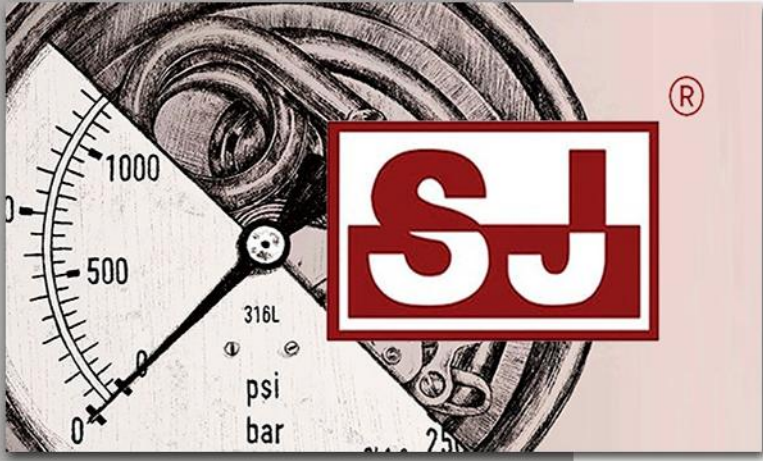
NS	①	②	③	④	⑤	⑥	⑦	⑧
4"	101	132.5	117	30	35	22.5	8*3	1/2

## DIMENSIONS

Center back mount with U-clamp



Dimensions (mm)								
NS	①	②	③	④	⑤	⑥	⑦	⑧
2.5"	71	25	26	63.5	1/4	96	88	28.5
3"	85.1	32	35	80	1/4	135	127	44
4"	110	28	38	98.5	1/2	135	127	44



# rsIMMA

*Elementos For Manufacturing Purposes*



## **MEXICO BRANCH OFFICE**

Roberto Diaz No. 401  
Ciudad Industrial  
Aguascalientes, Ags.  
México  
20290

[4ManPro@4ManPro.com](mailto:4ManPro@4ManPro.com)

+52 (449) 171 3420

[www.4ManPro.com/SPA/](http://www.4ManPro.com/SPA/)

## **USA BRANCH OFFICE**

708 Main St.  
10<sup>th</sup> Floor  
Houston, Tx, USA  
77002

[4ManPro\\_USA@4ManPro.com](mailto:4ManPro_USA@4ManPro.com)

+1 (832) 871 5022

[www.4ManPro.com/ENG/](http://www.4ManPro.com/ENG/)