





# Low Pressure Gauge with Stainless Steel Case

Model: PRSM



## PRODUCT DESCRIPTION



For gaseous or liquid pressure media that are compatible with copper alloy parts, except liquid



Zero-point correction available for troubleshooting



Stainless steel case — other different materials available: PRM, PRSSM.TU

## PRODUCT SPECIFICATION

### Connection location

Bottom mount, back mount

### Nominal size

2.5", 3", 4"

### Scale ranges

0 ... 300 mmHg to 0 ... 5000 mmHg,  
or other equivalent units of pressure,  
vacuum or compound

### Accuracy

ASME B40.1 grade B  $\pm 3/2/3\%$

### Process connection

Chromium-plated copper  
1/4, 3/8, 1/2  
PT, G, NPT

### Case/Ring

304 SS

### Window

2.5": acrylic  
3", 4": glass

### Dial

Aluminum alloy, black scale on white

### Pointer

Black aluminum alloy

### Movement

Copper alloy

### Capsule element

Copper alloy

### Medium temperature

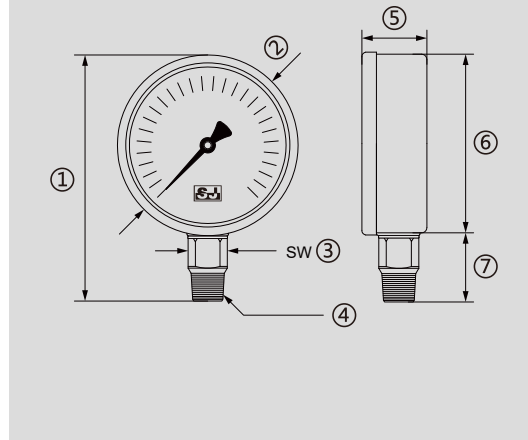
-20°C ... 60°C

### Pressure limitation

Steady: 0.75 x full-scale value  
Fluctuating: 0.6 x full-scale value

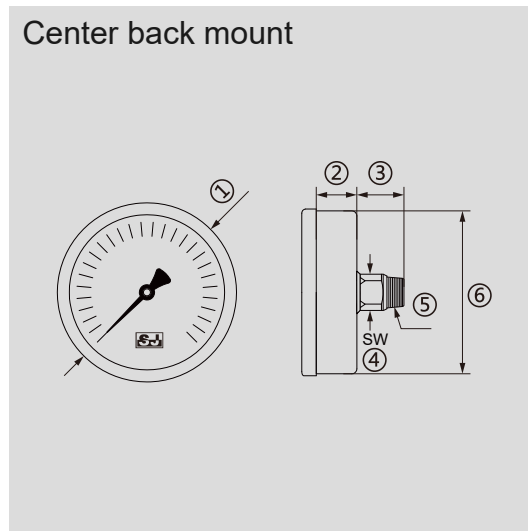
## DIMENSIONS

### Bottom mount



Dimensions (mm)							
NS	①	②	③	④	⑤	⑥	⑦
2.5"	90	66	14	1/4	45	66	21
3"	110	79	17	1/4	55	79	32
4"	137	111	22	1/2	43	132	33

### Center back mount



Dimensions (mm)						
NS	①	②	③	④	⑤	⑥
2.5"	72	33	13	14	1/2	65



# rsIMMA

*Elementos For Manufacturing Processes*



## **MEXICO BRANCH OFFICE**

Roberto Diaz No. 401  
Ciudad Industrial  
Aguascalientes, Ags.  
México  
20290

[4ManPro@4ManPro.com](mailto:4ManPro@4ManPro.com)  
+52 (449) 171 3420  
[www.4ManPro.com/SPA/](http://www.4ManPro.com/SPA/)

## **USA BRANCH OFFICE**

708 Main St.  
10<sup>th</sup> Floor  
Houston, Tx, USA  
77002

[4ManPro\\_USA@4ManPro.com](mailto:4ManPro_USA@4ManPro.com)  
+1 (832) 871 5022  
[www.4ManPro.com/ENG/](http://www.4ManPro.com/ENG/)