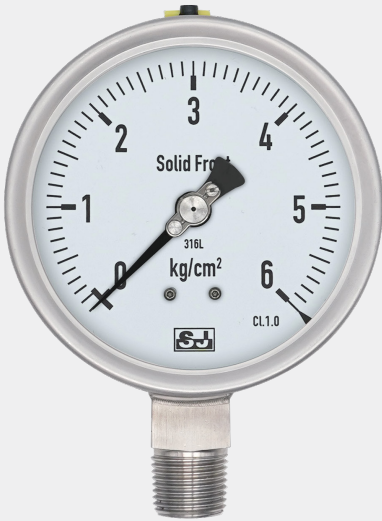






Stainless Steel Pressure Gauge with Solid Baffle Wall, Safety

Model: PRSF



PRODUCT DESCRIPTION



A solid baffle wall between the measuring system and front dial to protect the operator



When experiencing failure, the case is equipped with a blow-out back to eject dangerous media out the back of the case safely

PRODUCT SPECIFICATION

Nominal size

4"

Scale ranges

0 ... 0.6 bar to 0 ... 1000 bar
or other equivalent units of pressure,
vacuum or compound

Accuracy

±1.0% F.S. ,

Process connection

316L SS
1/4, 3/8, 1/2
PT, G, NPT

Case

304 stainless steel, 316 stainless steel,
with solid baffle wall and blow-out back

Window

Safety glass

Dial

Aluminum alloy, black scale on white

Pointer

Black aluminum alloy,
adjustable pointers

Filling liquid

Without, glycerine, silicone oil

Ambient temperature

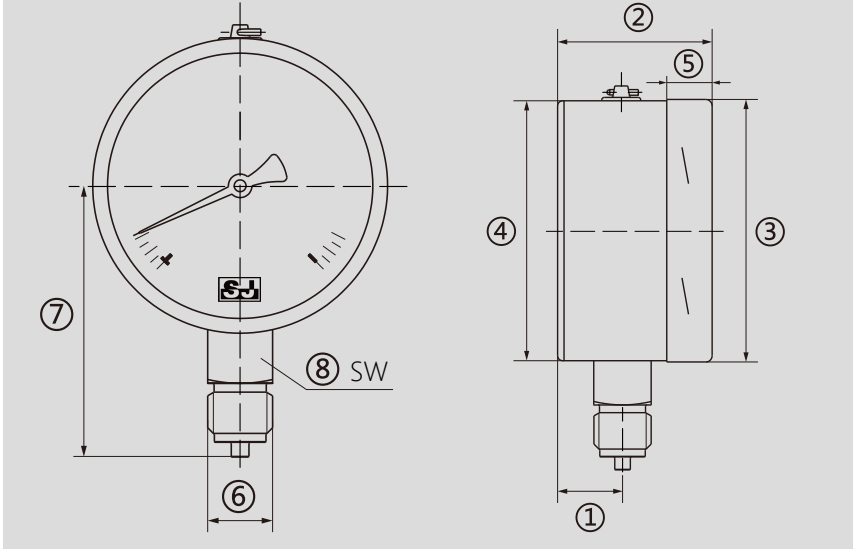
40°C ... 60°C (non-liquid-filled)
-20°C ... 60°C (liquid-filled)

Medium temperature

≤ 200°C (non-liquid-filled)
≤ 100°C (liquid-filled)

DIMENSIONS

Bottom mount



Dimensions (mm)

NS	①	②	③	④	⑤	⑥	⑦	⑧
4"	25	59.5	101	100	17	G1/2B	87	22



rsIMMA

Elementos For Manufacturing Purposes



MEXICO BRANCH OFFICE

Roberto Diaz No. 401
Ciudad Industrial
Aguascalientes, Ags.
México
20290

4ManPro@4ManPro.com

+52 (449) 171 3420

www.4ManPro.com/SPA/

USA BRANCH OFFICE

708 Main St.
10th Floor
Houston, Tx, USA
77002

4ManPro_USA@4ManPro.com

+1 (832) 871 5022

www.4ManPro.com/ENG/