





Stainless Steel Pressure Gauge, Stainless Steel Case

Model: PRS



PRODUCT DESCRIPTION

▼
For liquid or gaseous pressure media that will not attack copper alloy parts

▼
Prepared for liquid filling for applications with high dynamic pressure loads or vibrations

▼
Suitable for pumps, compressors, hydraulics or other indoor and outdoor applications

PRODUCT SPECIFICATION

Connection location

Bottom mount, back mount, center back mount, lower back mount, center back mount with U-clamp, with/without flange

Nominal size

1.5", 2", 2.5", 3", 4"

Scale ranges

0 ... 1 kg/cm² to 0 ... 1000 kg/cm², or other equivalent units of pressure, vacuum, or compound

Accuracy

1.5", 2": ±2% F.S.
2.5", 3", 4": ±1.6% F.S.
2.5", 3", 4": ±2.5% F.S. (vacuum, compound)

Process connection

Brass or chromium plated brass
1/8, 1/4, 3/8, 1/2
PT, G, NPT, M

Case/Ring

304 SS

Window

Polycarbonate (standard), glass

Dial

Aluminum alloy, black scale on white

Pointer

Black aluminum alloy

Movement

Copper alloy

Bourdon tube

Copper alloy

Filling liquid

Without, glycerine, silicone oil

Accessories (option)

2.5", 4": adjustable set pointer, drag pointer

Pressure limitation

Steady: full scale value
Fluctuating: 0.9 x full scale value

Ambient temperature

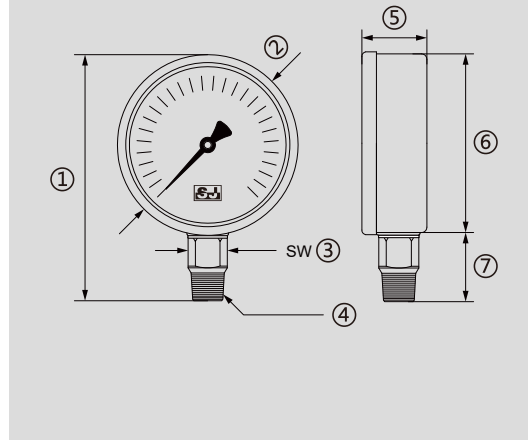
-40°C ... 60°C
(unfilled or silicone oil filled)
-20°C ... 60°C
(glycerine filled)

Medium temperature

60°C (Max.)

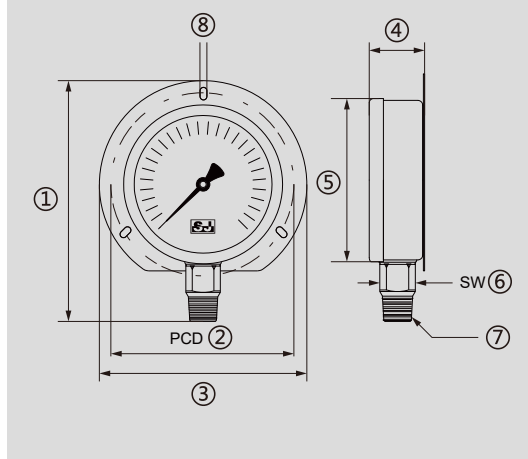
DIMENSIONS

Bottom mount



Dimensions (mm)							
NS	①	②	③	④	⑤	⑥	⑦
1.5"	60	48	12	1/8	28	41.8	16
2"	78.5	57	14	1/4	29.5	50.5	25
2.5"	92	71	14	1/4	34	63	26
3"	118.2	85.2	18	3/8	32	77.5	30
4"	140	110	22	1/2	45	98.5	38

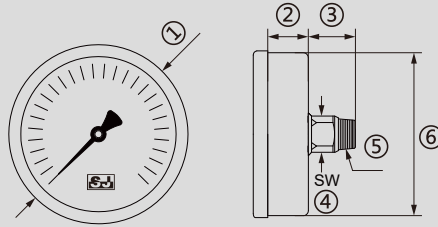
Bottom mount with flange



Dimensions (mm)								
NS	①	②	③	④	⑤	⑥	⑦	⑧
2.5"	107	82.4	99.5	34	71	14	1/4	6*4.4
3"	111.5	94	106.1	33	82.5	18	3/8	6*7.5
4"	150.5	117	130	46.5	110	22	1/2	4*3

DIMENSIONS

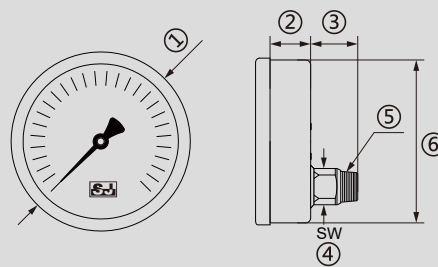
Center back mount



Dimensions (mm)

NS	①	②	③	④	⑤	⑥
1.5"	48	22	16	12	1/8	41.8
2"	57	22	21	14	1/4	50.5
2.5"	71	25	26	14	1/4	63.5
3"	85.1	32	30	18	3/8	77.5
4"	110	28	38	22	1/2	98.5

Lower back mount

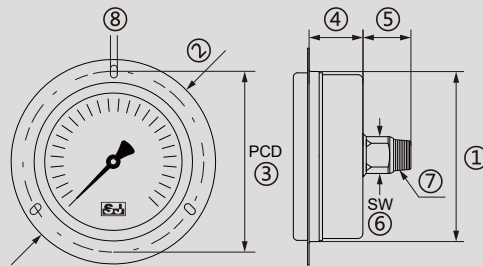


Dimensions (mm)

NS	①	②	③	④	⑤	⑥
4"	110	28	38	22	1/2	98.5

DIMENSIONS

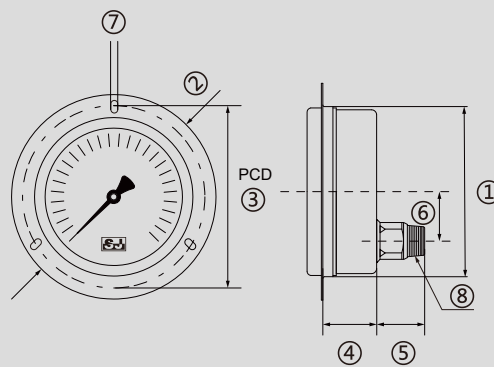
Center back mount with flange



Dimensions (mm)								
NS	①	②	③	④	⑤	⑥	⑦	⑧
1.5"	44	62.7	55.5	22	16	12	1/8	4*3
2"	52.5	71.5	64.5	21	22	14	1/4	4*4
2.5"	65	87.5	80.5	25	26	14	1/4	4.5*3
3"	80	110	96	23	30	18	1/4	4.5*3
4"	101	132.5	117	28	38	22	1/2	6*3

①The width of the overlap between the edge and the shell is included.

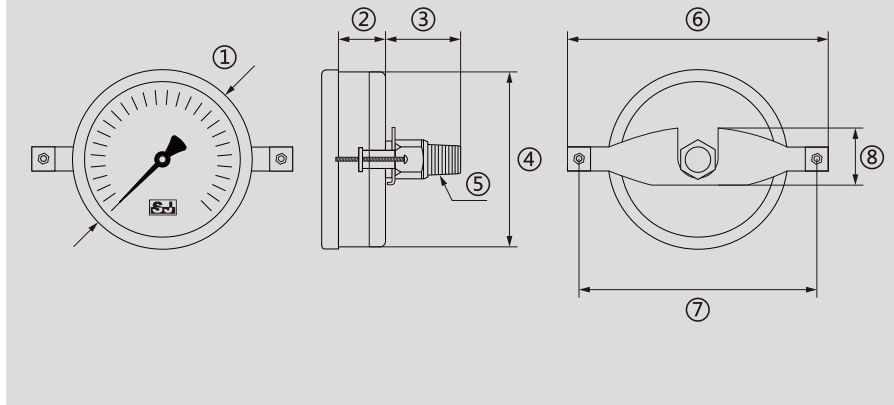
Lower back mount with flange



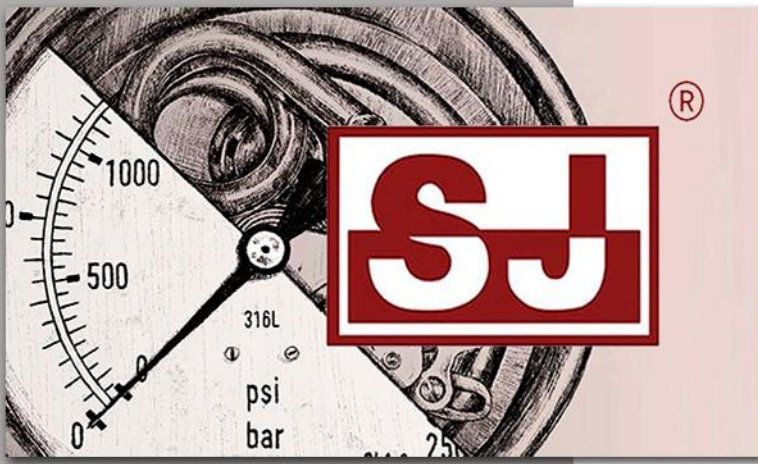
Dimensions (mm)								
NS	①	②	③	④	⑤	⑥	⑦	⑧
4"	101	132.5	117	30	35	22.5	8*3	1/2

DIMENSIONS

Center back mount with U-clamp



Dimensions (mm)								
NS	①	②	③	④	⑤	⑥	⑦	⑧
1.5"	48	22	21	41.8	1/4	70	62	27.5
2"	57	22	21	50.5	1/4	80	72	28
2.5"	71	25	26	63.5	1/4	96	88	28.5
3"	85.1	32	35	80	1/4	135	127	44
4"	110	28	38	98.5	1/2	135	127	44



rsIMMA

Elementos For Manufacturing Purposes



MEXICO BRANCH OFFICE

Roberto Diaz No. 401
Ciudad Industrial
Aguascalientes, Ags.
México
20290

4ManPro@4ManPro.com

+52 (449) 171 3420
www.4ManPro.com/SPA/

USA BRANCH OFFICE

708 Main St.
10th Floor
Houston, Tx, USA
77002

4ManPro_USA@4ManPro.com

+1 (832) 871 5022
www.4ManPro.com/ENG/