





Stainless Steel Pressure Gauge with Phenolic Case, Process Industry

Model: PRPC



PRODUCT DESCRIPTION



The phenolic case is resistant to heat and high acid and also provides good insulation



Solid barrier on the front and pressure relief system on the back for safer measuring

PRODUCT SPECIFICATION

Connection location

Bottom mount, back mount

Nominal size

4.5"

Scale ranges

0 ... 6 kPa to 0 ... 100 MPa,
or other equivalent units of pressure,
vacuum or compound

Accuracy

±1.0% F.S. ,
±1.6% F.S. ,
±2.5% F.S.

Process connection

316L SS
1/4, 3/8, 1/2
PT, G, NPT

Case

Phenol, with a solid baffle wall (solid front) and blow-out back

Window

Safety glass

Dial

Aluminum alloy, black scale on white

Pointer

Black aluminum alloy

Movement

304 SS

Bourdon tube

316L SS

Accessories (option)

Silicone dampened movement

Ambient temperature

-20 °C ... 60 °C

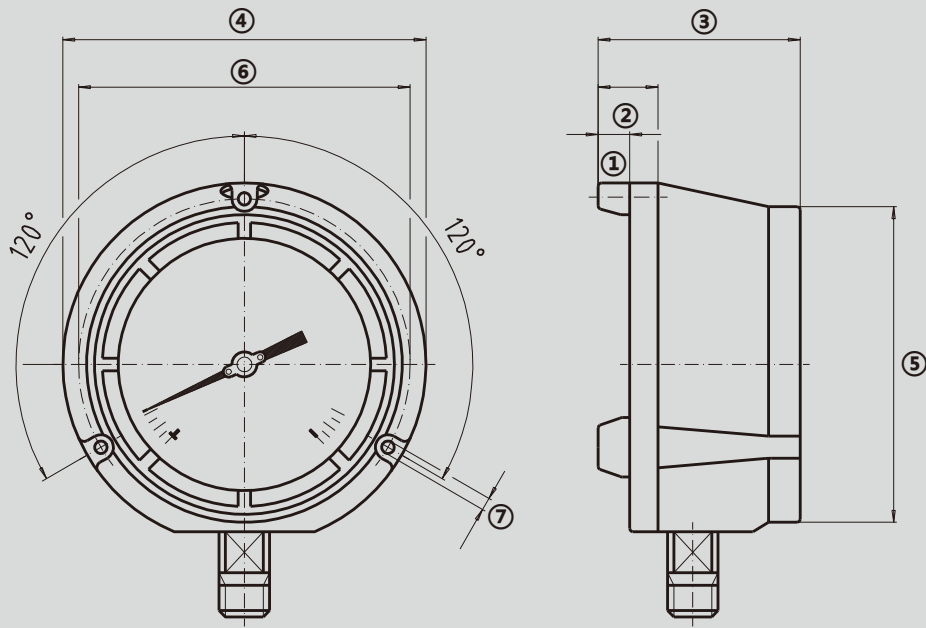
Medium temperature

-20 °C ... 100 °C

The product images displayed in the catalog are illustrative, and the actual products will be customized to your requirements.

DIMENSIONS

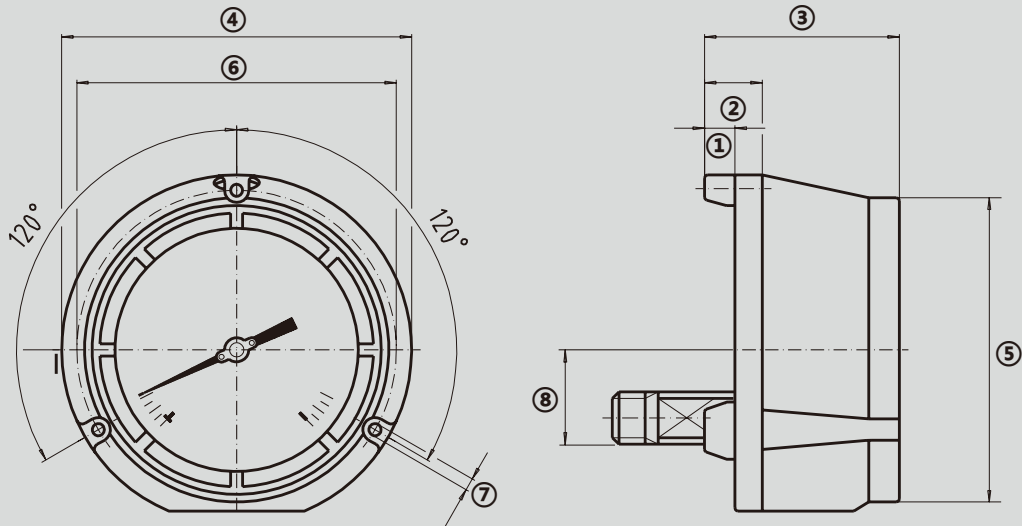
Bottom mount



Dimensions (mm)

NS	①	②	③	④	⑤	⑥	⑦
4.5"	12.5	25	84	148	128	136.5	6.3

Back mount



Dimensions(mm)

NS	①	②	③	④	⑤	⑥	⑦	⑧
4.5"	12.5	25	84	148	128	136.5	6.3	28.5



rsIMMA

Elementos For Manufacturing Processes



MEXICO BRANCH OFFICE

Roberto Diaz No. 401
Ciudad Industrial
Aguascalientes, Ags.
México
20290

4ManPro@4ManPro.com
+52 (449) 171 3420
www.4ManPro.com/SPA/

USA BRANCH OFFICE

708 Main St.
10th Floor
Houston, Tx, USA
77002

4ManPro_USA@4ManPro.com
+1 (832) 871 5022
www.4ManPro.com/ENG/