





Low Pressure Gauge, Iron Case

Model: PRM



PRODUCT DESCRIPTION



For dry and non-aggressive pressure media, such as gas



Zero-point correction available



Iron- or chromium-plated and stainless steel:
PRSM, PRSSM.TU

PRODUCT SPECIFICATION

Connection location

Bottom mount, back mount, center back mount, lower back mount, center back mount with U-clamp, with/without flange

Pressure limitation

Steady: 0.75 x full-scale value
Fluctuating: 0.6 x full-scale value

Nominal size

2.5", 3", 4"

Scale ranges

0 ... 300 mmAq to 0 ... 5000 mmAq,
or other equivalent units of pressure,
vacuum or compound

Accuracy

ASME B40.1 Grade B $\pm 3/2/3\%$

Process connection

Chromium - plated copper
1/4, 3/8, 1/2
PT, G, NPT

Case/Ring

Iron
2.5" Bottom mount: Black plating
2.5" Back mount: All chromium-plated case, black iron case, and chromium-plated bayonet ring
3", 4": All chromium plated case

Window

2.5": acrylic
3", 4": glass

Dial

Aluminum alloy, black scale on white

Pointer

Black aluminum alloy

Movement

Copper alloy

Capsule element

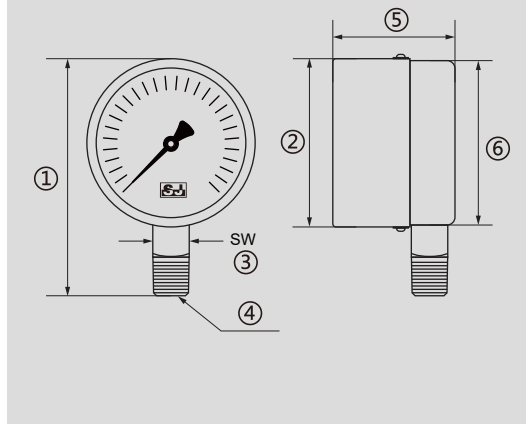
Copper alloy

Medium temperature

-20°C ... 60°C

DIMENSIONS

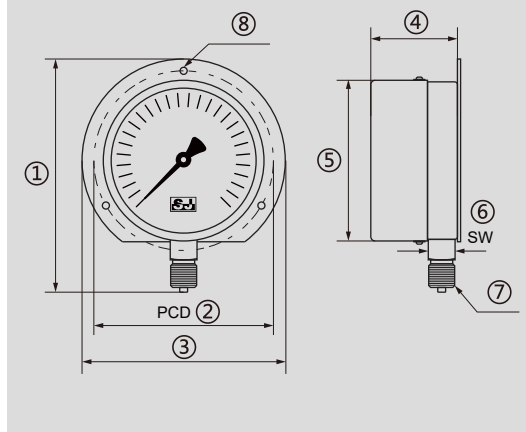
Bottom mount



Dimensions (mm)

NS	①	②	③	④	⑤	⑥
2.5"	86.6	65.5	14	1/4	47	65.3
3"	110	78.5	17	3/8	56.7	76.7
4"	135	102	17	3/8	54.5	100

Bottom mount with flange

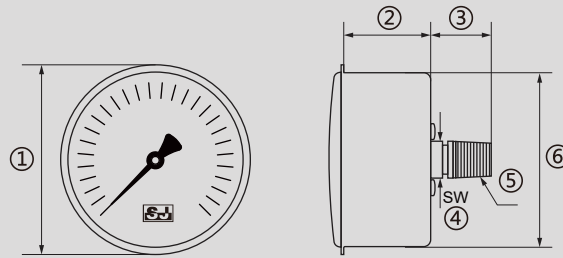


Dimensions (mm)

NS	①	②	③	④	⑤	⑥	⑦	⑧
4"	147	114	129	55	102	17	3/8	Φ4.5

DIMENSIONS

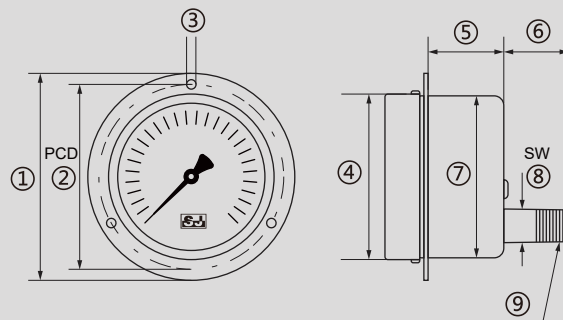
Center back mount with flange



Dimensions (mm)

NS	①	②	③	④	⑤	⑥
2.5"	72	33.5	22.5	14	1/4	63
4"	111	31	29	22	1/2	99.5

Lower back mount with flange

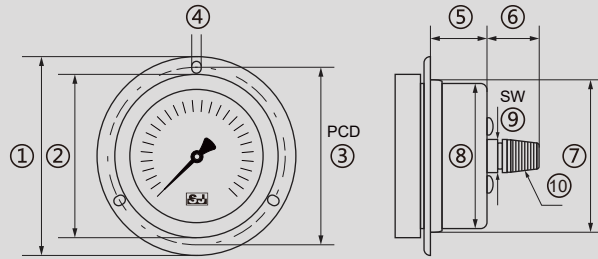


Dimensions (mm)

NS	①	②	③	④	⑤	⑥	⑦	⑧	⑨
3"	98.4	87.9	Φ4.5	78.7	36	31	77	16	1/4

DIMENSIONS

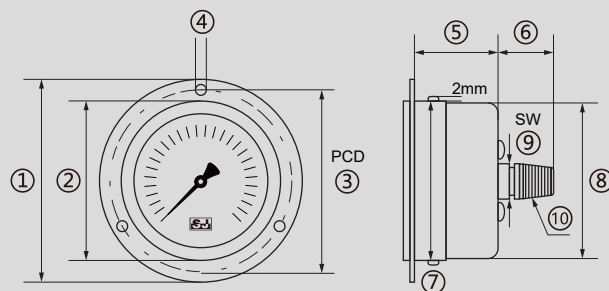
Center back mount with flange
(all chromium plated case)



Dimensions (mm)

NS	①	②	③	④	⑤	⑥	⑦	⑧	⑨	⑩
2.5"	84	69	75	4*5	23.9	22	64.4	61.3	14	1/4
3"	104.3	84.6	91.8	4.4*6.5	29	27.5	78	76	17	3/8
4"	131.5	111	118	6*7.5	27	24	103	99.5	17	3/8

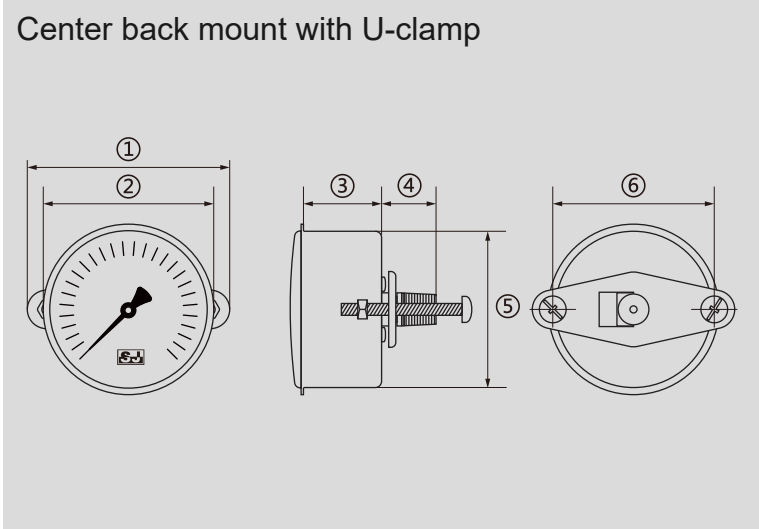
Center back mount with flange
(black iron case and chromium plated bayonet ring)



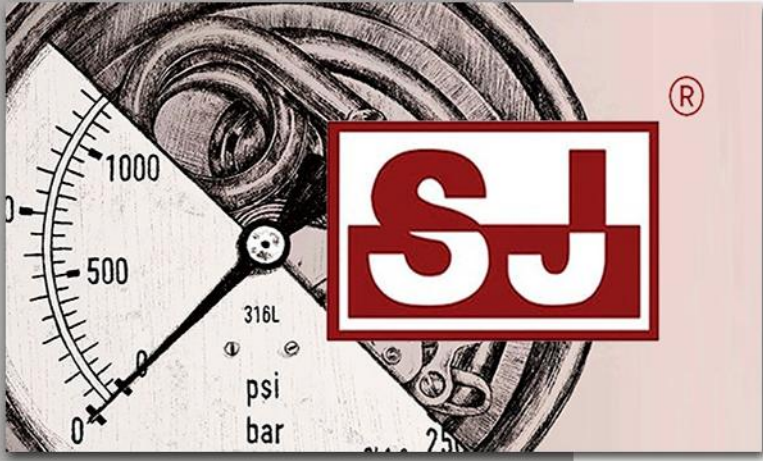
Dimensions (mm)

NS	①	②	③	④	⑤	⑥	⑦	⑧	⑨	⑩
2.5"	80.3	63.1	72	4.3	33.1	22	63.1	61.6	14	1/4

DIMENSIONS



Dimensions (mm)						
NS	①	②	③	④	⑤	⑥
2.5"	85.5	72	33.5	22.5	63	62



rsIMMA

Elementos For Manufacturing Processes



MEXICO BRANCH OFFICE

Roberto Diaz No. 401
Ciudad Industrial
Aguascalientes, Ags.
México
20290

4ManPro@4ManPro.com

+52 (449) 171 3420

www.4ManPro.com/SPA/

USA BRANCH OFFICE

708 Main St.
10th Floor
Houston, Tx, USA
77002

4ManPro_USA@4ManPro.com

+1 (832) 871 5022

www.4ManPro.com/ENG/