





Differential Pressure Gauge, Mini

Model: PRMDS



PRODUCT DESCRIPTION

- ▼ Small size with simple construction
- ▼ Removable lens and rear-housing
- ▼ Used in air conditioners, medical respiratory equipment and filters

PRODUCT SPECIFICATION

Nominal size

2.5"

Scale ranges

0 ... 12 mmH₂O to 0 ... 3500 mmH₂O,
or other equivalent units of pressure or
compound

Accuracy

±5% F.S.

Process connection

1/8 NPT

Case

Glass-filled nylon

Window

PC

Pressure limitation

30 psi

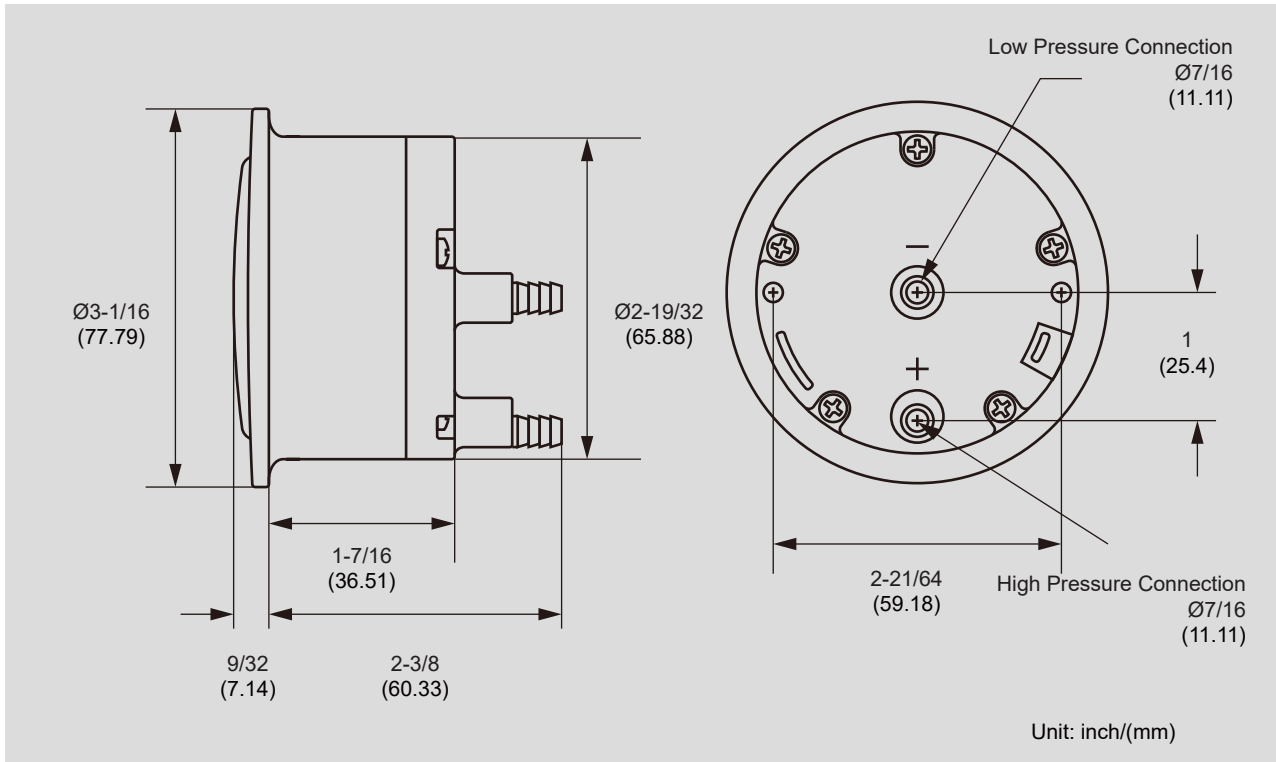
Medium temperature

-6°C ... 49°C

Accessories

U-clamp, adjustable set pointer

DIMENSIONS





rsIMMA

Elementos For Manufacturing Processes



MEXICO BRANCH OFFICE

Roberto Diaz No. 401
Ciudad Industrial
Aguascalientes, Ags.
México
20290

4ManPro@4ManPro.com
+52 (449) 171 3420
www.4ManPro.com/SPA/

USA BRANCH OFFICE

708 Main St.
10th Floor
Houston, Tx, USA
77002

4ManPro_USA@4ManPro.com
+1 (832) 871 5022
www.4ManPro.com/ENG/