





Differential Pressure Gauge, Low Differential Pressure

Model: PRMD



PRODUCT DESCRIPTION

- ▼ Measures the small pressure difference between two pressure sources
- ▼ Only suitable for measuring gases, can not measure liquid
- ▼ Used in hospitals, laboratories, factories, gas stations and storage tanks
- ▼ Same specifications as Series 2000 magnehelic®

PRODUCT SPECIFICATION

- Nominal size**
4.5"
- Scale ranges**
0 ... 3 mmH₂O to 0 ... 5000 mmH₂O,
or other equivalent units of pressure or compound
- Accuracy**
±2% F.S. to ±4% F.S., upon scale range
- Process connection**
1/8 NPT (female)
- Case/Ring**
Die-cast aluminum
- Window**
Acrylic
- Accessories**
Screws, connection fittings
- Accessories (option)**
Round back panel,
stainless steel flush mount bracket A,
stainless steel flush mount bracket B
- Pressure limitation**
-20 inHg ... 15 psi
- Medium temperature**
-7°C ... 60°C

ACCESSORIES



▼ Accessory kits (standard)

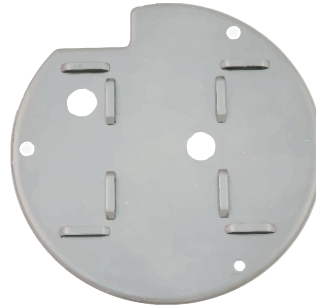
Screws, connection fittings

ACCESSORIES (OPTION)



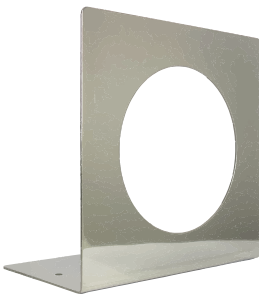
▼ Accessories

Stainless steel flush mount
bracket A



▼ Accessories

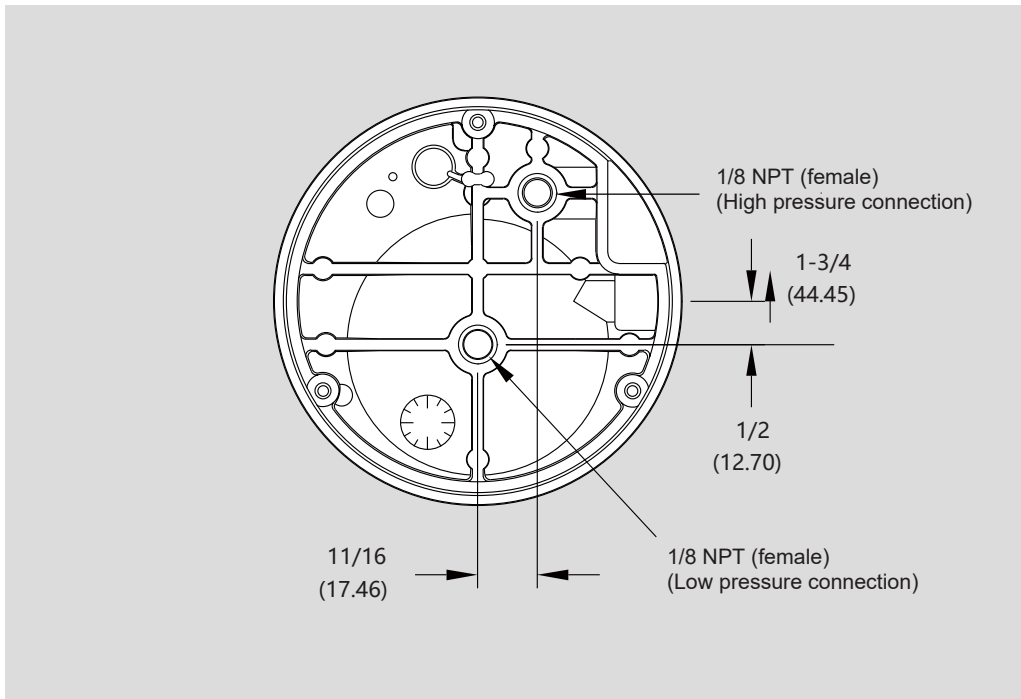
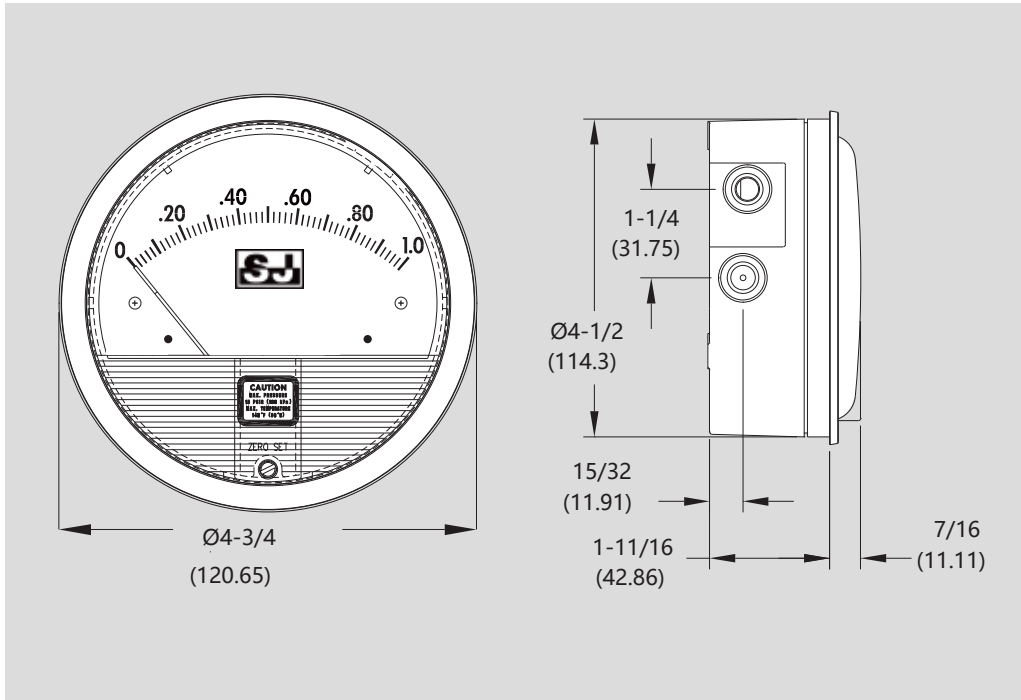
Round back panel

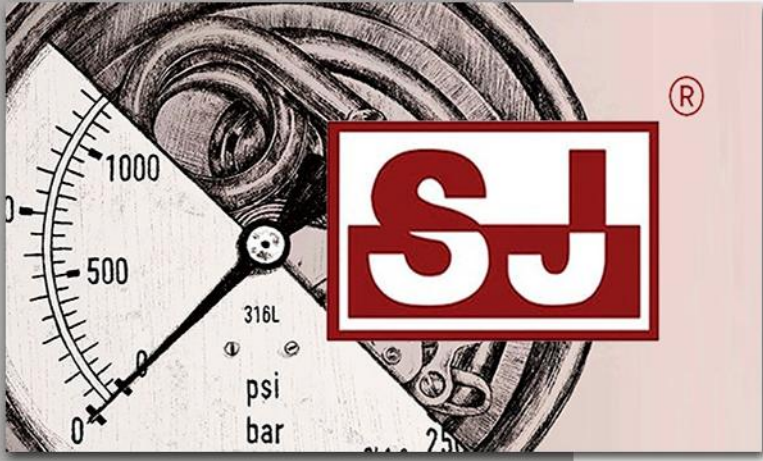


▼ Accessories

Stainless steel flush mount
bracket B

DIMENSIONS





rsIMMA

Elementos For Manufacturing Purposes



MEXICO BRANCH OFFICE

Roberto Diaz No. 401
Ciudad Industrial
Aguascalientes, Ags.
México
20290

4ManPro@4ManPro.com

+52 (449) 171 3420

www.4ManPro.com/SPA/

USA BRANCH OFFICE

708 Main St.
10th Floor
Houston, Tx, USA
77002

4ManPro_USA@4ManPro.com

+1 (832) 871 5022

www.4ManPro.com/ENG/