





# Differential Pressure Gauge, Cryogenic Tanks

Model: PRLD



## PRODUCT DESCRIPTION

▼ Supports cryotechnology; applicable for measuring low-temperature mediums

▼ Oil-free is available for measuring special gases such as flammable and explosive gases

▼ Commonly used to measure closed tank truck liquid levels for oil, liquid nitrogen, and other materials; also useful for filter monitoring

## PRODUCT SPECIFICATION

**Nominal size**  
6"

**Scale ranges**  
0 ... 4 kPa to 0 ... 400 kPa

**Static pressure**  
Max. working pressure 50 bar on either side (according to the scale range)

**Accuracy**  
±2.5% F.S.  
±1.6% F.S.  
±1.0% F.S.

**Process connection**  
2 x G 1/4 (F), centre distance 37 mm

**Wetted part**  
Measuring cell flanges: copper alloy  
Compression spring: 304 SS  
Separating diaphragm: NBR  
Transmission parts: 304 SS

**Case/Ring**  
304 SS

**Window**  
Polycarbonate (PC)

**Dial**  
Aluminum, black scale on white

**Pointer**  
Adjustable pointer, black aluminum

**Movement**  
304 SS

**IP rating**  
IP 65

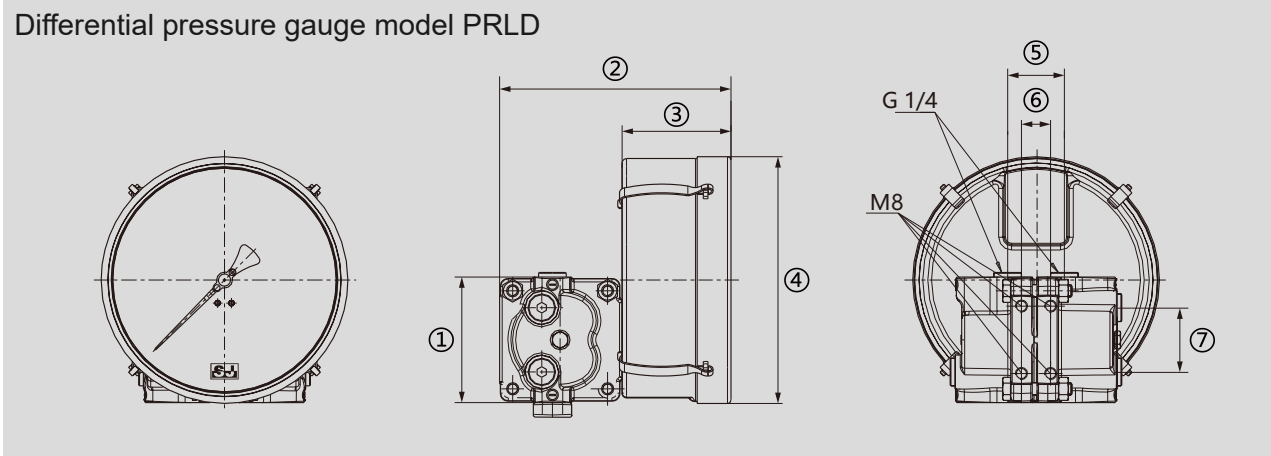
**Medium temperature**  
-40°C ... +60°C with oxygen  
-40°C ... +80°C

**Ambient temperature**  
-40°C ... +60°C with oxygen  
-40°C ... +80°C

**Accessories (option)**  
Valve manifold (wetted) with 4" or 6" working pressure indication, switch contacts, oxygen application, adapter for process connection

## DIMENSIONS

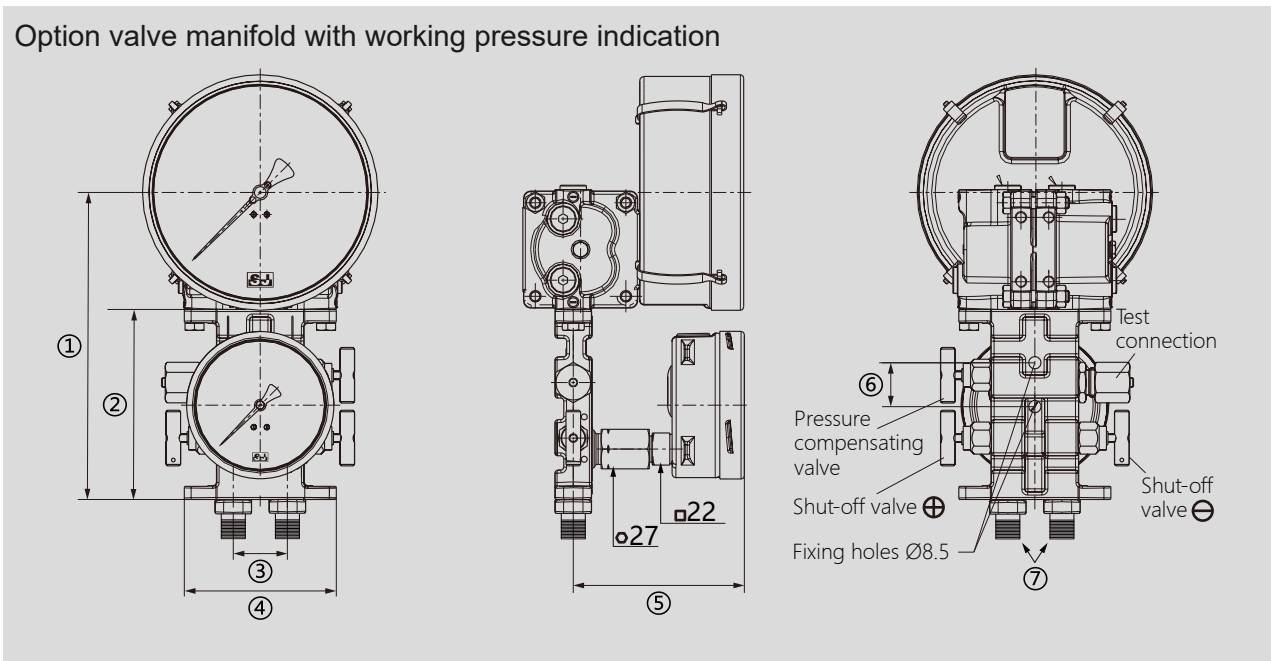
Differential pressure gauge model PRLD



Dimensions (mm)

NS	①	②	③	④	⑤	⑥	⑦
6"	82	71	197	161	37	19	42

Option valve manifold with working pressure indication



Dimensions (mm)

Option	①	②	③	④	⑤	⑥	⑦
	210	130	37	104	117	30	G 1/4



# rsIMMA

*Elementos For Manufacturing Processes*



## MEXICO BRANCH OFFICE

Roberto Diaz No. 401  
Ciudad Industrial  
Aguascalientes, Ags.  
México  
20290

[4ManPro@4ManPro.com](mailto:4ManPro@4ManPro.com)

+52 (449) 171 3420

[www.4ManPro.com/SPA/](http://www.4ManPro.com/SPA/)

## USA BRANCH OFFICE

708 Main St.  
10<sup>th</sup> Floor  
Houston, Tx, USA  
77002

[4ManPro\\_USA@4ManPro.com](mailto:4ManPro_USA@4ManPro.com)

+1 (832) 871 5022

[www.4ManPro.com/ENG/](http://www.4ManPro.com/ENG/)