





# Electric Contact Gauge, 3 inches

Model: PRE3



## PRODUCT DESCRIPTION

- ▼ Suitable for observation and automatic control
- ▼ Adjustable magnetic strength to avoid frequent, accidental collision of contacts due to vibration
- ▼ A variety of contact types to choose from

## PRODUCT SPECIFICATION

### Connection location

Bottom mount, back mount with flange,  
back mount without flange

### Electrical connections

Cable outlet

### Nominal size

3"

### Accuracy

±3.0% F.S.

### Process connection

316L SS  
1/4, 3/8, 1/2  
PT, G, NPT

### Window

PC

### Movement

Copper alloy

### Bourdon tube

316 SS

### Pressure limitation

Steady: full scale value  
Fluctuating: 0.9 x full scale value

### Ambient temperature

-20°C ... 70°C

### Medium temperature

-20°C ... 150°C

### Contact



EC1 snap-action contacts,  
70% silver & 30% nickel, golden plated





### Switch contact specifications

Rated voltage: 250 V (Max.)  
Contact capacity: 30 W ~ 50 VA (Max.)  
Starting current: 1.0 A (Max.)  
Persistent current: 0.6 A (Max.)  
Switching voltage: 24 V (Min.)

## CONTACT FUNCTION CODES

\* Logics are based on a clock-wise pointer motion.

	a Normally Open contact (NO) Code: 1		a Normally Closed contact (NC) Code: 2
---	---	---	---

Model	Contact type	When the pointer reaches the set-point with the rising pressure...	And if the pointer passes the set-point again by falling pressure...	Wiring (common terminal) <b>default</b>	Wiring (separate terminal) <b>optional</b>
EC1-1	NO	...one Contact will close	...that contact will open again		—
EC1-2	NC	...one Contact will open	...that contact will close again		—
EC1-21	NC-NO	...1 <sup>st</sup> contact will open and 2 <sup>nd</sup> contact will close	...2 <sup>nd</sup> contact will open and 1 <sup>st</sup> contact will close again		

## MAXIMUM CONTACT RATINGS FOR EC1 SNAP-ACTION CONTACTS

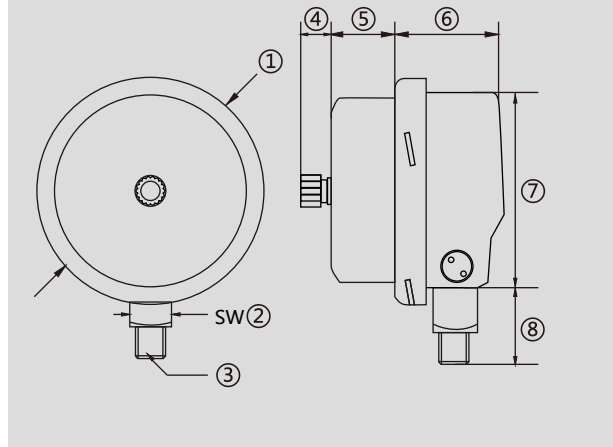
Max. contact ratings with resistive loads	Not filled instrument
Contact closing	1.0 A
Contact opening	1.0 A
Continuous load	0.6 A
Maximum load	30 W / 50 VA
Ambient temperature	-20...+60°C

## RECOMMENDED CONTACT RATINGS FOR EC1 SNAP-ACTION CONTACTS

Voltage	Magnetic Snap-action EC1 Unfilled Instrument	
	Resistive load (mA)	Inductive load (mA)
24V DC	400	250
24V AC	600	250
48V DC	300	200
48V AC	450	200
110V DC	200	125
110V AC	240	125
230V DC	100	65
230V AC	120	65

## DIMENSIONS

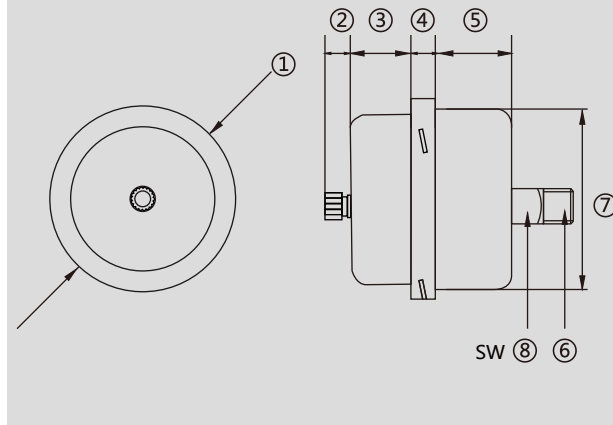
Bottom mount



Dimensions (mm)

NS	①	②	③	④	⑤	⑥	⑦	⑧
3"	84	17	3/8	27	35	46.5	75	35

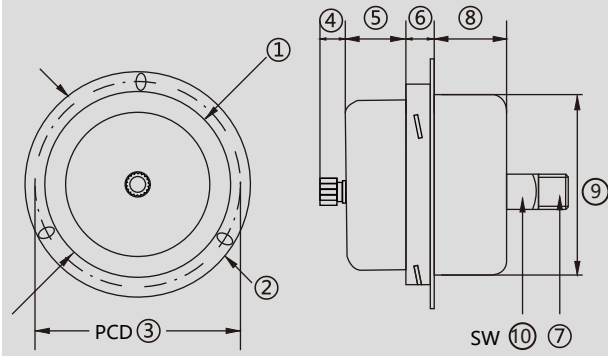
Back mount



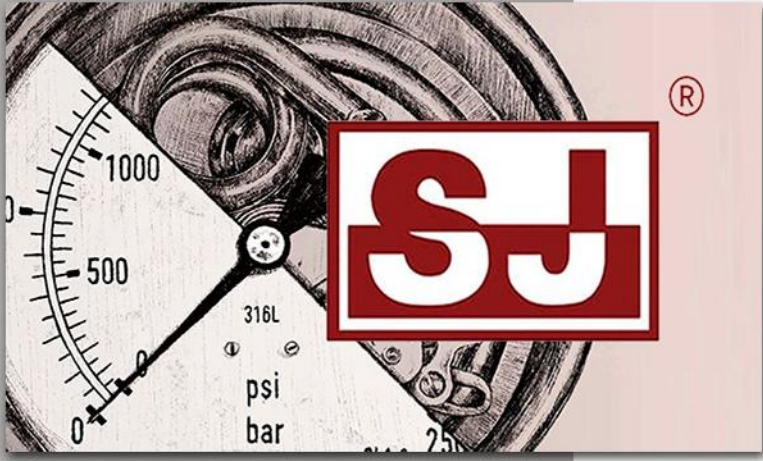
Dimensions (mm)

NS	①	②	③	④	⑤	⑥	⑦	⑧
3"	85	28	34	10	36	3/8	75.5	17

Back mount with flange



Dimensions (mm)										
NS	①	②	③	④	⑤	⑥	⑦	⑧	⑨	⑩
3"	85	102	90	28	34	10.5	3/8	36	75.5	17



# rsIMMA

*Elementos For Manufacturing Processes*



## **MEXICO BRANCH OFFICE**

Roberto Diaz No. 401  
Ciudad Industrial  
Aguascalientes, Ags.  
México  
20290

[4ManPro@4ManPro.com](mailto:4ManPro@4ManPro.com)

+52 (449) 171 3420

[www.4ManPro.com/SPA/](http://www.4ManPro.com/SPA/)

## **USA BRANCH OFFICE**

708 Main St.  
10<sup>th</sup> Floor  
Houston, Tx, USA  
77002

[4ManPro\\_USA@4ManPro.com](mailto:4ManPro_USA@4ManPro.com)

+1 (832) 871 5022

[www.4ManPro.com/ENG/](http://www.4ManPro.com/ENG/)