





Stainless Steel Pressure Gauge, Laser Welding

Model: PRDR.W



PRODUCT DESCRIPTION

- ▼ Integrally formed without any seams to avoid leakage effectively
- ▼ Vent valve and blow-out device (plug) for improved safety
- ▼ Used in petrochemical industry, power engineering and sewage treatment
- ▼ Same specifications as WIKA-232.50/233.50

PRODUCT SPECIFICATION

Connection location

Bottom mount, back mount,
with/without flange

Nominal size

2.5", 4", 6"

Scale ranges

0 ... 0.6 kg/cm² to 1600 kg/cm²,
or other equivalent units of pressure,
vacuum or compound

Accuracy

2.5": ±1.6% F.S.
4", 6": ±1.0% F.S.

Process connection

316L SS
1/4, 3/8, 1/2
PT, G, NPT, M

Case/Ring

304 SS, 316 SS
With blow-out device at case
circumference (4", 6")

Window

Safety glass

Dial

Aluminum alloy, black scale on white

Vent-plug

Scale ranges ≤ 0 ... 16 kg/cm² with
compensating valve to vent and reseal
case

Pointer

Black aluminum alloy
2.5": normal
4", 6": adjustable

Movement

304 SS

Filling liquid

Without, glycerine, silicone oil

Accessories (option)

4", 6": Drag pointer
4": Adjustable set pointer

Ambient temperature

-40°C ... 60°C (non-liquid-filled)
-20°C ... 60°C (liquid-filled)

Medium temperature

-40°C ... 200°C (non-liquid-filled)
-20°C ... 100°C (glycerine filled)
-40°C ... 100°C (silicone filled)

Protection level

IP65

ACCESSORIES (OPTION)



▼ Accessories

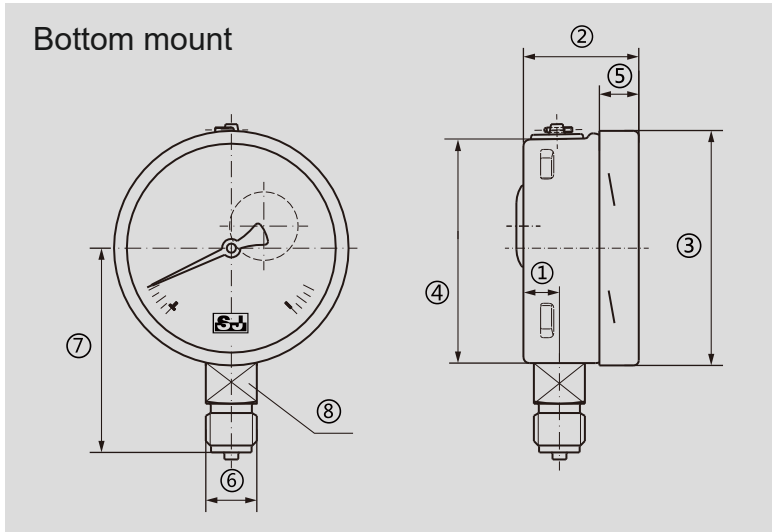
4": Adjustable set pointer



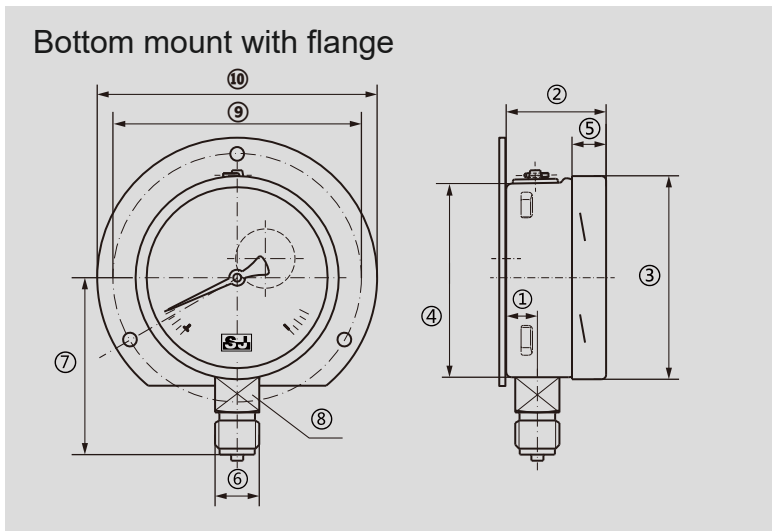
▼ Accessories

4", 6": Drag pointer

DIMENSIONS

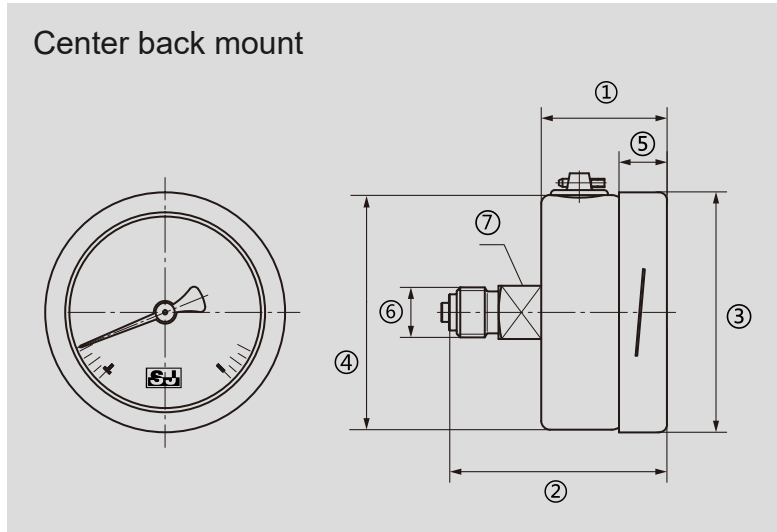


Dimensions (mm)								
NS	①	②	③	④	⑤	⑥	⑦	⑧
2.5"	9.5	33	63	62	11.5	1/4	54	14
4"	15.5	49.5	101	99	17.5	1/2	87	22
6"	14	49.5	160	156	16.9	1/2	118	22

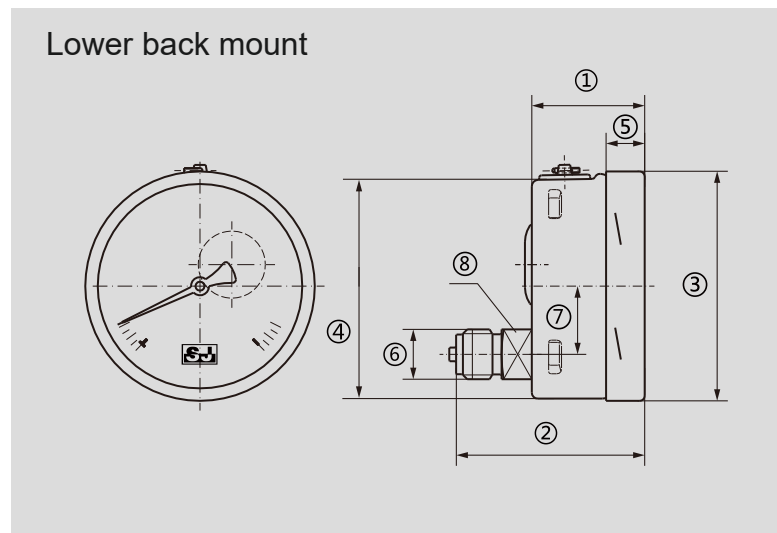


Dimensions (mm)										
NS	①	②	③	④	⑤	⑥	⑦	⑧	⑨	⑩
4"	15.5	49.5	101	99	17.5	1/2	87	22	118	132

DIMENSIONS

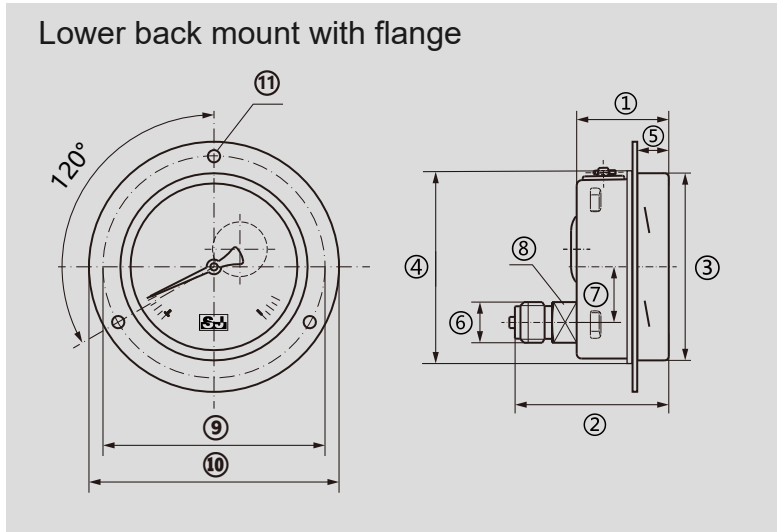


Dimensions (mm)							
NS	①	②	③	④	⑤	⑥	⑦
2.5"	33	57	63	62	11.5	1/4	14
4"	49.5	83	101	99	17.5	1/2	22

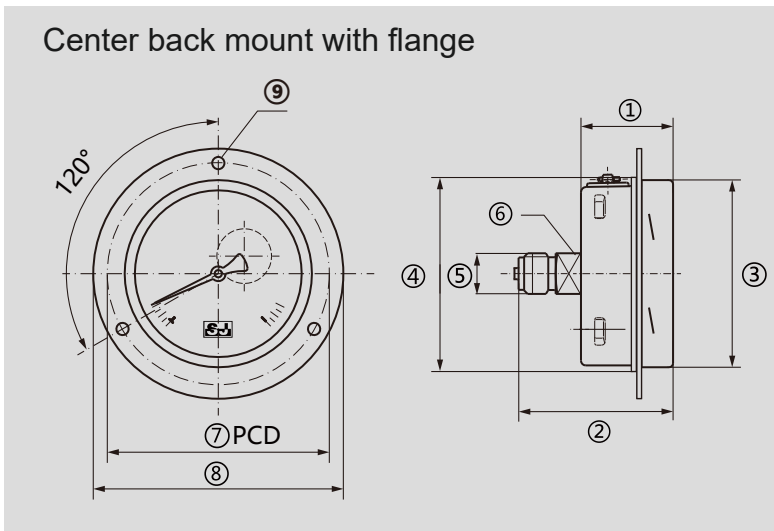


Dimensions (mm)								
NS	①	②	③	④	⑤	⑥	⑦	⑧
2.5"	33	60	64.4	62	17.5	1/4	18	14
4"	49.5	83	101	99	17.5	1/2	30	22
6"	49.5	83	161	159	17.5	1/2	29	22

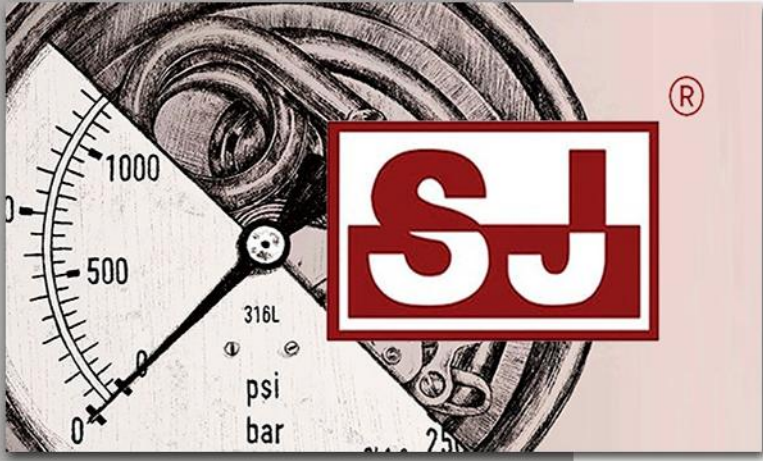
DIMENSIONS



Dimensions (mm)											
NS	①	②	③	④	⑤	⑥	⑦	⑧	⑨	⑩	⑪
2.5"	33	60	64.4	64	17.5	1/4	18	14	80	90	6.6*4.4
4"	49.5	83	101	103	17.5	1/2	30	22	118	132	4.8*4.8
6"	50	91	160	162	17.5	1/2	29	22	178	198	6*6



Dimensions (mm)									
NS	①	②	③	④	⑤	⑥	⑦	⑧	⑨
2.5"	33.5	61	64.4	64	1/4	14	76.4	90	6.6x4.4
4"	49.5	83	101	103	1/2	22	118	132	4.8*4.8



rsIMAC

Elementos For Manufacturing Purposes



MEXICO BRANCH OFFICE

Roberto Diaz No. 401
Ciudad Industrial
Aguascalientes, Ags.
México
20290

4ManPro@4ManPro.com

+52 (449) 171 3420

www.4ManPro.com/SPA/

USA BRANCH OFFICE

708 Main St.
10th Floor
Houston, Tx, USA
77002

4ManPro_USA@4ManPro.com

+1 (832) 871 5022

www.4ManPro.com/ENG/