





Differential Pressure Gauge, Duplex

Model: PRDD



PRODUCT DESCRIPTION



The pressure gauges are equipped with two independently working bourdon tube measuring systems



LED lighting for operating voltages of DC24V or AC110V



Typically used in filters and rail braking systems

PRODUCT SPECIFICATION

Connection location

Lower back mount

Nominal size

4"

Scale ranges

0 ... 25bar, or other equivalent units of pressure, vacuum or compound

Accuracy

±1.6% F.S.

Process connection

M14 x 1.5

Case/Ring

Carbon steel

Window

Glass

Dial

Aluminum, white, black lettering

Pointer

Aluminum, black and red

Movement

Copper alloy

Bourdon tube

Copper alloy

Ambient temperature

-29°C ... 93°C

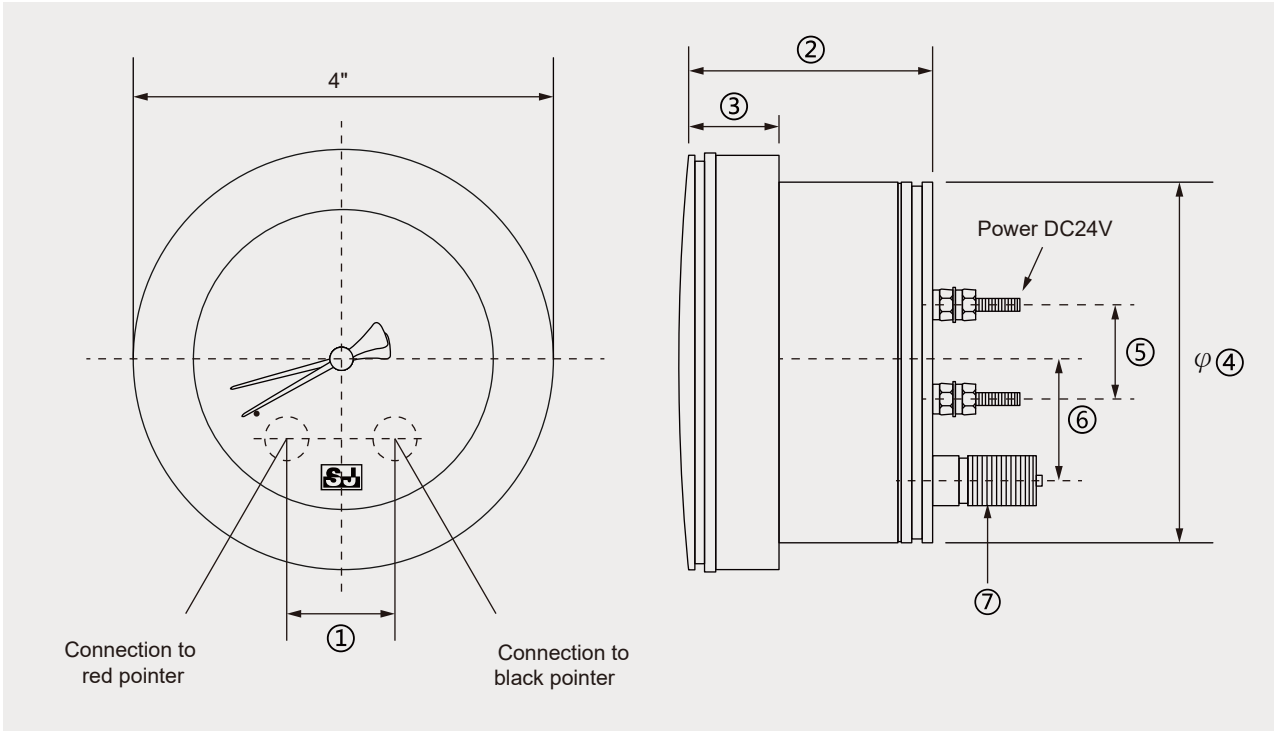
Medium temperature

-30°C ... 70°C

Lighting power supply

DC24V, AC110V

DIMENSIONS



Dimensions (mm)							
NS	①	②	③	④	⑤	⑥	⑦
4"	34	65	28	100	25	29	M14x1.5



rsIMMA

Elementos For Manufacturing Processes



MEXICO BRANCH OFFICE

Roberto Diaz No. 401
Ciudad Industrial
Aguascalientes, Ags.
México
20290

4ManPro@4ManPro.com

+52 (449) 171 3420

www.4ManPro.com/SPA/



USA BRANCH OFFICE

708 Main St.
10th Floor
Houston, Tx, USA
77002

4ManPro_USA@4ManPro.com

+1 (832) 871 5022

www.4ManPro.com/ENG/