



Product Description

- Feature a highly corrosion-resistant all-metal construction and measuring cell protected against tampering
- Used for pump monitoring and control, filter monitoring and level measurement
- For gaseous and liquid aggressive media that are not highly viscous or crystallizing, also in aggressive environments



Product Specification

Connection location

Lower mount

Nominal size

4", 6"

Scale ranges

0 ... 1.6 kPa to 0 ... 25 bar

Static pressure

Max. operating pressure 2.5...40 bar

Influence of static pressure

- Span \leq 0.25 bar: ± 0.3 %/1 bar
- Span $>$ 0.25 bar: ± 0.04 %/1 bar

Accuracy

± 2.5 % F.S. (standard), ± 1.6 % F.S.

Process connection

2 x G1/4, female

Case/Ring

304 SS (standard), 316 SS

Window

Safety glass

Pointer

Adjustable pointer, aluminum, black

Movement

304 SS

Case filling

Without, glycerine, silicone oil

Wetted part

316 SS

Type of measuring element

Diaphragm element, 316 SS

Ambient temperature

-20°C ... 60°C

Medium temperature

-20°C ... 100°C

Temperature error

(On deviation from the reference conditions at the measuring system)
≤ ±0.5 % per 10 °C of full scale value
(Reference conditions +20 °C)

IP rating

IP54 (standard)

IP65 (for instrument with case filling)

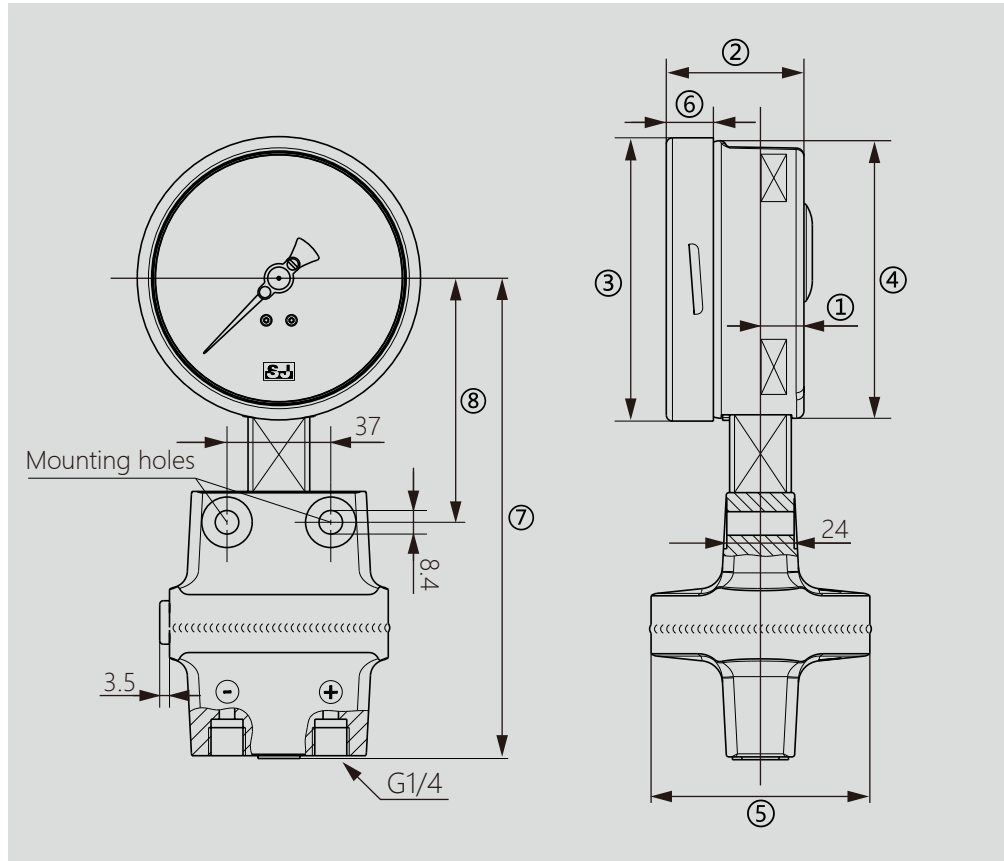
Overload safety

2.5...40 bar

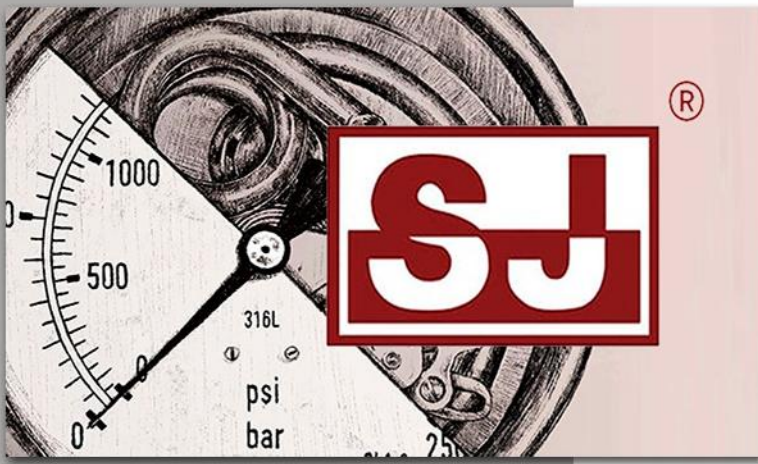
Accessories(Options)

With blow-out device, with compensating valve, valve manifold, mounting bracket for wall or pipe mounting

Dimensions



Dimensions (mm)									
NS	Span	①	②	③	④	⑤	⑥	⑦	⑧
4"	≤0.25bar	16.5	49	100	99	75	16.5	165	80
	>0.25bar	16.5	49	100	99	90	16.5	165	80
6"	≤0.25bar	16.5	50	160	158	75	16.5	195	110
	>0.25bar	16.5	50	160	158	90	16.5	195	110



rsIMMA

Elementos For Manufacturing Purposes



MEXICO BRANCH OFFICE

Roberto Diaz No. 401
Ciudad Industrial
Aguascalientes, Ags.
México
20290

4ManPro@4ManPro.com

+52 (449) 171 3420

www.4ManPro.com/SPA/

USA BRANCH OFFICE

708 Main St.
10th Floor
Houston, Tx, USA
77002

[4ManPro_USA](mailto:4ManPro_USA@4ManPro.com)

@4ManPro.com

+1 (832) 871 5022

www.4ManPro.com/ENG/