





Digital Pressure Gauge, Basic

Model: PRD-TG



PRODUCT DESCRIPTION

- ▼ Cost-effective digital pressure gauge with a short lead time
- ▼ Intuitive interface for easy operation
- ▼ For gaseous and liquid pressure media that are not highly viscous or crystallizing

PRODUCT SPECIFICATION

Nominal size

2.5"

Pressure medium

Non-corrosive gases and liquid

Scale ranges

5 ... 175 psi, The value starts to display after 0.21 kg/cm²

Pressure units

psi, bar, kPa, kg/cm²

Accuracy

±1.0% F.S.

Process connection

G1/4

Resolution

0.2% F.S. ... 0.5% F.S.

Burst pressure

1.6 MPa

Medium temperature

-10°C ... 50°C

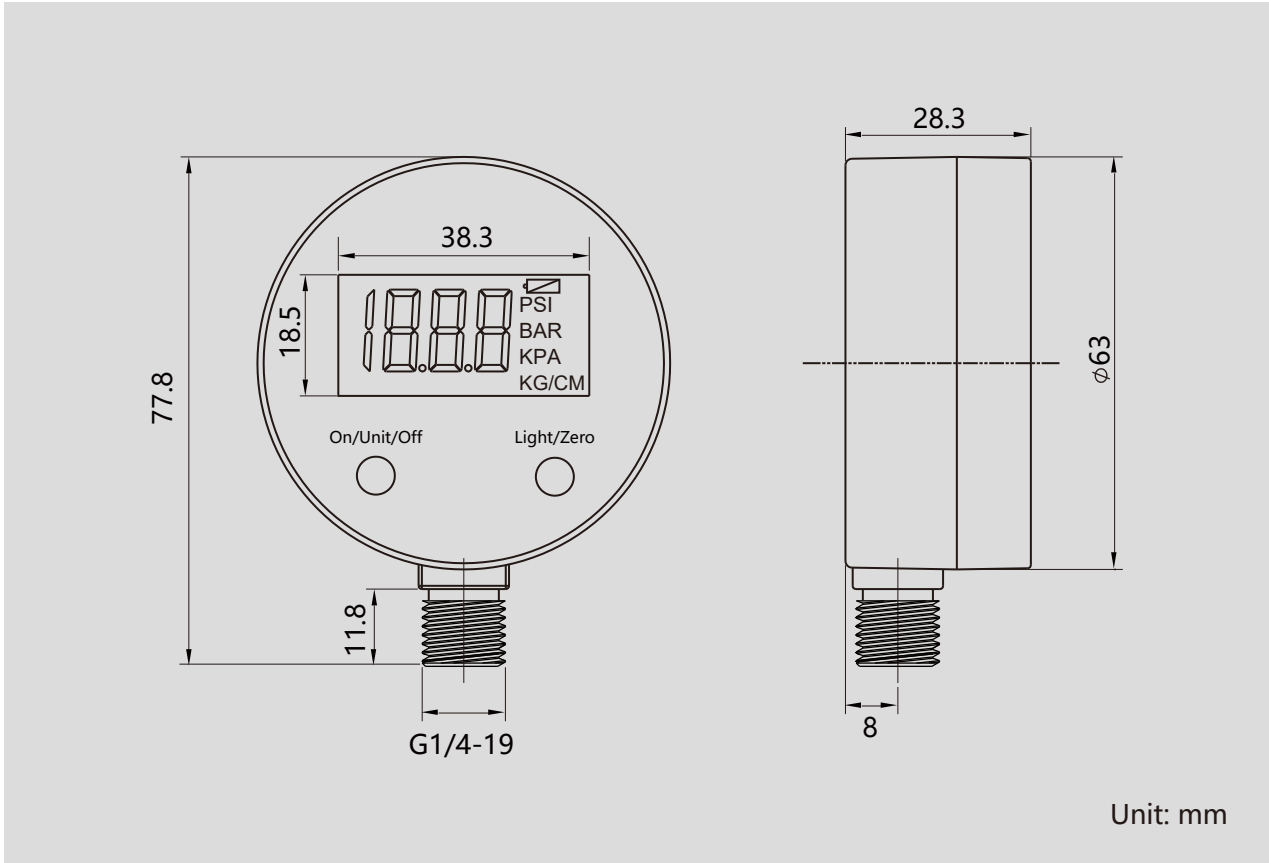
Display

3.5 digits LCD, switchable backlight button

Power supply

AAA battery*2 (not included)

DIMENSIONS





rsIMMA

Elementos For Manufacturing Processes



MEXICO BRANCH OFFICE

Roberto Diaz No. 401
Ciudad Industrial
Aguascalientes, Ags.
México
20290

4ManPro@4ManPro.com

+52 (449) 171 3420

www.4ManPro.com/SPA/

USA BRANCH OFFICE

708 Main St.
10th Floor
Houston, Tx, USA
77002

4ManPro_USA@4ManPro.com

+1 (832) 871 5022

www.4ManPro.com/ENG/