





# Digital Pressure Gauge, RS485 Output Signal

Model: PRD-FEF



## PRODUCT DESCRIPTION

- ▼ RS-485 output signal, for remote monitoring
- ▼ LCD panel displays data instantly
- ▼ Pressure measurement range from 0 ... 10 kPa to 0 ... 1000 kg/cm<sup>2</sup>
- ▼ Can connect cooling element without transfer

## PRODUCT SPECIFICATION

**Connection location**  
Bottom mount

**Output signal**  
RS485

**Electrical connections**  
4 pin aviation plug

**Weight**  
950 g (N.W.)

**Nominal size**  
2.5"

**IP rating**  
IP40

**Scale ranges**  
0 ... 5 kPa to 0 ... 800 bar,  
or other equivalent units of pressure,  
vacuum, or compound

**Pressure units**  
Customizable, only one can be selected

**Accuracy**  
±1.0% F.S. (standard),  
±0.5% F.S.,  
±0.25% F.S.

**Process connection**  
304 SS  
1/8, 1/4, 3/8, 1/2, 7/8  
PT, G, NPT, M

**Case/Ring**  
304 SS

**Sensor element**  
316 SS

**Display**  
4 digit

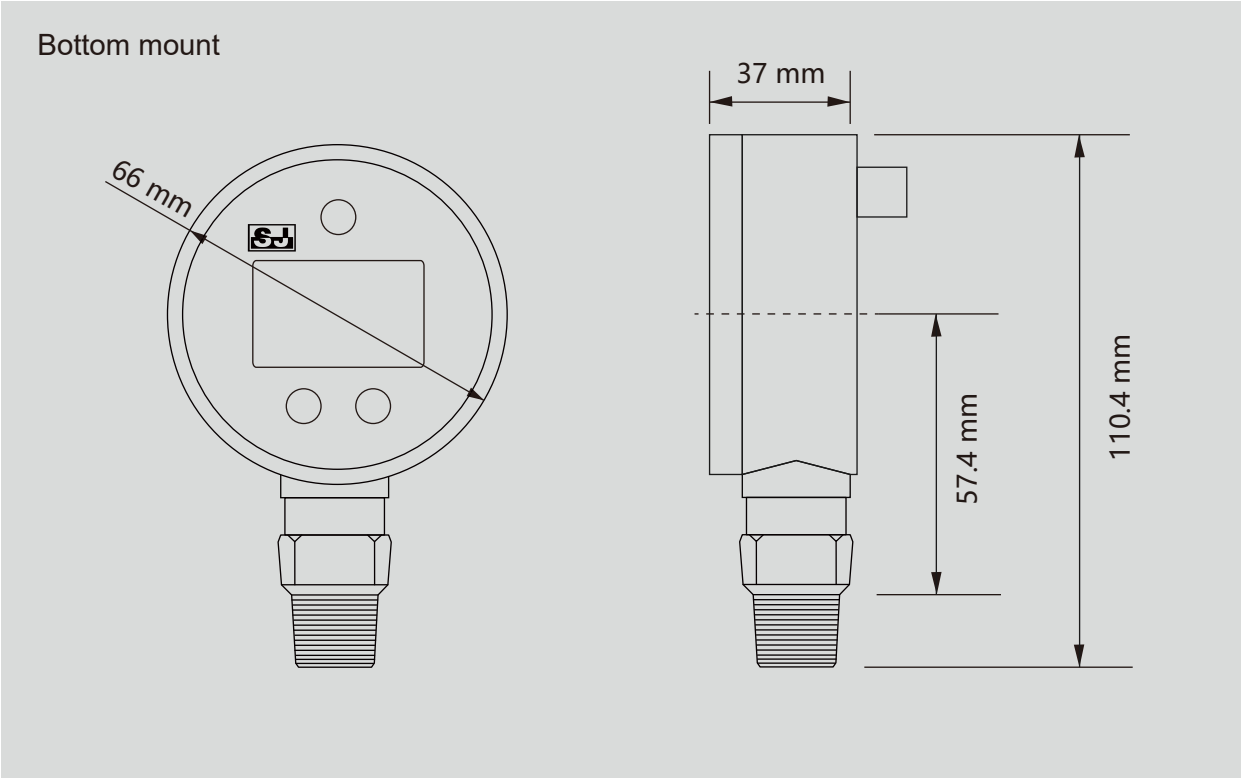
**Ambient temperature**  
-20°C ... 60°C

**Medium temperature**  
-20°C ... 60°C

**Response time**  
≤ 50 ms

**Voltage supply**  
DC16-32V

**DIMENSIONS**





# rsIMMA

*Elementos For Manufacturing Processes*



## MEXICO BRANCH OFFICE

Roberto Diaz No. 401  
Ciudad Industrial  
Aguascalientes, Ags.  
México  
20290

[4ManPro@4ManPro.com](mailto:4ManPro@4ManPro.com)

+52 (449) 171 3420

[www.4ManPro.com/SPA/](http://www.4ManPro.com/SPA/)

## USA BRANCH OFFICE

708 Main St.  
10<sup>th</sup> Floor  
Houston, Tx, USA  
77002

[4ManPro\\_USA@4ManPro.com](mailto:4ManPro_USA@4ManPro.com)

+1 (832) 871 5022

[www.4ManPro.com/ENG/](http://www.4ManPro.com/ENG/)