





Digital Pressure Gauge, Double-sided LCD Display Screen

Model: PRD-DP



PRODUCT DESCRIPTION

- ▼ Double-sided display facilitating observation and operation
- ▼ LCD monitor with backlight, beneficial to long-term monitoring
- ▼ Corrosion resistance on both case and wetted part, generally used in the PCB industry

PRODUCT SPECIFICATION

Nominal size

3"

Scale ranges

0 ... 2 MPa or other equivalent units of pressure, vacuum or compound

Pressure units

MPa, kg/cm², bar, psi, mmH₂O, kPa, Pa, inWC, mbar, mH₂O, inHg, mmHg, Torr

(Up to 8 units can be switched, if not specified, the engineer will select it according to the pressure range)

Accuracy

±1.0% F.S.,

Process connection

Thread: nylon; core: zirconia
G1/2 (F)

Case/Ring

Nylon

Panel

Acrylic

Medium temperature

-20°C ... 60°C

Display

5.5 digits

LCD switchable backlight button

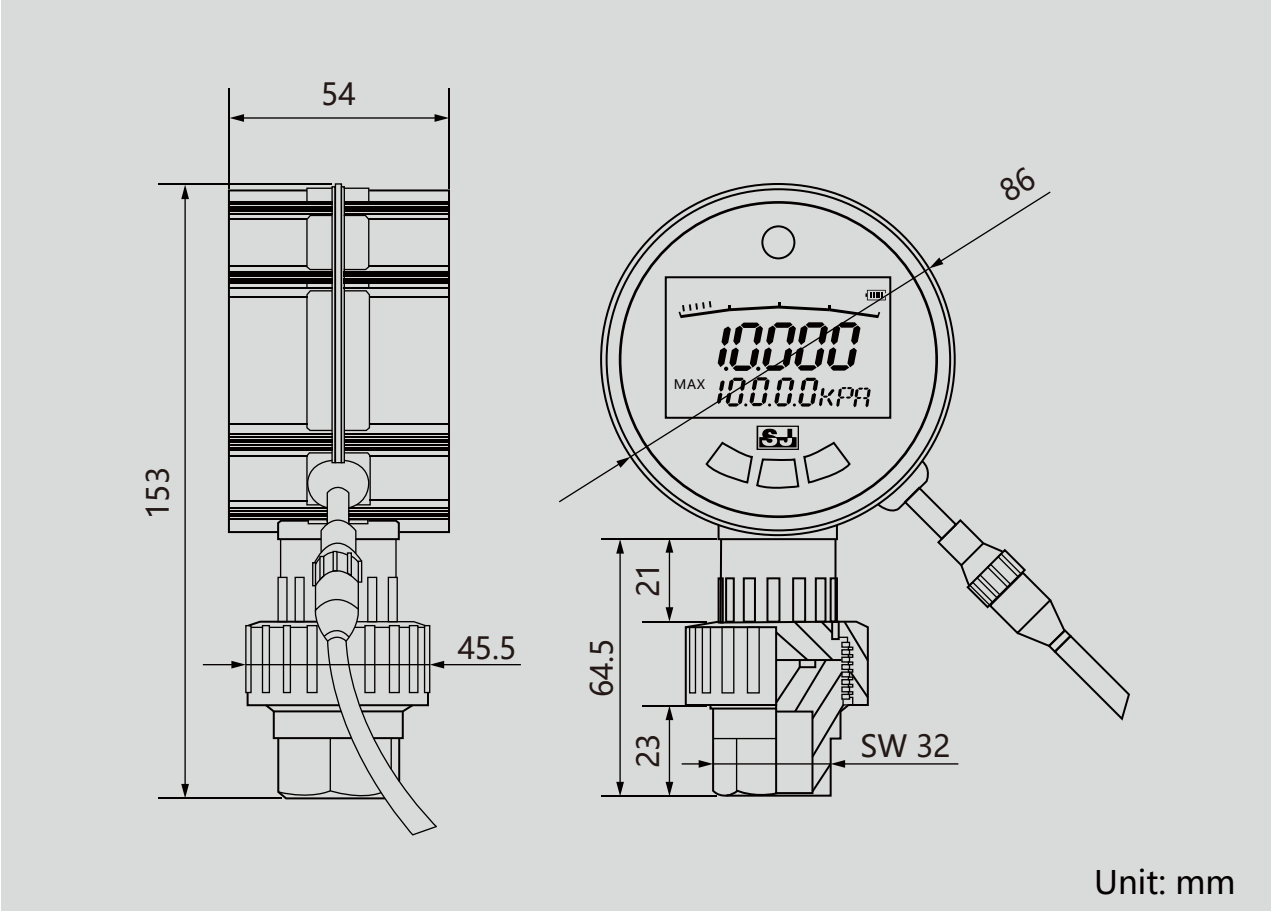
Response time

18 times/sec

Voltage supply

External power supply DC5V

DIMENSIONS



Unit: mm



rsIMAC

Elementos For Manufacturing Processes



MEXICO BRANCH OFFICE

Roberto Diaz No. 401
Ciudad Industrial
Aguascalientes, Ags.
México
20290

4ManPro@4ManPro.com
+52 (449) 171 3420
www.4ManPro.com/SPA/

USA BRANCH OFFICE

708 Main St.
10th Floor
Houston, Tx, USA
77002

4ManPro_USA@4ManPro.com
+1 (832) 871 5022
www.4ManPro.com/ENG/