





# Digital Pressure Gauge with Anti-corrosion Plastic Case, Multi-Output Signal

Model: PRD-APP



## PRODUCT DESCRIPTION

- ▼ 4-20mA or RS485 signal output for remote observation
- ▼ Digital display which allows local observation at the same time
- ▼ Corrosion resistance on both case and wetted part, mainly used in the PCB industry

## PRODUCT SPECIFICATION

### Nominal size

2.5"

### Scale ranges

0 ... 10 kPa to 0 ... 5 MPa,  
or other equivalent units of pressure,  
vacuum or compound

### Accuracy

±1.0% F.S.,

### Process connection

G 1/2

### Case/Ring

Nylon

### Sensor element

Zirconia

### Accessories (options)

Transparent plastic cover

### Medium temperature

-20°C ... 60°C

### Output signal

4-20mA, RS485

### Power consumption

0.5 W

### Input voltage

DC 15-30V

## ACCESSORIES (OPTION)

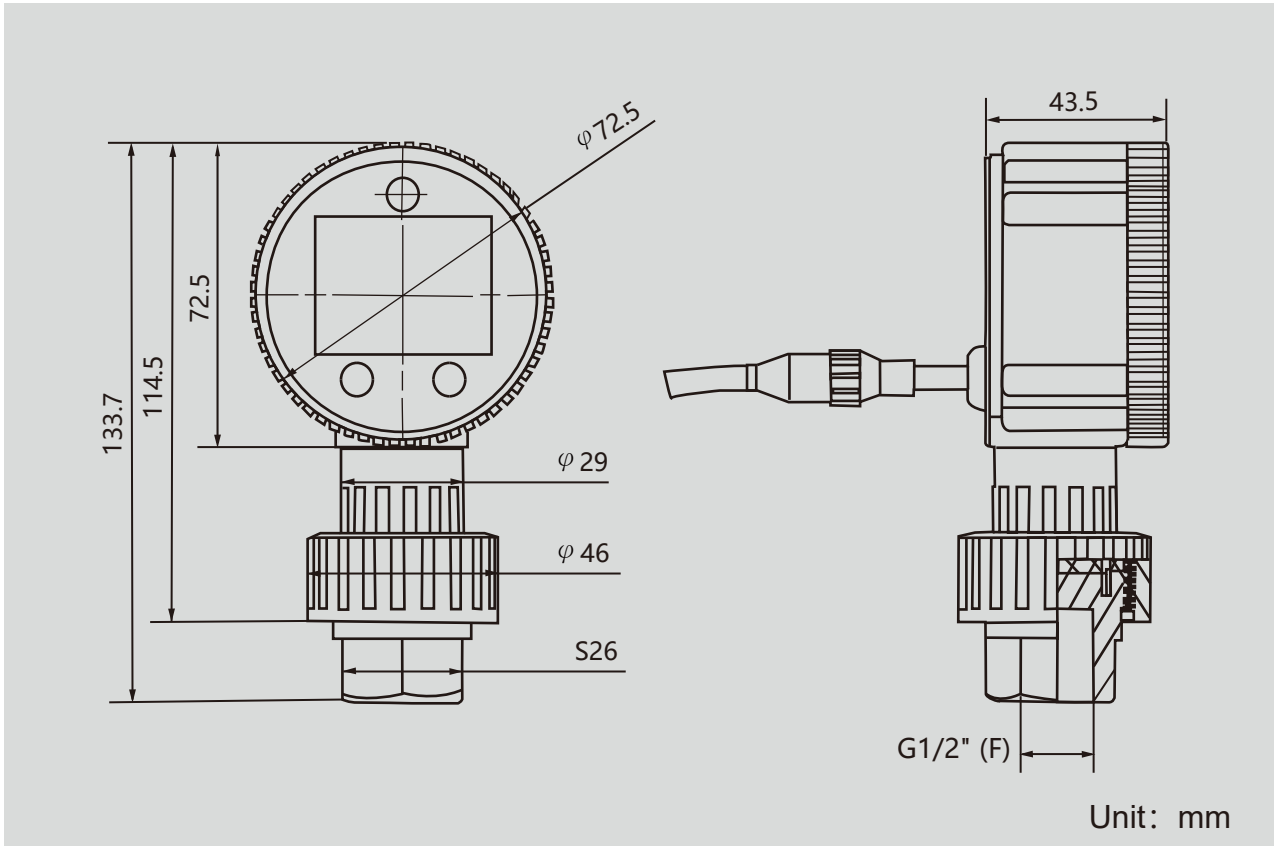


### ▼ Accessories (options)

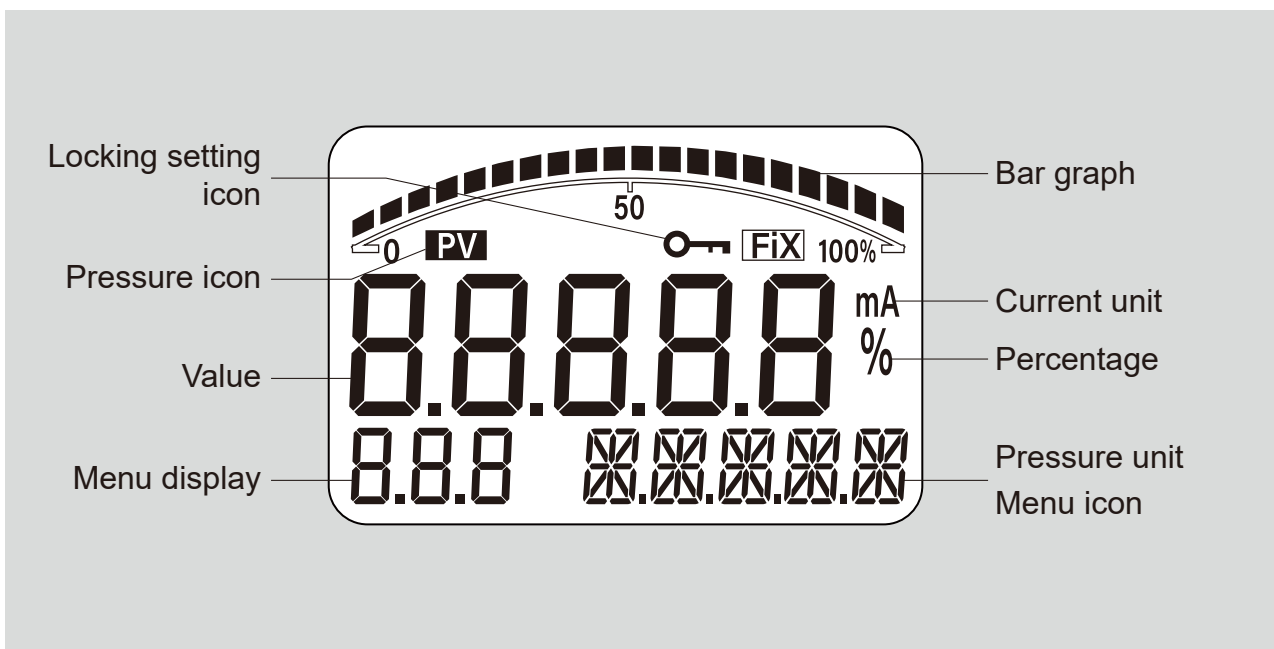
Transparent plastic cover

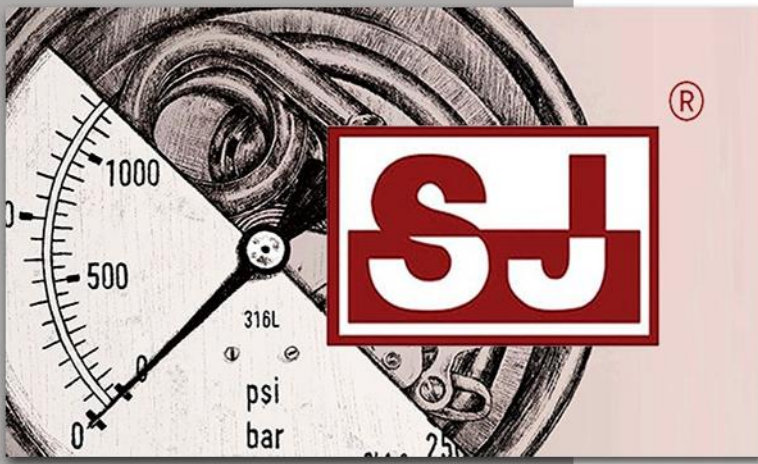
The product images displayed in the catalog are illustrative, and the actual products will be customized to your requirements.

## DIMENSIONS



## INTERFACE DESCRIPTION





# rsIMMA

*Elementos For Manufacturing Processes*



## **MEXICO BRANCH OFFICE**

Roberto Diaz No. 401  
Ciudad Industrial  
Aguascalientes, Ags.  
México  
20290

[4ManPro@4ManPro.com](mailto:4ManPro@4ManPro.com)

+52 (449) 171 3420  
[www.4ManPro.com/SPA/](http://www.4ManPro.com/SPA/)

## **USA BRANCH OFFICE**

708 Main St.  
10<sup>th</sup> Floor  
Houston, Tx, USA  
77002

[4ManPro\\_USA  
@4ManPro.com](mailto:4ManPro_USA@4ManPro.com)

+1 (832) 871 5022  
[www.4ManPro.com/ENG/](http://www.4ManPro.com/ENG/)