



Stainless Steel Siphon Tube

Model: PRA-SP

Product Description

- Siphons protect from sudden pressure changes and excessive heat
- Thread size and tube thickness can be customized
- More than six types available for various installation environments



Product Specification

Process connection (upper/lower)

1/4", 3/8", 1/2";
PT, G, NPT, M

Connection designs

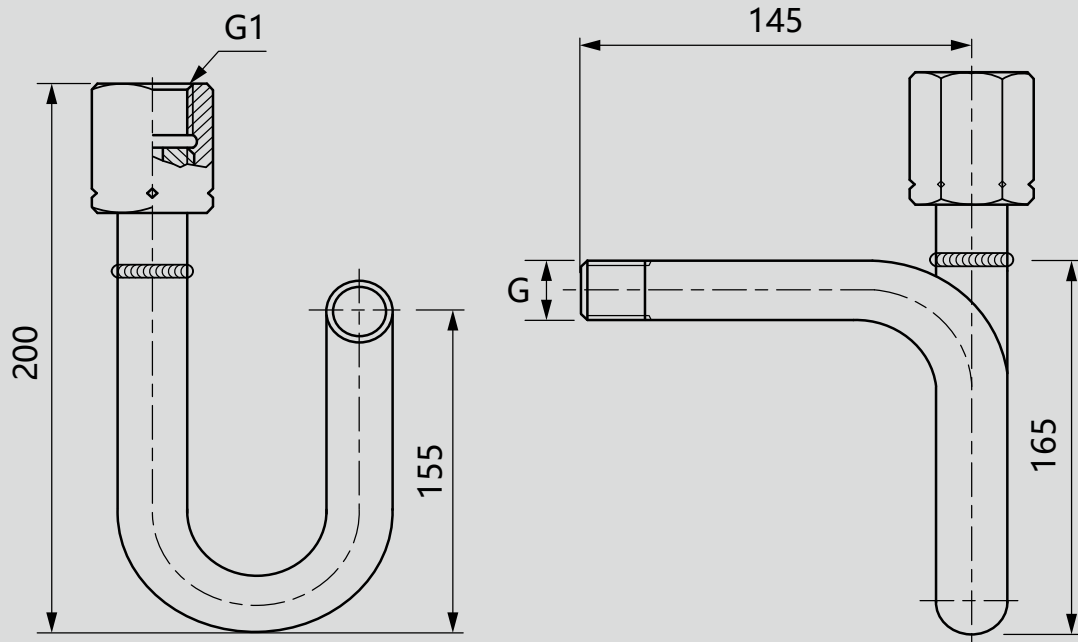
Male thread, male nut, union nut,
welded type (without thread)

Material

Carbon steel, 304 SS, 316 SS

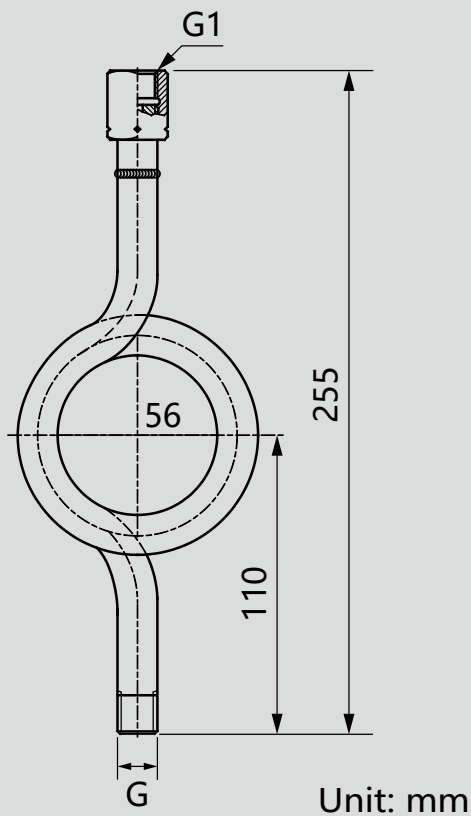
Dimensions

Type A



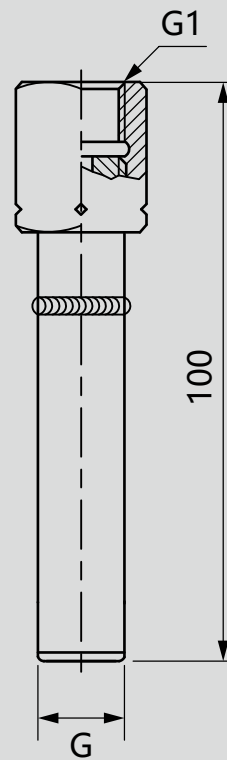
Unit: mm

Type C



Unit: mm

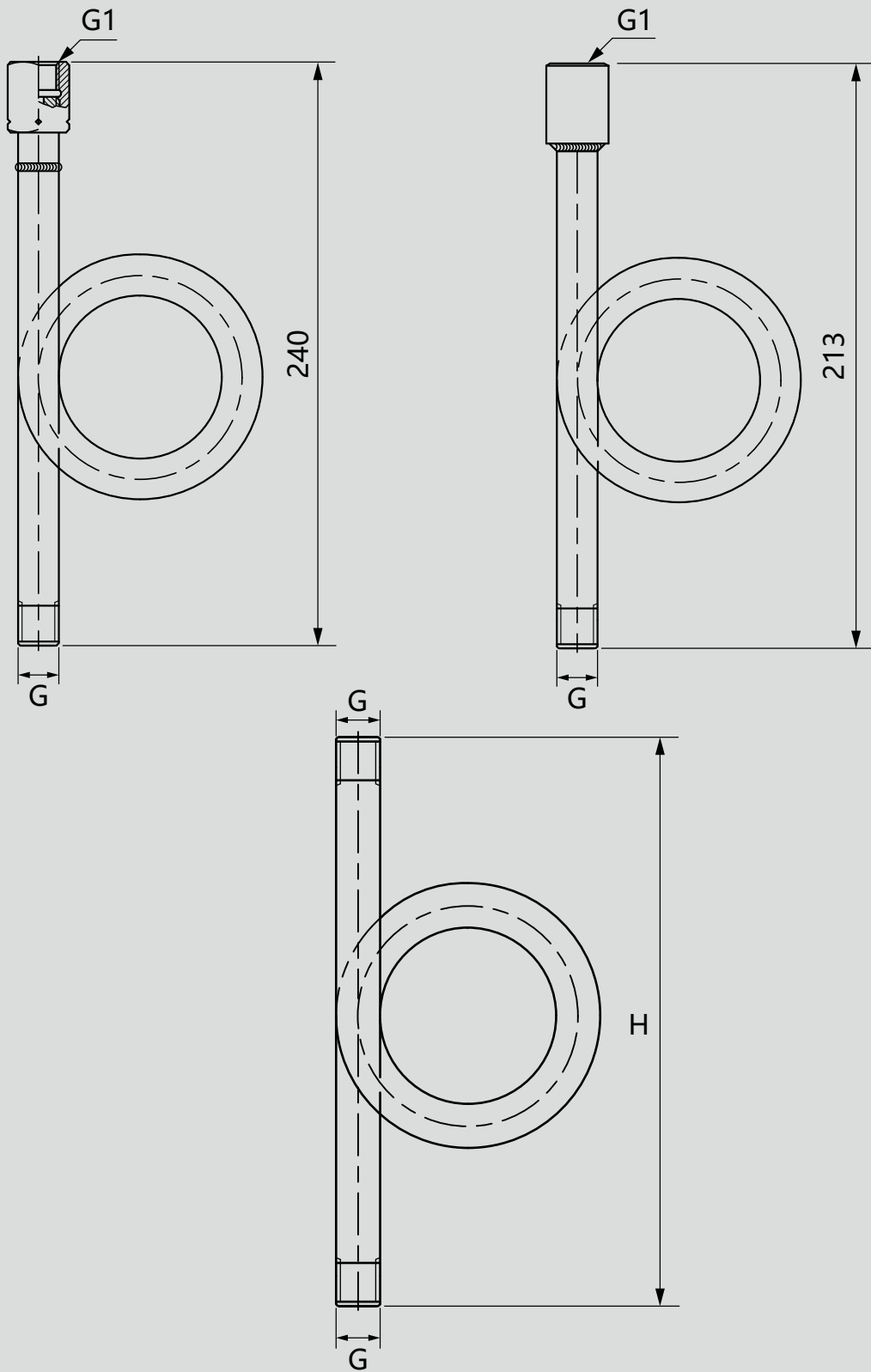
Type I



Unit: mm

Dimensions

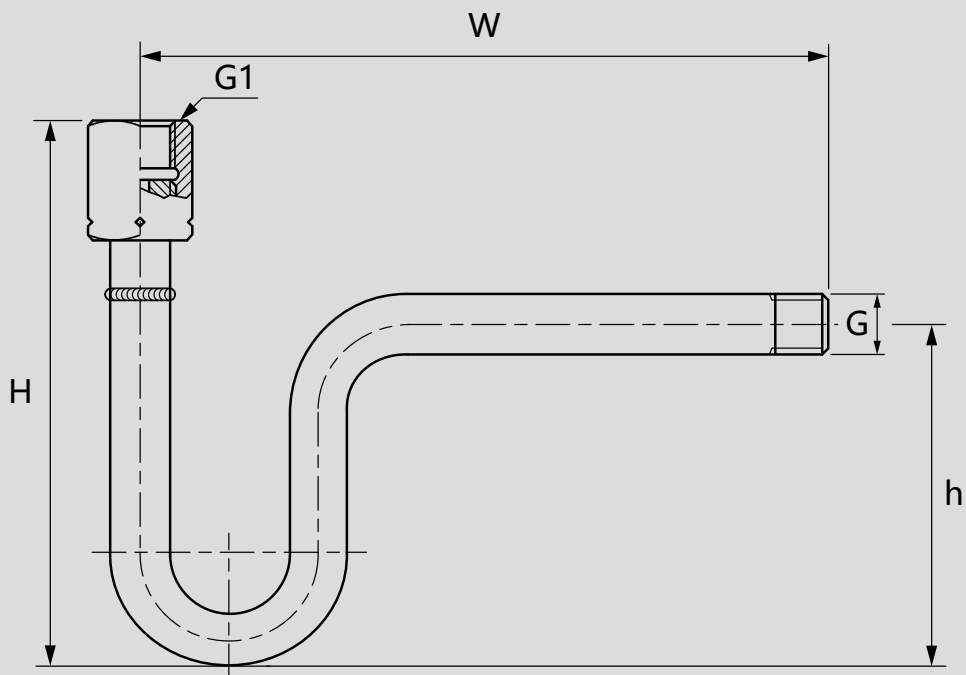
Type G



Unit: mm

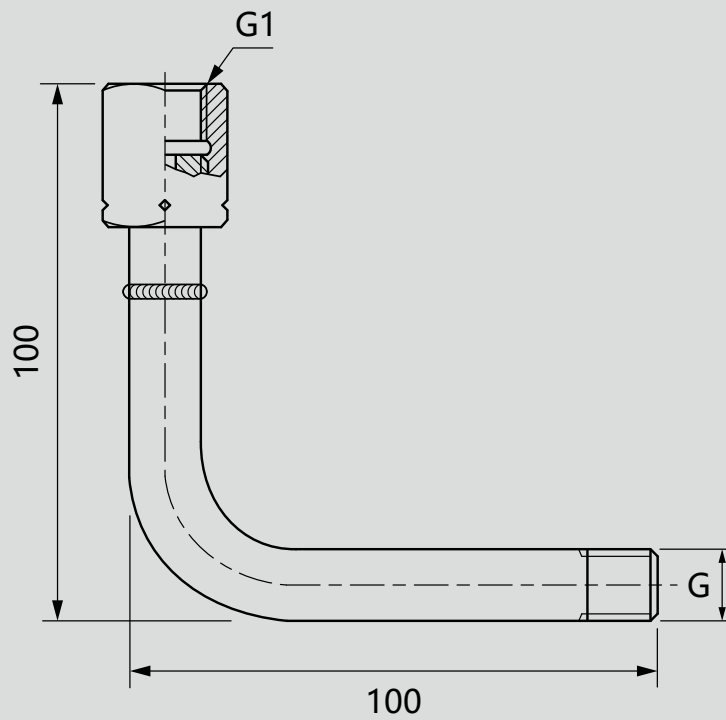
Dimensions

Type E

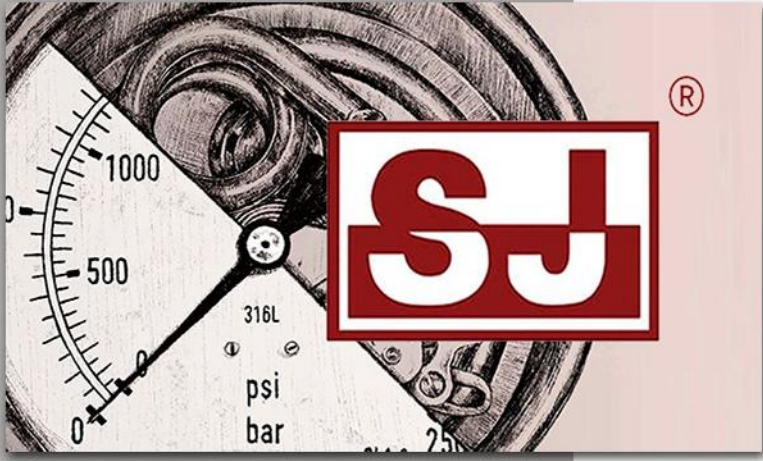


Unit: mm

Type L



Unit: mm



rsIMAC

Elementos For Manufacturing Processes



MEXICO BRANCH OFFICE

Roberto Diaz No. 401
Ciudad Industrial
Aguascalientes, Ags.
México
20290

4ManPro@4ManPro.com

+52 (449) 171 3420

www.4ManPro.com/SPA/

USA BRANCH OFFICE

708 Main St.
10th Floor
Houston, Tx, USA
77002

4ManPro_USA@4ManPro.com

+1 (832) 871 5022

www.4ManPro.com/ENG/