





Pressure Snubber

Model: PRA-SB



PRODUCT SPECIFICATION

Maximum Rated Pressure

150, 400, 600 bar

Body Material

Brass, 304 Stainless Steel,
316 Stainless Steel, Monel 400

Process Connection

1/8, 1/4, 3/8, 1/2
PT, G, NPT, M (Male)

Instrument Connection

1/8, 1/4, 3/8, 1/2
PT, G, NPT, M (Female)

Gasket Material

Nitrile Rubber (NBR),
Polytetrafluoroethylene (PTFE),
Fluororubber (FPM / Viton)

Maximum Operating Temperature

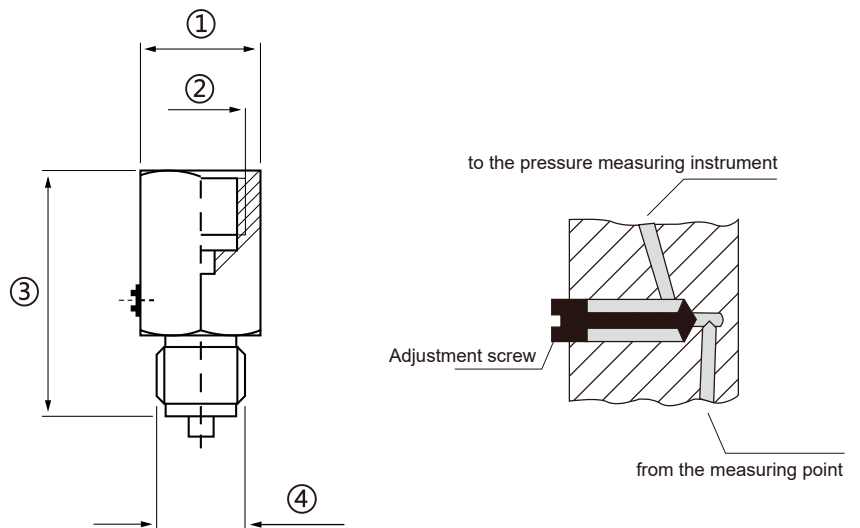
60°C - 120°C

PRODUCT DESCRIPTION

▼
Buffers to avoid damage by excessive pressure change, extending service life

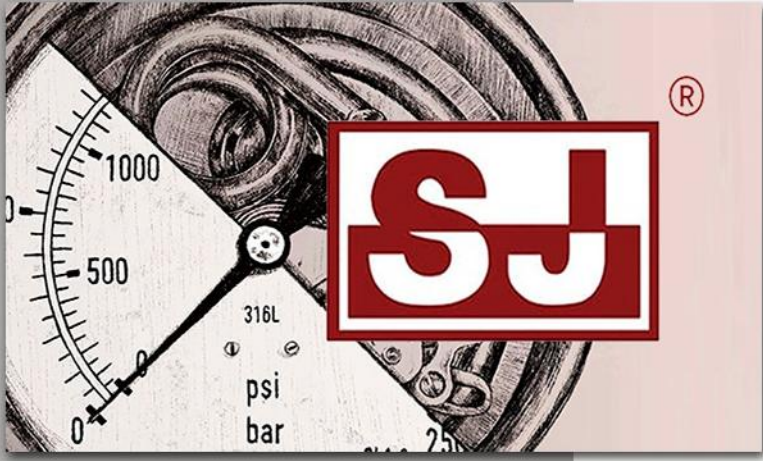
▼
Internal and external threads can be customized by type and size

DIMENSIONS



Dimensions(mm)			
①	②	③	④
SW27	G1/2	61	G1/2B

The product images displayed in the catalog are illustrative, and the actual products will be customized to your requirements.



rsIMMA

Elementos For Manufacturing Processes



MEXICO BRANCH OFFICE

Roberto Diaz No. 401
Ciudad Industrial
Aguascalientes, Ags.
México
20290

4ManPro@4ManPro.com

+52 (449) 171 3420

www.4ManPro.com/SPA/

USA BRANCH OFFICE

708 Main St.
10th Floor
Houston, Tx, USA
77002

4ManPro_USA@4ManPro.com

+1 (832) 871 5022

www.4ManPro.com/ENG/