





# Digital Pressure Gauge, LCD Display

Model: MXB



## PRODUCT DESCRIPTION

- ▼ Bar graph display can prevent overpressure
- ▼ Data logger helps record the highest and lowest peak values effectively
- ▼ Same material as PCE Deutschland GmbH

## PRODUCT SPECIFICATION

### Connection location

Bottom mount, back mount, with/without flange

### Nominal size

2.5", 3", 4"

### Scale ranges

0 ... 5 kPa to 0 ... 100 MPa (Gauge),  
0 ... 100 kPa(Absolute) , or other  
equivalent units of pressure, vacuum or  
compound

### Measuring medium

Liquid, gas, or steam flow as well as liquid  
level, density and pressure

### Pressure units

MPa, kg/cm<sup>2</sup>, bar, psi, mmH<sub>2</sub>O, kPa, Pa,  
inWC, mbar, mH<sub>2</sub>O, inHg, mmHg, Torr, atm  
(Up to 8 units can be switched, if not  
specified, the engineer will select it  
according to the pressure range)

### Accuracy

±0.4% F.S., ±0.2% F.S.

### Process connection

304 SS  
1/8, 1/4, 3/8, 1/2, 7/8  
PT \ G \ NPT \ M

### Case/Ring

304 SS, 316 SS

### Panel

Acrylic

### Diaphragm

316 SS

### Medium temperature

-20°C ... 60°C

### Display

5.5 digits  
LCD, switchable backlight button

### Response time

18 times/sec port

### Power supply

2.5" bottom mount, 3":  
3 × AAA batteries  
2.5" back mount:  
4 × AAA batteries(The top cover must  
be opened to replace the batteries)  
4" bottom mount:  
3 × AA batteries  
4" back mount:  
1 × 9V battery  
Recommended battery type:  
Alkaline batteries  
Optional external power supply:  
DC 24V, DC 5V, or other adapters such  
as AC 110V.

### Battery life

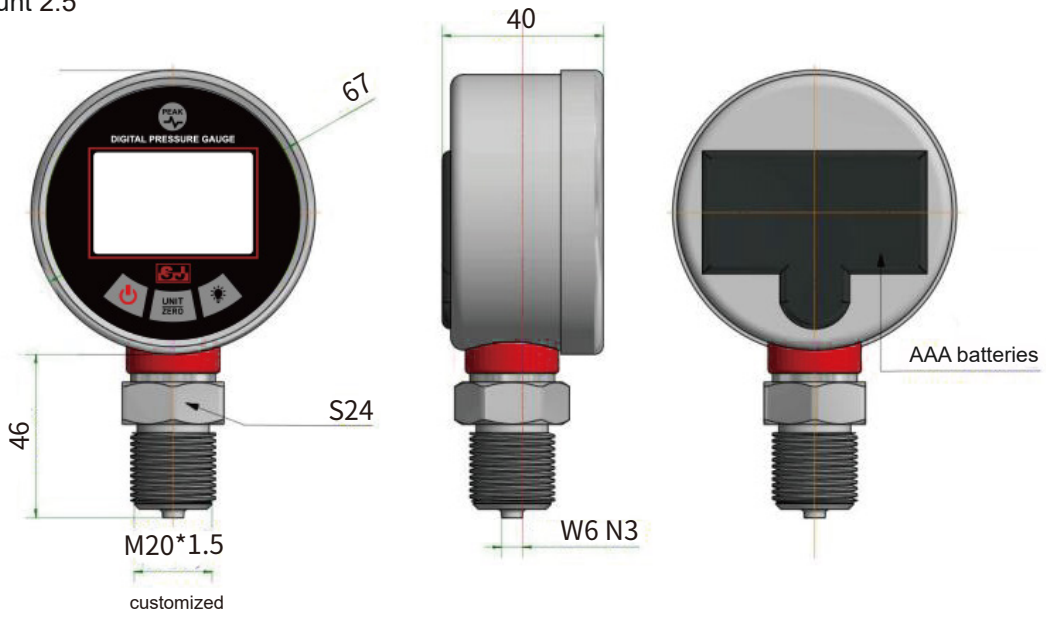
Approximately 4 months. Please refer  
to the operation manual for details.

### Protection level

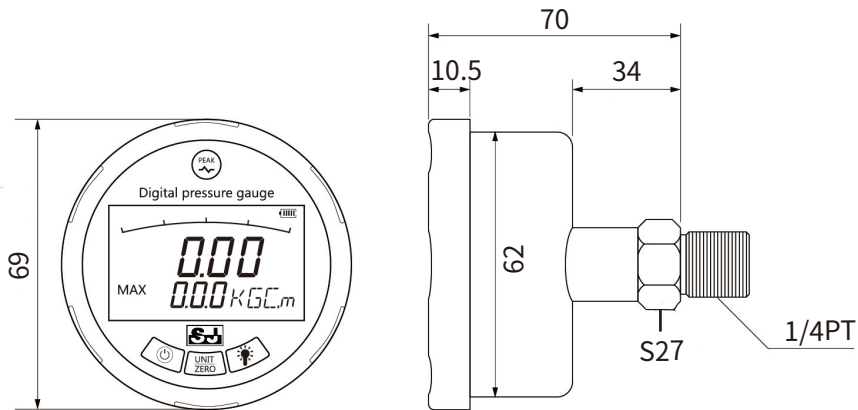
IP40

**DIMENSIONS (Unit: mm)**

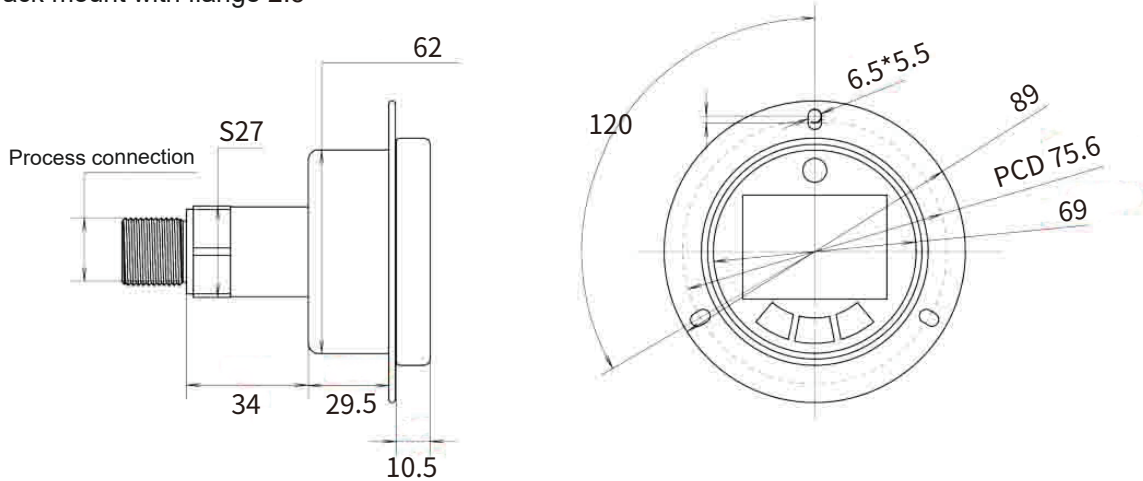
Bottom mount 2.5"



Back mount without flange 2.5"

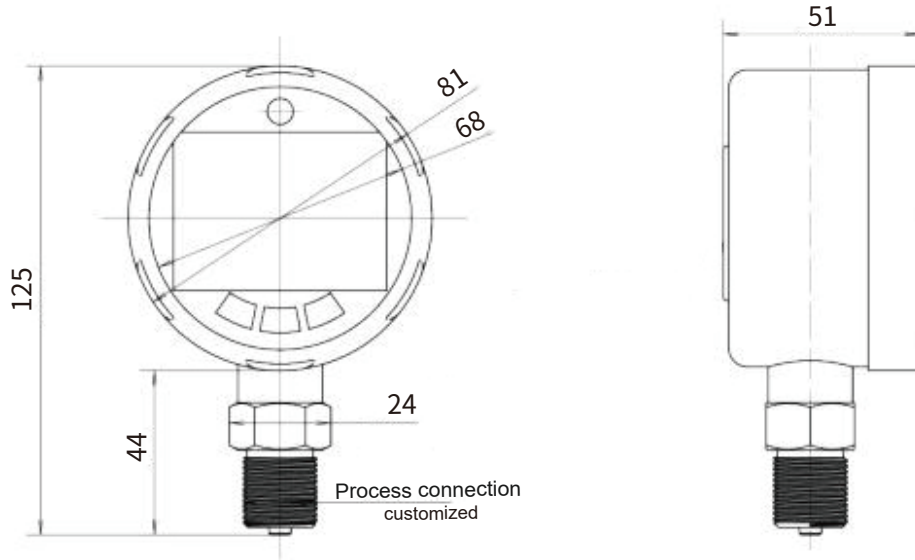


Back mount with flange 2.5"

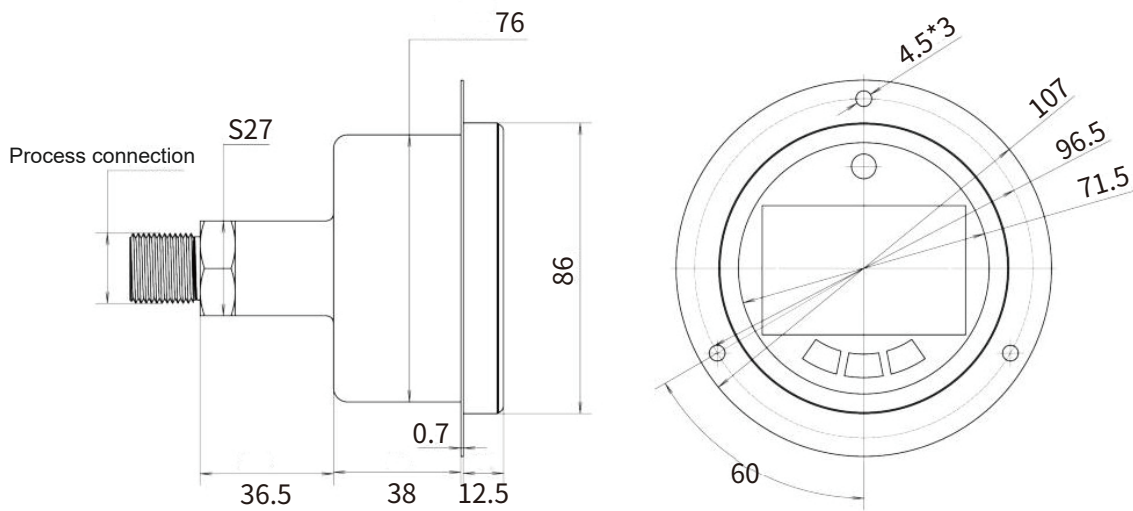


**DIMENSIONS (Unit: mm)**

Bottom mount 3"

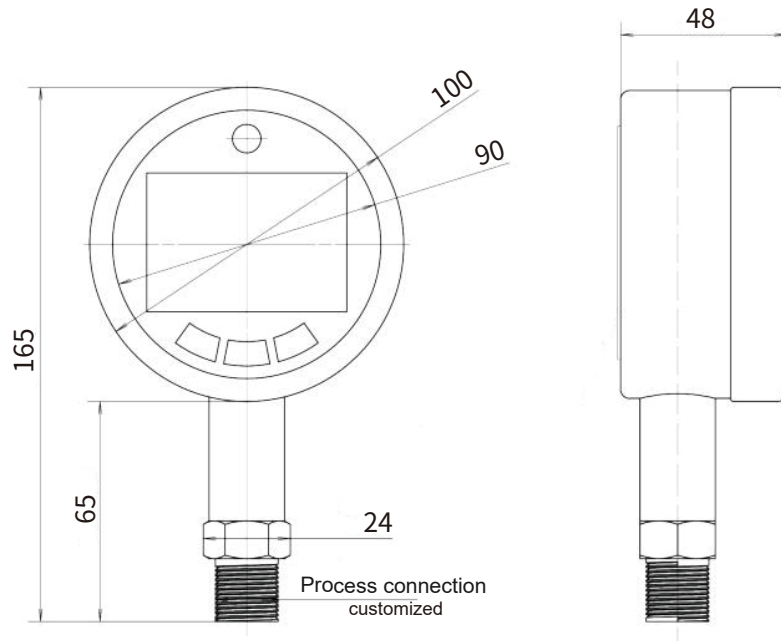


Back mount with flange 3"

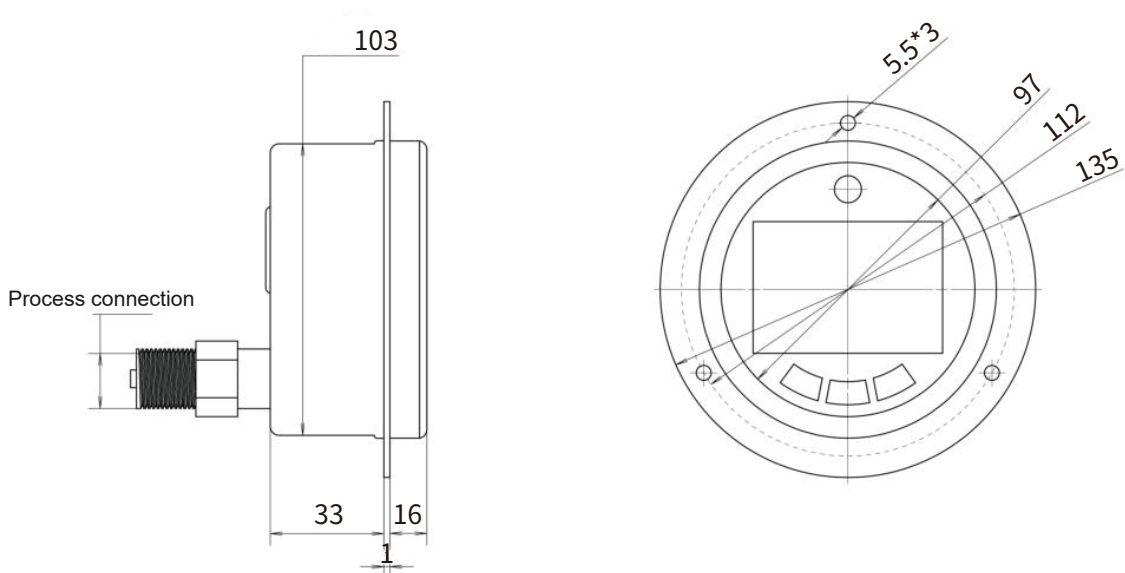


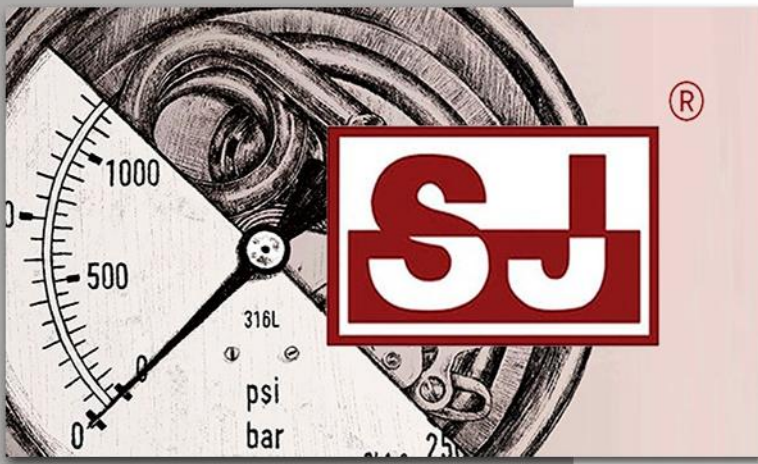
**DIMENSIONS (Unit: mm)**

Bottom mount 4"



Back mount with flange 4"





# rsIMMA

*Elementos For Manufacturing Purposes*



## **MEXICO BRANCH OFFICE**

Roberto Diaz No. 401  
Ciudad Industrial  
Aguascalientes, Ags.  
México  
20290

[4ManPro@4ManPro.com](mailto:4ManPro@4ManPro.com)

+52 (449) 171 3420

[www.4ManPro.com/SPA/](http://www.4ManPro.com/SPA/)

## **USA BRANCH OFFICE**

708 Main St.  
10<sup>th</sup> Floor  
Houston, Tx, USA  
77002

[4ManPro\\_USA](mailto:4ManPro_USA@4ManPro.com)

[@4ManPro.com](mailto:@4ManPro.com)

+1 (832) 871 5022

[www.4ManPro.com/ENG/](http://www.4ManPro.com/ENG/)