





# Expansion Thermometer, Capillary

Model: MTR.S



## PRODUCT DESCRIPTION

▼  
Capillary length can be adjusted on demand for remote observation

▼  
Made of stainless steel, measures temperatures up to 700°C

## PRODUCT SPECIFICATION

### Connection location

Lower mount with surface mounting flange, 6" lower mount with surface mounting bracket (3 holes), back mount with panel mounting, back mount with U-clamp

### Nominal size

2.5", 3", 4", 5", 6"

### Scale ranges

-50°C ... 700°C

### Accuracy

CL 1.0

### Process connection

304 SS, 316 SS  
1/4, 3/8, 1/2, 3/4  
PT, G, NPT, M

### Sanitary end cap

1", 1 1/2", 2", 2 1/2", 3", 4"

### Connection designs

Union nut and loose threaded connection, male thread, plain stem, compression fitting (sliding on stem), male nut, union nut, sanitary end cap, flange on stem

### Stem

304 SS, 316 SS  
Length:  
Above 50 mm (without thread)  
can be customized  
Diameter:  
6.35, 8, 9.5, 10, 12 mm

### Capillary

Sheathing: 304 SS, PVC, without  
Length: 0.2 M ... 20 M

### Case/Ring

304 SS, 316 SS

### Window

Glass, safety glass

### Dial

Aluminum alloy  
Black scale on white

### Pointer

Black aluminum alloy

### Filling liquid

Without, glycerine, silicone oil

### Ambient temperature

-20°C ... 70°C

### Accessories (option)

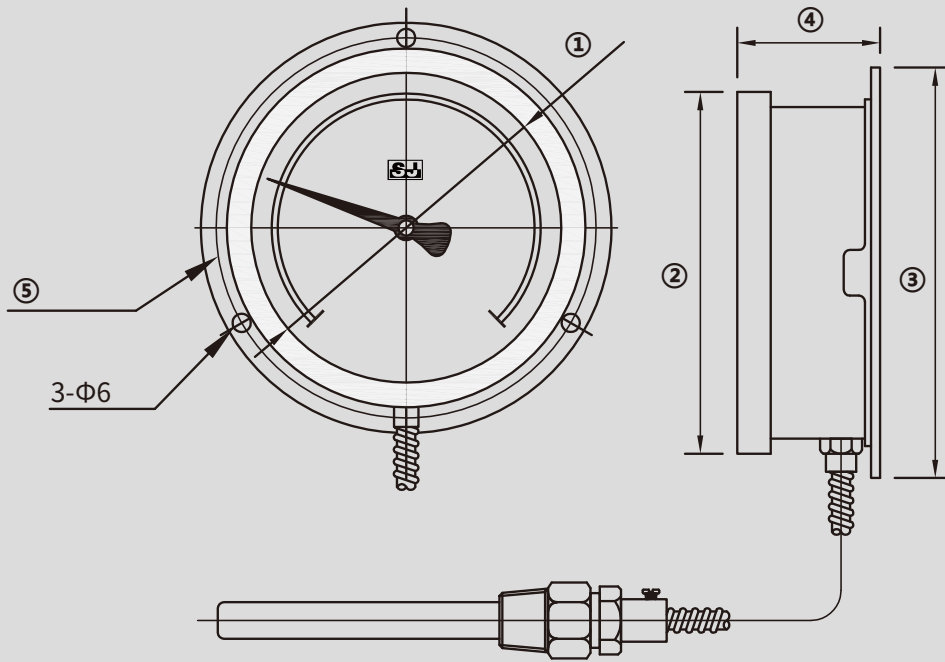
Thermowell, drag pointer, spacer, cable with signal output PT100

### IP rating

IP65

## DIMENSIONS

Lower mount with surface mounting flange

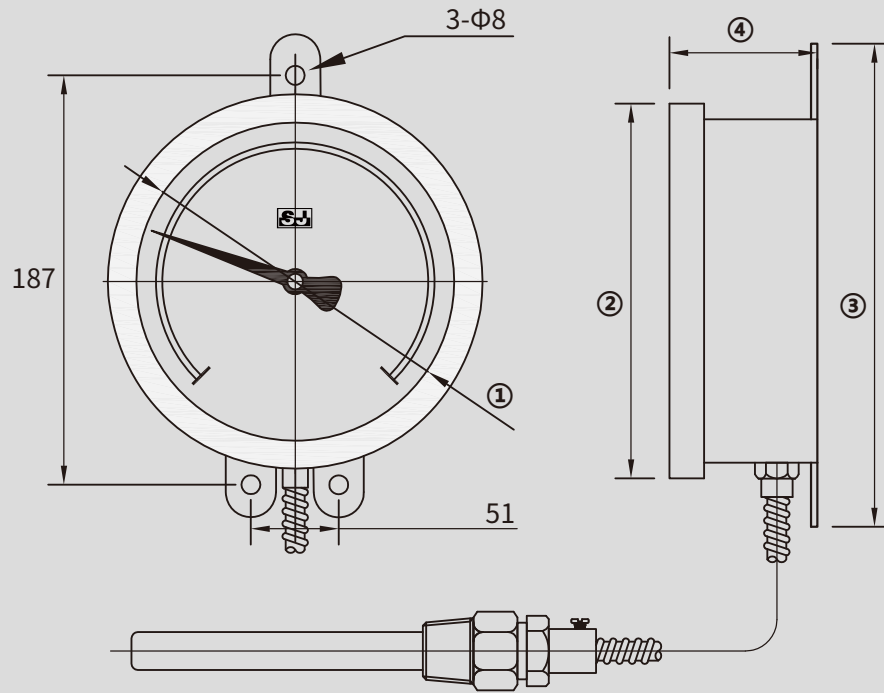


Dimensions (mm)

NS	①	②	③	④	⑤
2.5"	55	64	88	40	75
3"	70	85	102	47	91
4"	102	119	137	48	123
5"	110	127	145	51	131
6"	140	160	191	47	176

## DIMENSIONS

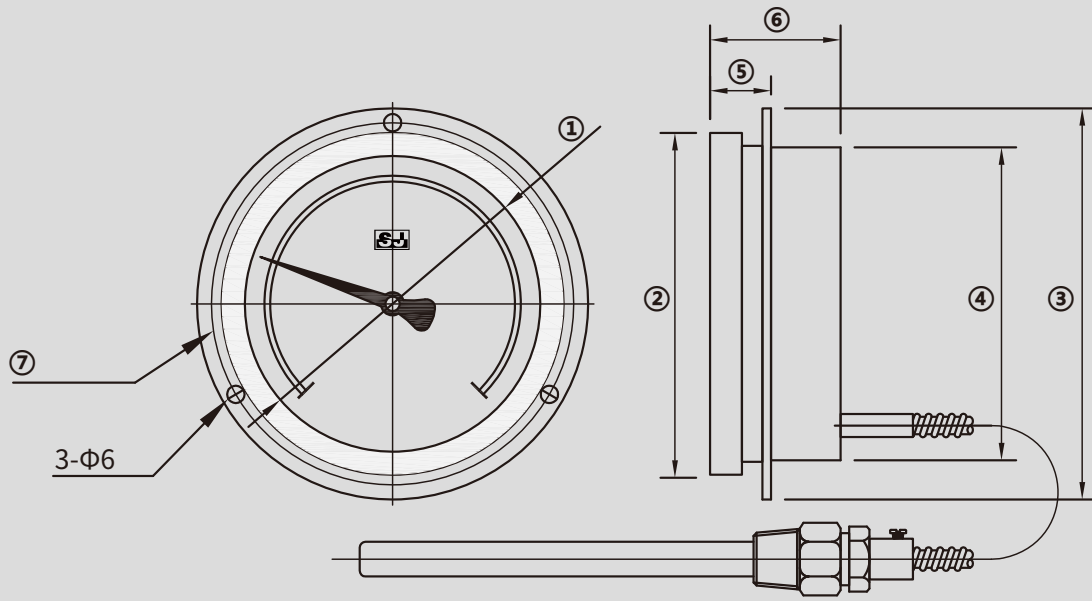
6" lower mount with surface mounting bracket (3 holes)



Dimensions (mm)				
NS	①	②	③	④
6"	140	160	210	47

## DIMENSIONS

Back mount with panel mounting

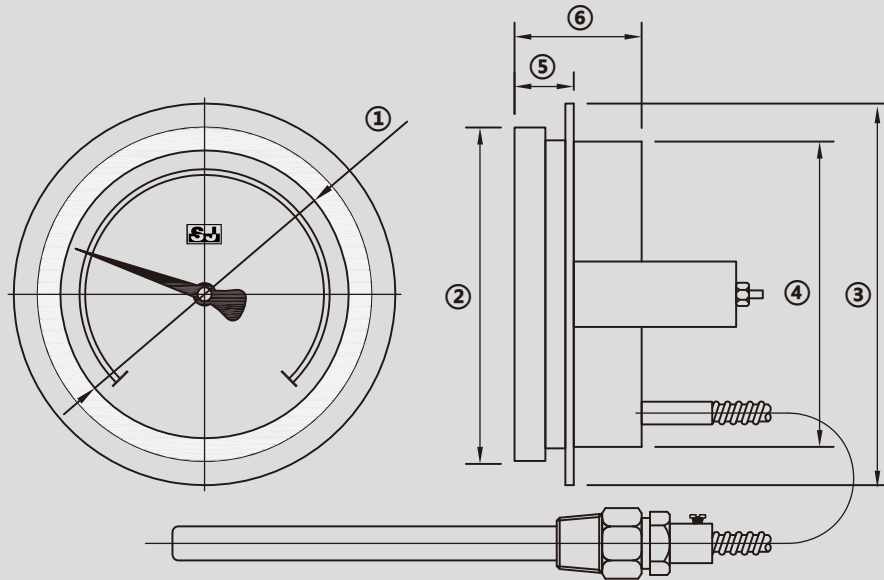


Dimensions (mm)

NS	①	②	③	④	⑤	⑥	⑦
2.5"	55	64	88	63	16	40	75
3"	70	85	102	76	16	47	91
4"	102	119	137	108 / 99	22	48	123
5"	110	127	145	117	18	51	131
6"	140	160	191	148	18	47	176

## DIMENSIONS

Back mount with U-clamp

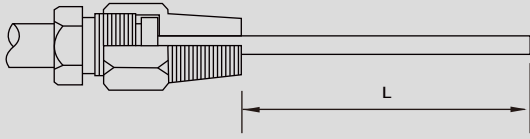


Dimensions (mm)

NS	①	②	③	④	⑤	⑥
2.5"	55	64	88	63	16	40
3"	70	85	102	76	16	47
4"	102	119	137	108 / 99	22	48
5"	110	127	145	117	18	51
6"	140	160	191	148	18	47

## CONNECTION DESIGNS

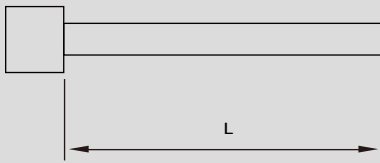
Union nut and loose threaded connection



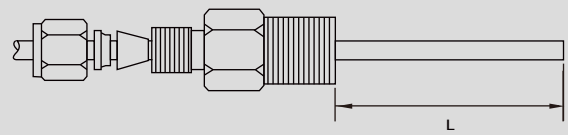
Male thread



Plain stem



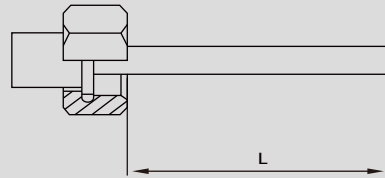
Compression fitting (sliding on stem)



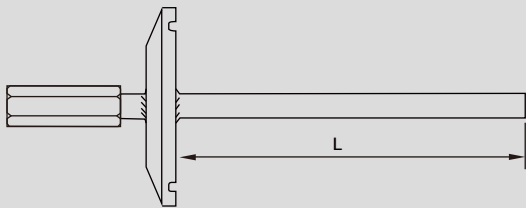
Male nut



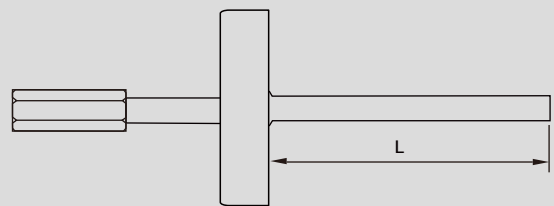
Union nut

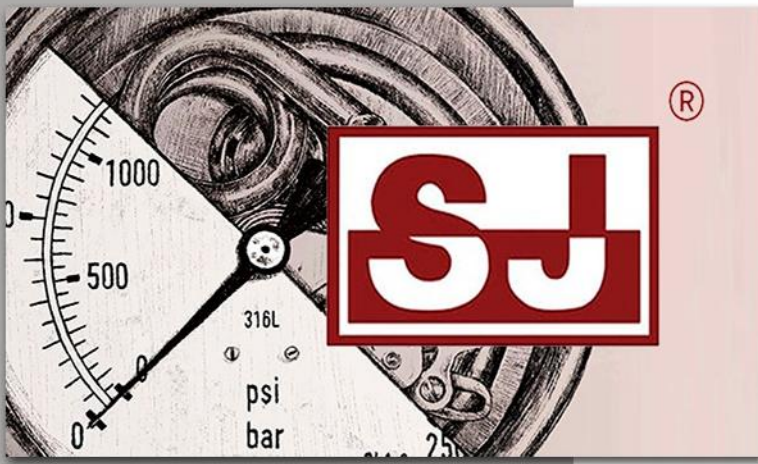


Sanitary end cap



Flange on stem





# rsIMMA

*Elementos For Manufacturing Purposes*



## **MEXICO BRANCH OFFICE**

Roberto Diaz No. 401  
Ciudad Industrial  
Aguascalientes, Ags.  
México  
20290

[4ManPro@4ManPro.com](mailto:4ManPro@4ManPro.com)

+52 (449) 171 3420  
[www.4ManPro.com/SPA/](http://www.4ManPro.com/SPA/)

## **USA BRANCH OFFICE**

708 Main St.  
10<sup>th</sup> Floor  
Houston, Tx, USA  
77002

[4ManPro\\_USA@4ManPro.com](mailto:4ManPro_USA@4ManPro.com)

+1 (832) 871 5022  
[www.4ManPro.com/ENG/](http://www.4ManPro.com/ENG/)