





Expansion Thermometer, Warning/Alarm Contact and Capillary

Model: MTR.S-E



PRODUCT DESCRIPTION

- ▼ Can measure the temperature devices with electrical contacts
- ▼ Length of the capillary can be adjusted on demand for remote observation
- ▼ If you do not need the contact function, please refer to MTR.S

PRODUCT SPECIFICATION

Connection location

Lower mount with surface mounting flange, lower mount with surface mounting bracket (3 holes), back mount with panel mounting flange, back mount with U-clamp

Nominal size

3", 4", 6"

Scale ranges

-50°C ... 700°C

Accuracy

CL 1.0

Process connection

304 SS, 316 SS
1/4, 3/8, 1/2, 3/4
PT, G, NPT, M

Connection designs

Union nut and loose threaded connection, male thread, plain stem, compression fitting (sliding on stem), male nut, union nut, sanitary end cap, flange on stem

Sanitary end cap

1", 1 1/2", 2", 2 1/2", 3", 4"

Stem

304 SS, 316 SS
Length:
Above 50 mm (without thread)
can be customized
Diameter:
6.35, 8, 9.5, 10, 12 mm

Capillary

Sheathing: 304 SS, PVC, without
Length: 0.2 M ... 20 M

Case/Ring

304 SS

Window

Glass, acrylic

Dial

Aluminum alloy
Black scale on white

Pointer

Black aluminum alloy

Case filling

Without, glycerine, silicone oil

Ambient temperature

-20°C ... 70°C

Switch contact

Type:

Banana connector, rear cable outlet, cable socket

Functions:

Single contact N.O., single contact N.C., double contacts N.O. + N.C.

Version:

Reed contact

Adjustment knob:

None, plastic knob with acrylic window, metal knob with glass window

Electrical contact specifications

Rated voltage: 250 V (Max.)

Contact capacity: 30 W ~ 50 VA (Max.)

Starting current: 1.0 A (Max.)

Breaking current: 1.0 A (Max.)

Persistent current: 0.6 A (Max.)

Accessories (option)

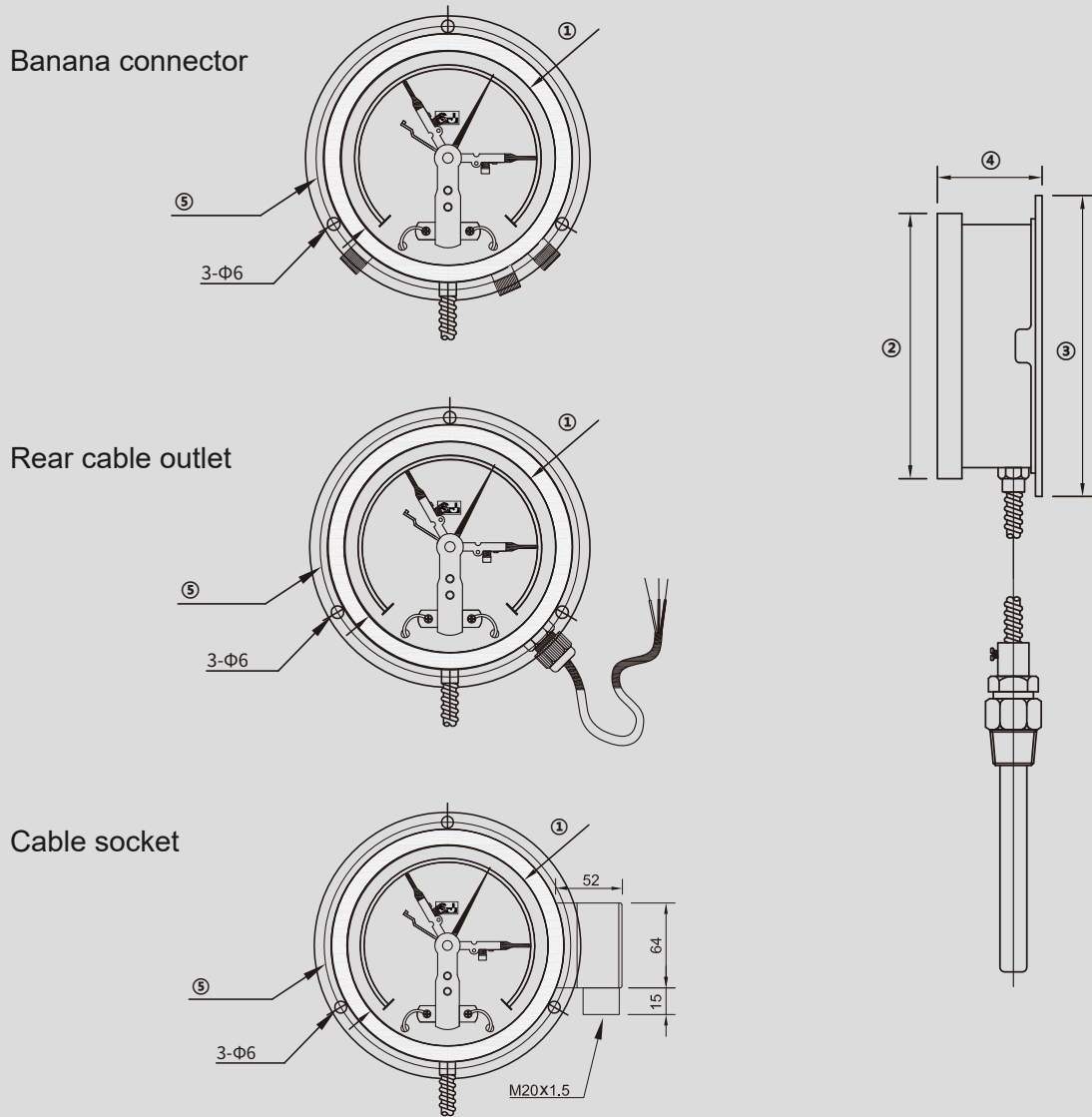
Thermowell, drag pointer, spacer, cable with signal output PT100

IP rating

IP65

DIMENSIONS

Lower mount with surface mounting flange

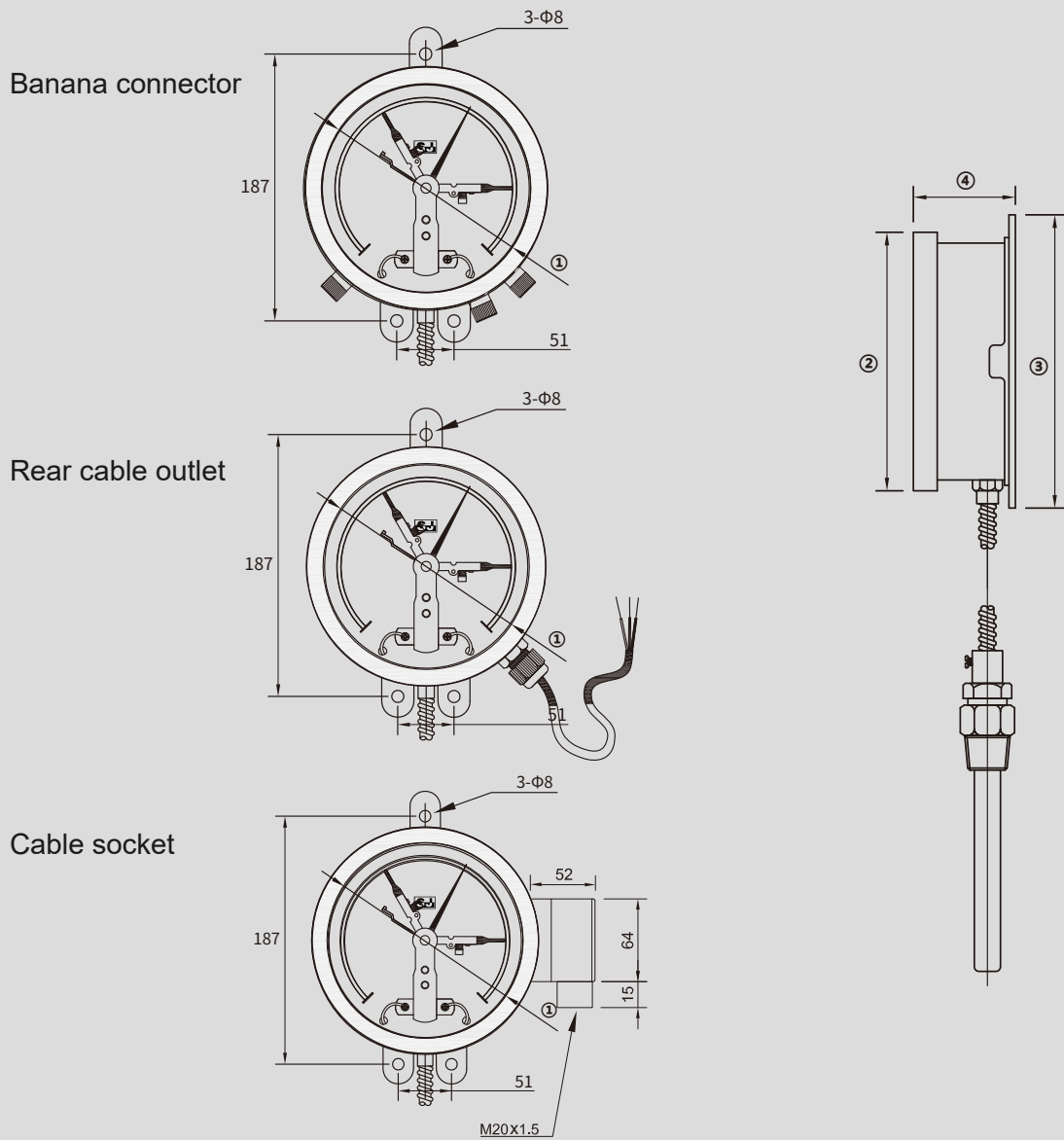


Dimensions (mm)					
NS	①	②	③	④	⑤
3"	70	85	102	47	91
4"	102	119	137	80	123
6"	140	160	191	26/40	176

* 6" ④ represent the heights of single contact / double contacts.

DIMENSIONS

Lower mount with surface mounting bracket (3 holes)



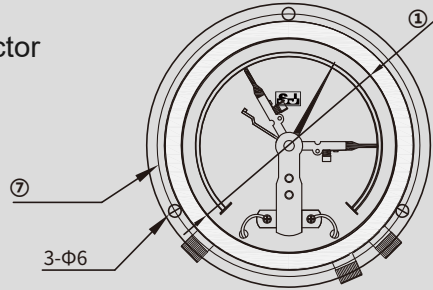
Dimensions (mm)				
NS	①	②	③	④
6"	140	160	210	26/40

* 6" ④ represent the heights of single contact / double contacts.

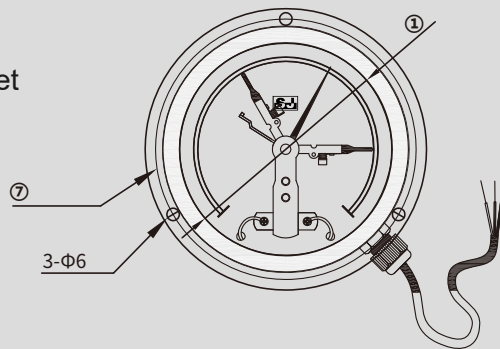
DIMENSIONS

Back mount with panel mounting flange

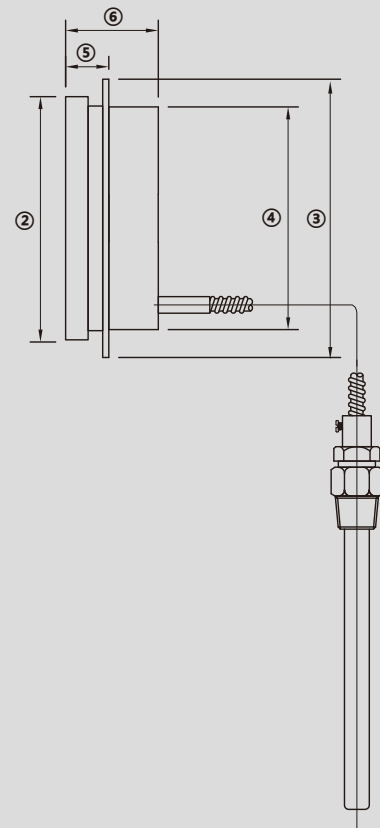
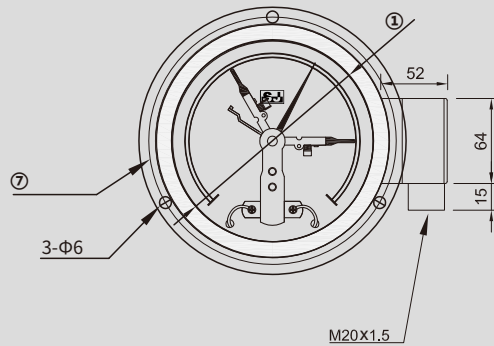
Banana connector



Rear cable outlet



Cable socket

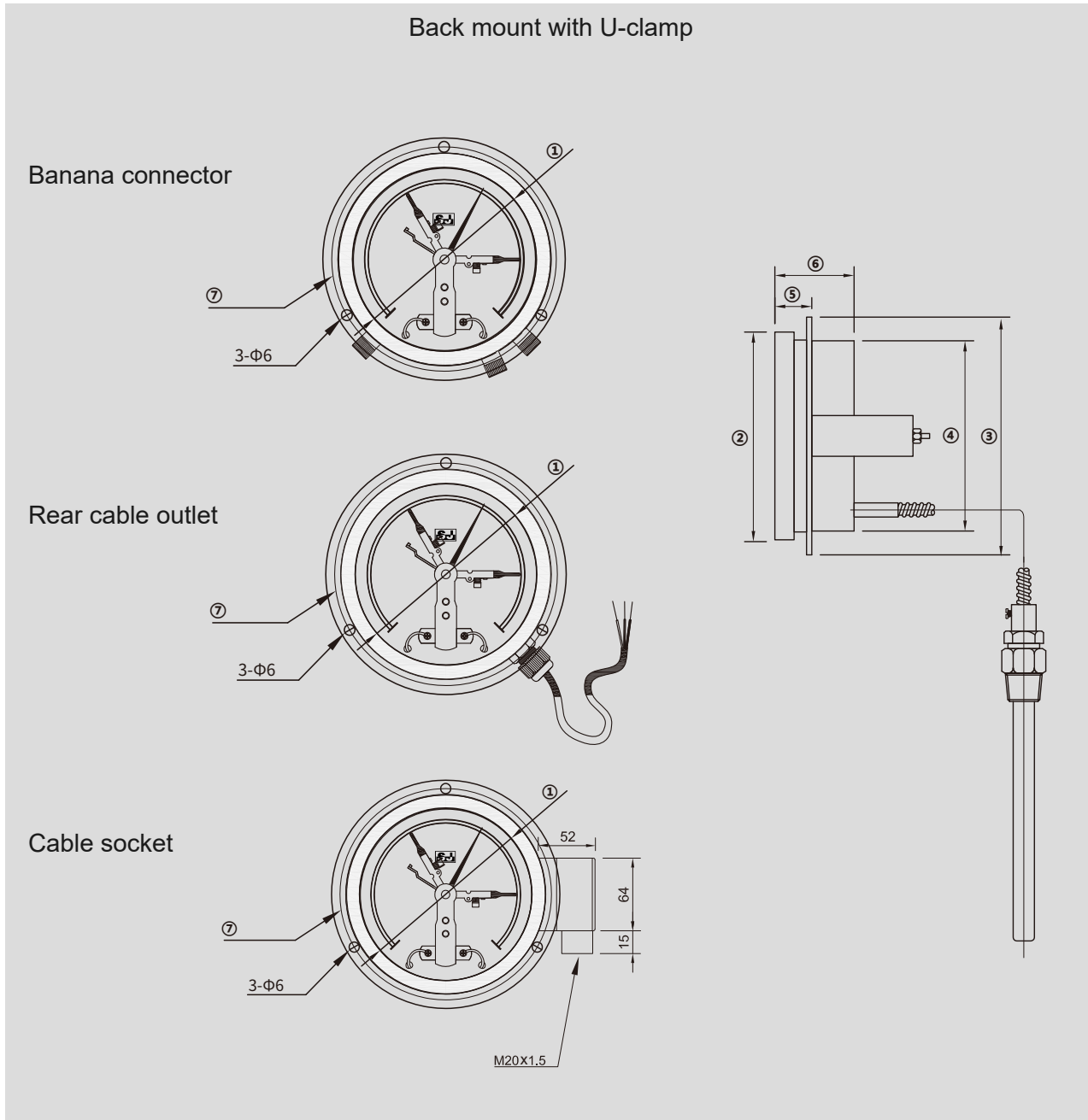


Dimensions (mm)

NS	①	②	③	④	⑤	⑥	⑦
3"	70	85	102	76	16	47	91
4"	102	119	137	108	22	80	123
6"	140	160	191	148	18	26/40	176

* 6" ⑥ represent the heights of single contact / double contacts.

DIMENSIONS

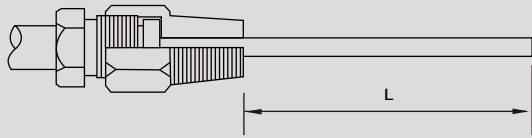


Dimensions (mm)						
NS	①	②	③	④	⑤	⑥
3"	70	85	102	76	16	47
4"	102	119	137	108	22	80
6"	140	160	191	148	18	26/40

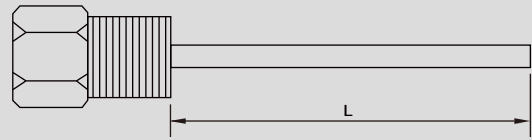
* 6" ⑥ represent the heights of single contact / double contacts.

CONNECTION DESIGN

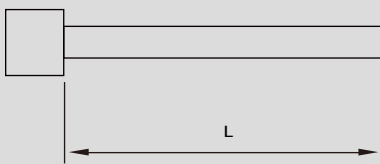
Union nut and loose threaded connection



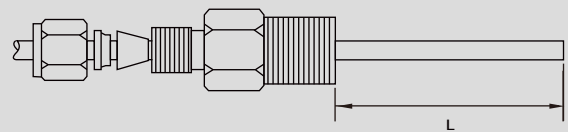
Male thread



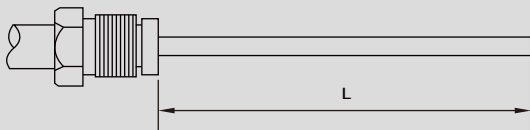
Plain stem



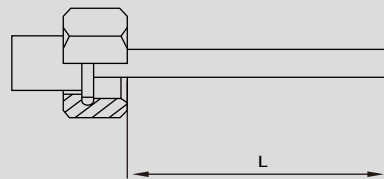
Compression fitting (sliding on stem)



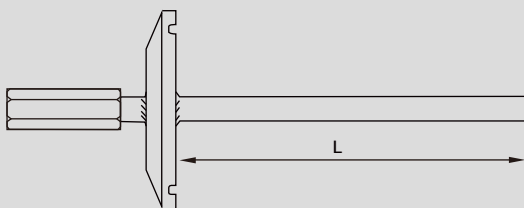
Male nut



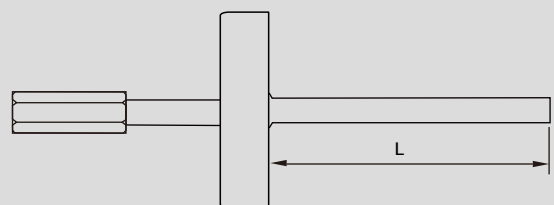
Union nut



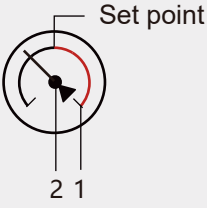
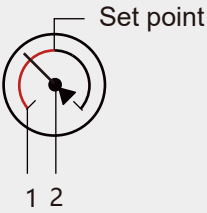
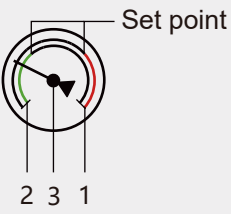
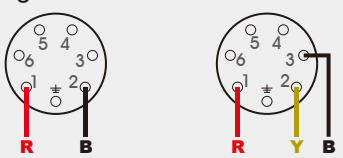
Sanitary end cap



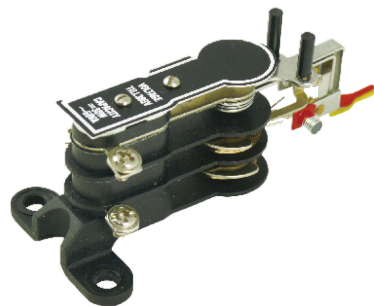
Flange on stem

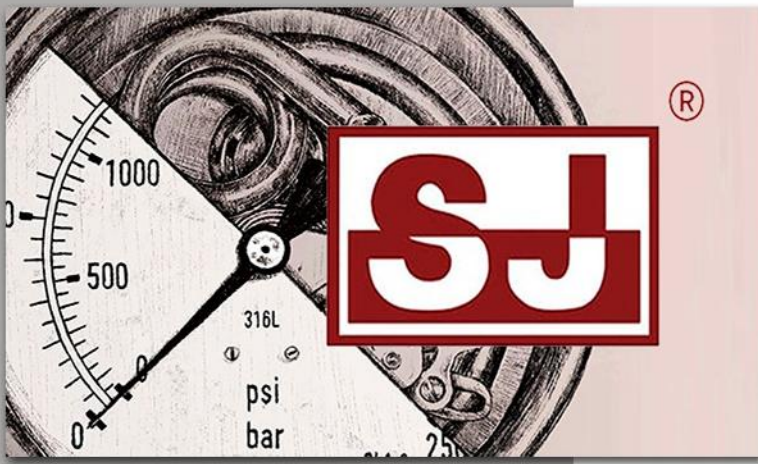


CONTACT TYPE

Single contact	
 <p>Set point</p> <p>2 1</p>	<p>2R Single contact N.O. S1 contact makes when the pointer reaches the set point.</p>
 <p>Set point</p> <p>1 2</p>	<p>2G Single contact N.C. S1 contact breaks when the pointer reaches the set point.</p>
Double contacts	
 <p>Set point</p> <p>2 3 1</p>	<p>3RG Double contacts N.O. + N.C. S1 contact makes and S2 contact breaks when the pointer reaches the set point.</p>
Cable socket	
<p>Single contact Double contacts</p> 	<p>Note: If the PT100Ω temperature sensor signal output is purchased as an additional option, the PT100Ω terminals A, B, and B' correspond to connection points 4, 5, and 6 within the junction box.</p>

* Note: special contact type can be customized.





rsIMAC

Elementos For Manufacturing Purposes



MEXICO BRANCH OFFICE

Roberto Diaz No. 401
Ciudad Industrial
Aguascalientes, Ags.
México
20290

4ManPro@4ManPro.com

+52 (449) 171 3420
www.4ManPro.com/SPA/

USA BRANCH OFFICE

708 Main St.
10th Floor
Houston, Tx, USA
77002

4ManPro_USA@4ManPro.com

+1 (832) 871 5022
www.4ManPro.com/ENG/