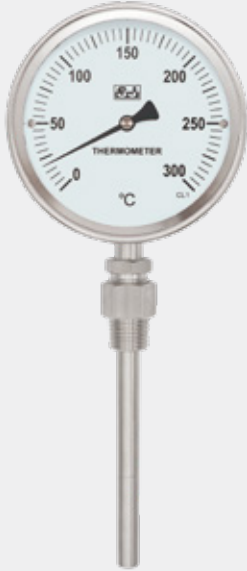






# Bimetallic Thermometer, Gas-actuated

Model: MTG



## PRODUCT DESCRIPTION

- ▼ Fast measuring reaction
- ▼ Measuring range can be adjusted up to 600° C
- ▼ Used in chemical and petrochemical industries, etc.

## PRODUCT SPECIFICATION

### Connection location

Bottom mount, back mount,  
adjustable angle

### Nominal size

2.5", 3", 4", 5", 6"

### Scale ranges

-50°C ... 700°C

### Accuracy

CL 1.0

### Process connection

304 SS, 316 SS

1/4, 3/8, 1/2, 3/4

PT, G, NPT, M

### Sanitary end cap

1", 1 1/2", 2", 2 1/2", 3", 4"

### Connection designs

Union nut and loose threaded connection,  
male thread, plain stem,  
compression fitting (sliding on stem),  
male nut, union nut, sanitary end cap,  
flange on stem

### Stem

304 SS, 316 SS

Length:

Above 50 mm (without thread)

can be customized

Diameter:

6.35, 8, 9.5, 10, 12 mm

### Case/Ring

304 SS

### Window

Glass, safety glass

### Dial

Aluminum alloy

Black scale on white

### Pointer

Black aluminum alloy

### Filling liquid

Without, glycerine, silicone oil

### Accessories (option)

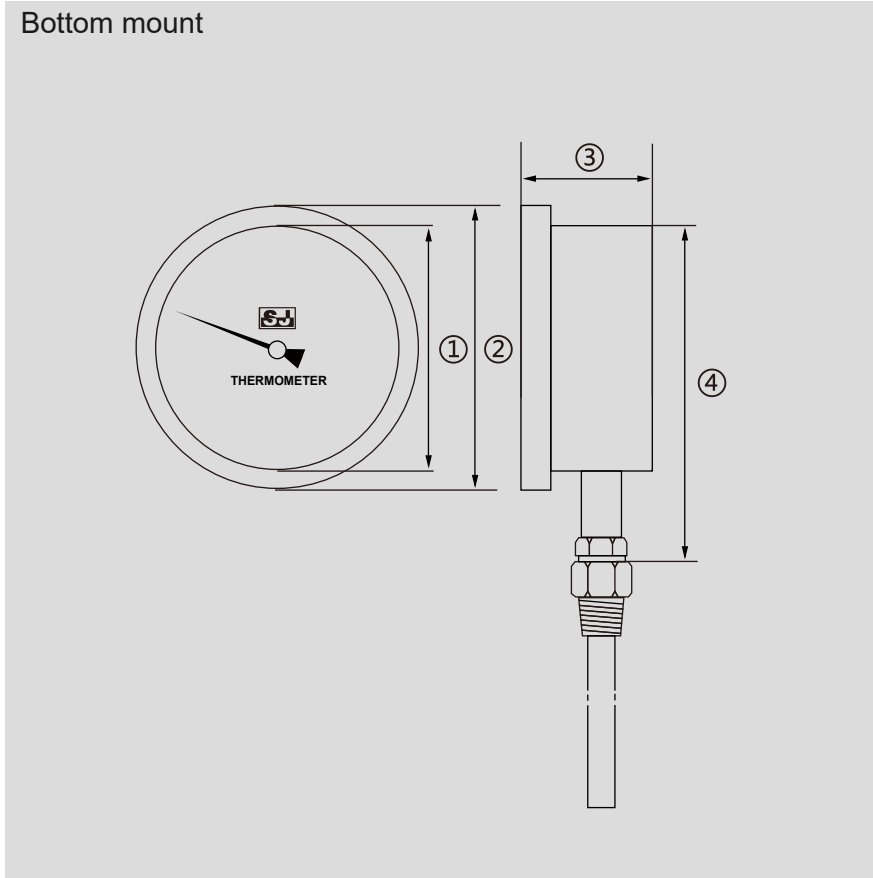
Thermowell, drag pointer, spacer,  
cable with signal output PT100

### Protection

IP 65

## DIMENSIONS

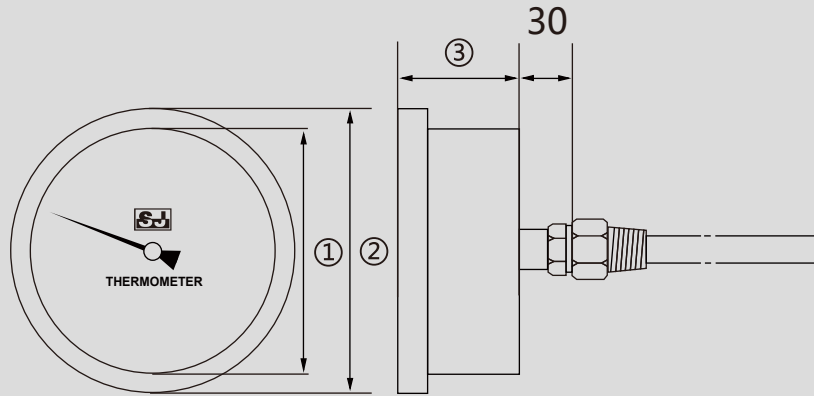
Bottom mount



Dimensions (mm)				
NS	①	②	③	④
2.5"	55	64	40	90
3"	70	85	47	106
4"	102	119	48	138
5"	110	127	51	147
6"	140	160	47	178

## DIMENSIONS

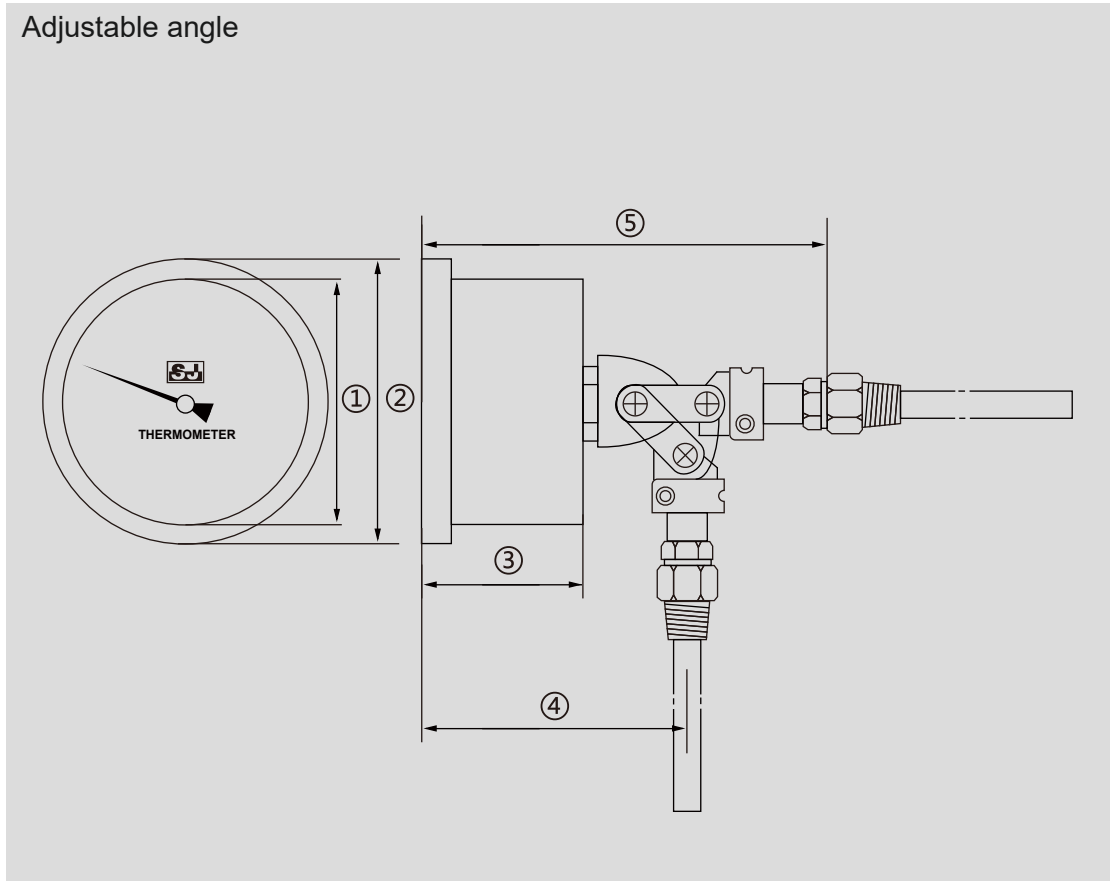
Back mount



Dimensions (mm)			
NS	①	②	③
2.5"	55	64	40
3"	70	85	47
4"	102	119	48
5"	110	127	51
6"	140	160	47

## DIMENSIONS

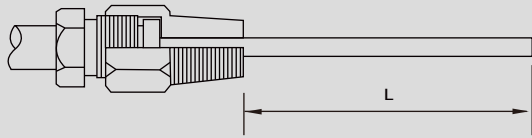
Adjustable angle



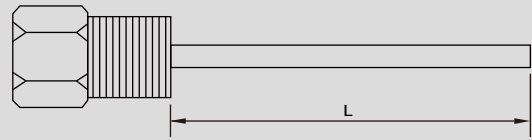
Dimensions (mm)					
NS	①	②	③	④	⑤
2.5"	55	64	40	80	146
3"	70	85	47	87	153
4"	102	119	48	88	154
5"	110	127	51	91	157
6"	140	160	47	87	153

# CONNECTION DESIGN

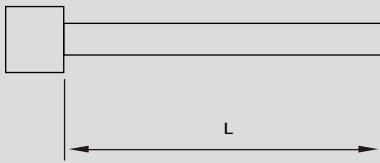
Union nut and loose threaded connection



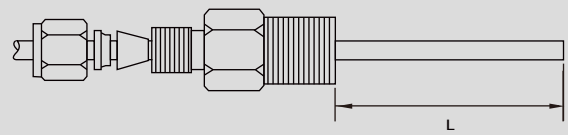
Male thread



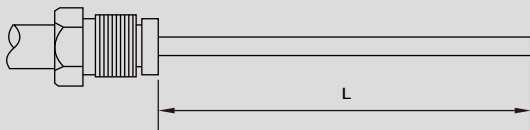
Plain stem



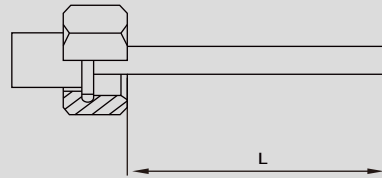
Compression fitting (sliding on stem)



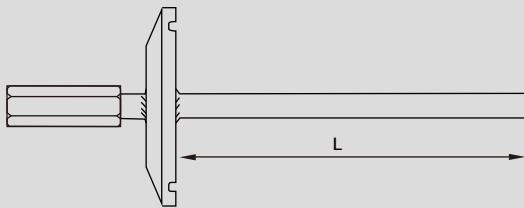
Male nut



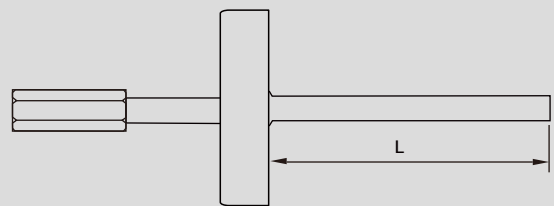
Union nut

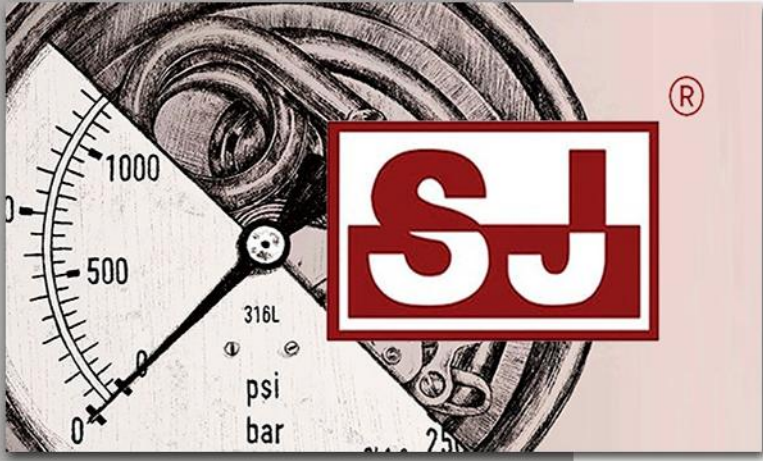


Sanitary end cap



Flange on stem





# rsIMMA

*Elementos For Manufacturing Purposes*



## **MEXICO BRANCH OFFICE**

Roberto Diaz No. 401  
Ciudad Industrial  
Aguascalientes, Ags.  
México  
20290

[4ManPro@4ManPro.com](mailto:4ManPro@4ManPro.com)

+52 (449) 171 3420

[www.4ManPro.com/SPA/](http://www.4ManPro.com/SPA/)

## **USA BRANCH OFFICE**

708 Main St.  
10<sup>th</sup> Floor  
Houston, Tx, USA  
77002

[4ManPro\\_USA](mailto:4ManPro_USA@4ManPro.com)

[@4ManPro.com](mailto:@4ManPro.com)

+1 (832) 871 5022

[www.4ManPro.com/ENG/](http://www.4ManPro.com/ENG/)