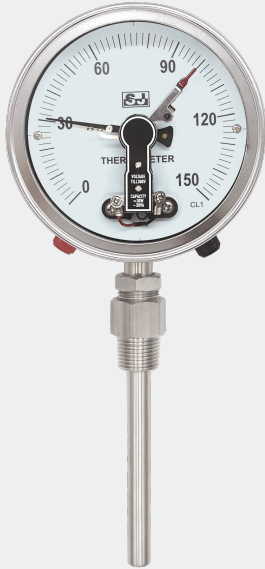






Expansion Thermometer, Alarm Contact

Model: MTG-E



PRODUCT DESCRIPTION

▼
Thermometer with magnetic snap-action contact available for automated control

▼
Used in machine building, factory, and vessel construction

PRODUCT SPECIFICATION

Connection location

Bottom mount, back mount,
adjustable angle

Nominal size

3", 4", 6"

Scale ranges

-50°C ... 700°C

Accuracy

CL 1.0

Process connection

304 SS, 316 SS

1/4, 3/8, 1/2, 3/4

PT, G, NPT, M

Connection designs

Union nut and loose threaded connection,
male thread, plain stem,
compression fitting (sliding on stem),
male nut, union nut, sanitary end cap,
flange on stem

Sanitary end cap

1", 1 1/2", 2", 2 1/2", 3", 4"

Stem

304 SS, 316 SS

Length:

Above 50 mm (without thread)

can be customized

Diameter:

6.35, 8, 9.5, 10, 12 mm

Case/Ring

304 SS

Window

Glass, acrylic

Dial

Aluminum alloy

Black scale on white

Pointer

Black aluminum alloy

Switch contact

Type:

Banana connector, rear cable outlet,
cable socket

Functions:

Single contact N.O., single contact N.C.,
double contacts N.O. + N.C.

Version:

Reed contact

Adjustment knob:

None, plastic knob with acrylic window,
metal knob with glass window

Electrical contact specifications

Rated voltage: 250 V (Max.)

Contact capacity: 30 W ~ 50 VA (Max.)

Starting current: 1.0 A (Max.)

Breaking current: 1.0 A (Max.)

Persistent current: 0.6 A (Max.)

Accessories (option)

Thermowell, drag pointer, spacer,
cable with signal output PT100

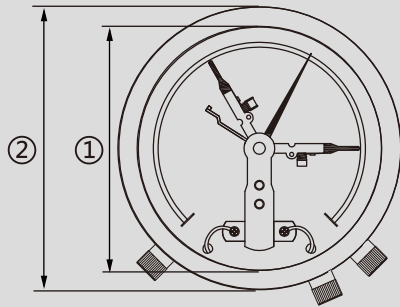
IP rating

IP65

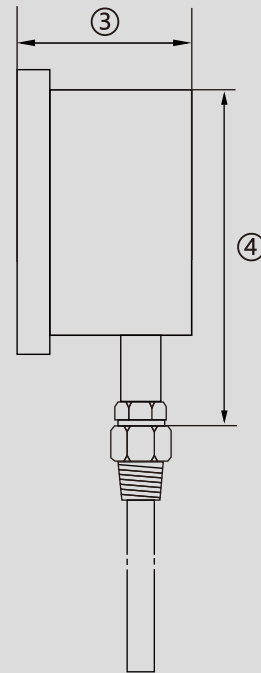
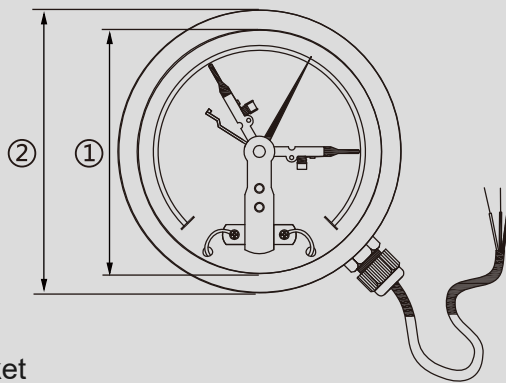
DIMENSIONS

Bottom mount

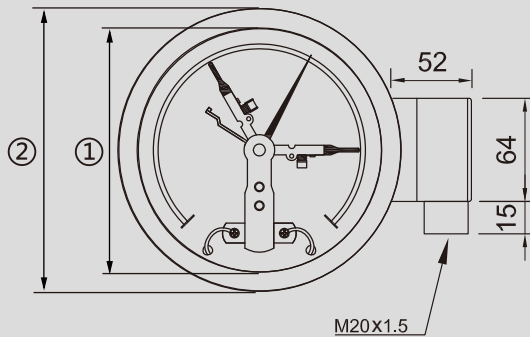
Banana connector



Rear cable outlet



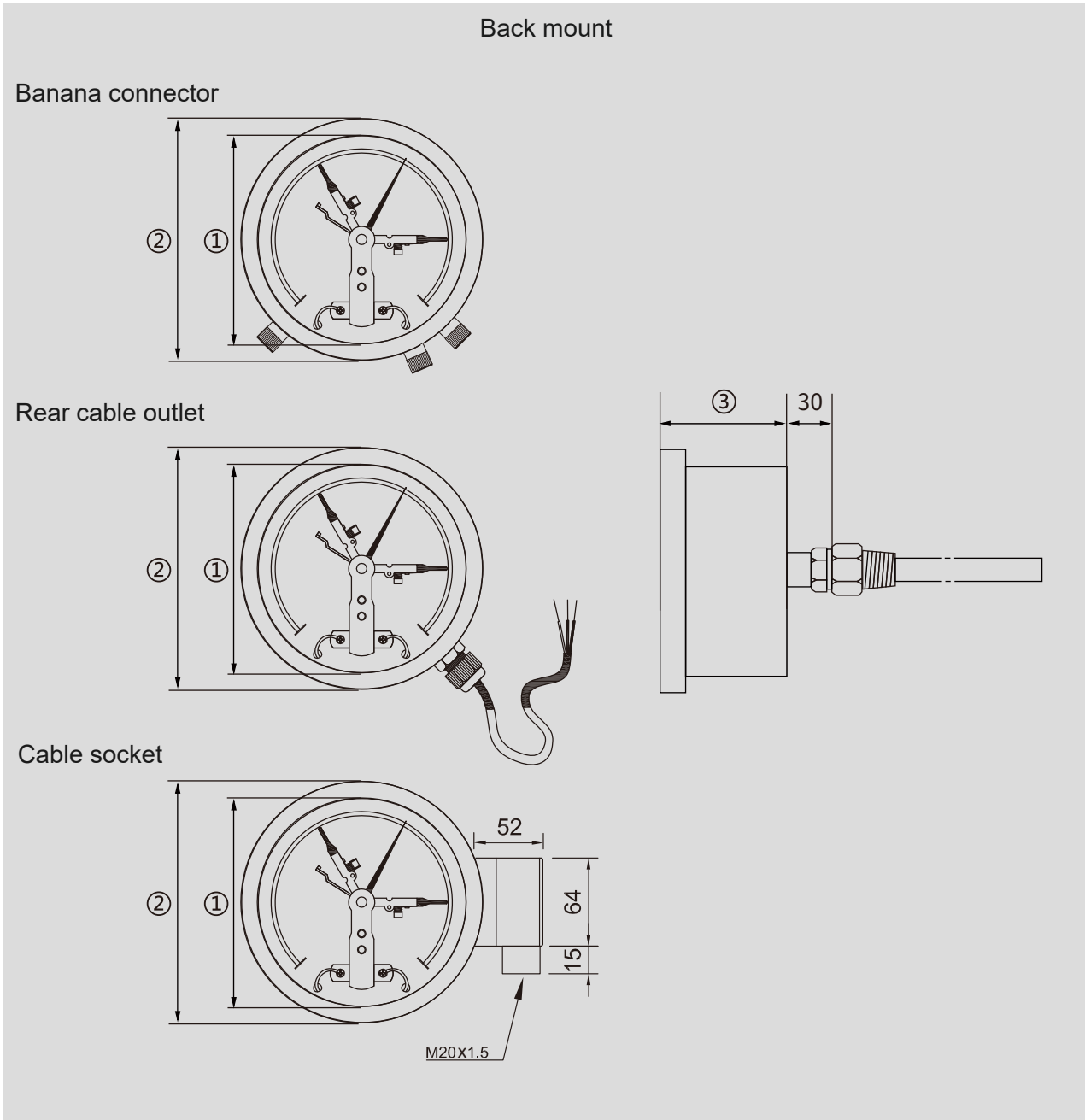
Cable socket



Dimensions (mm)				
NS	①	②	③	④
3"	70	85	47	106
4"	102	119	80	138
6"	140	160	73/87 *	178

* 6" ③ represent the heights of single contact / double contacts.

DIMENSIONS



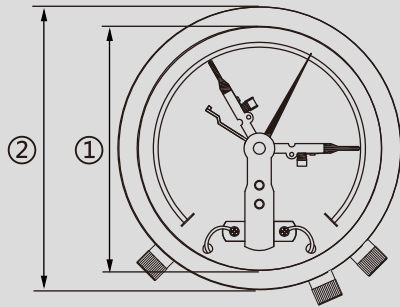
Dimensions (mm)			
NS	①	②	③
3"	70	85	47
4"	102	119	80
6"	140	160	73/87 *

* 6" ③ represent the heights of single contact / double contacts.

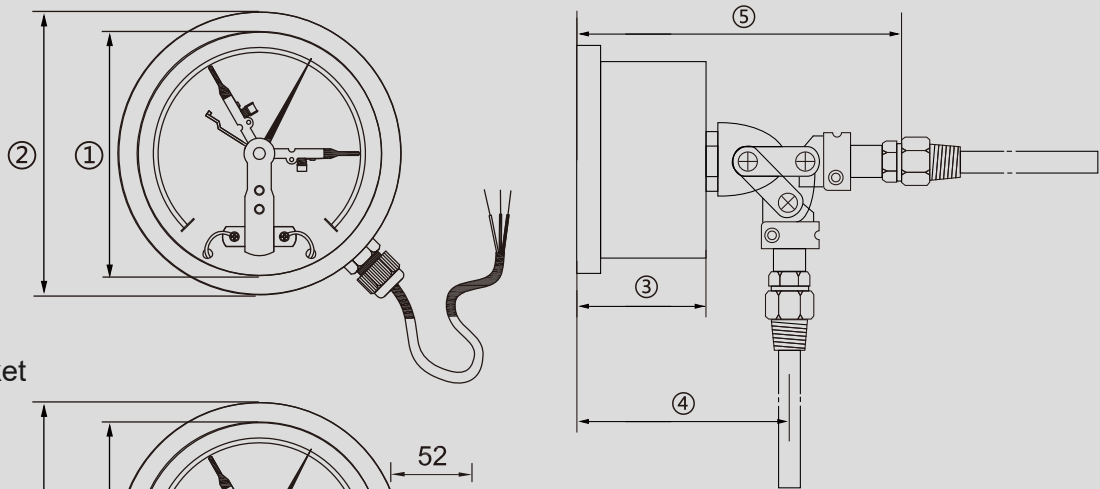
DIMENSIONS

Adjustable angle

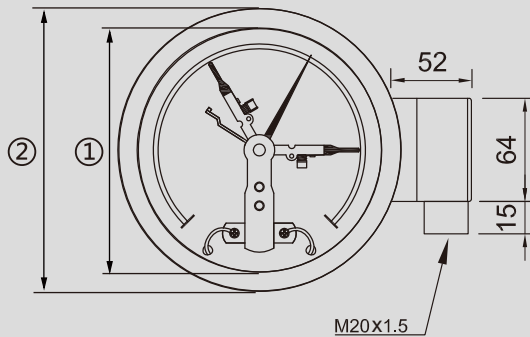
Banana connector



Rear cable outlet



Cable socket

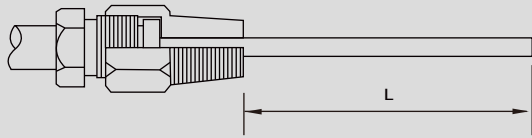


Dimensions (mm)					
NS	①	②	③	④	⑤
3"	70	85	47	87	153
4"	102	119	80	88	154
6"	140	160	73/87 *	87	153

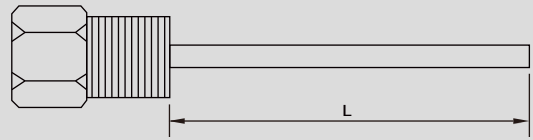
* 6" ③ represent the heights of single contact / double contacts.

CONNECTION DESIGN

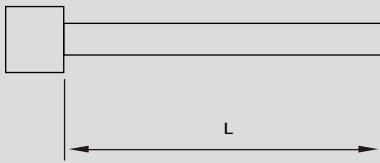
Union nut and loose threaded connection



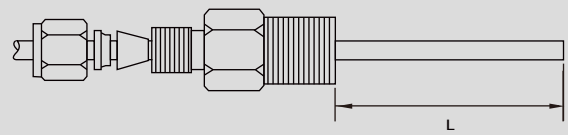
Male thread



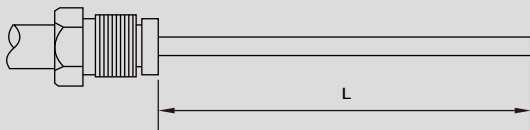
Plain stem



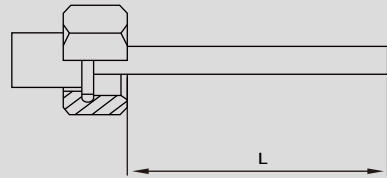
Compression fitting (sliding on stem)



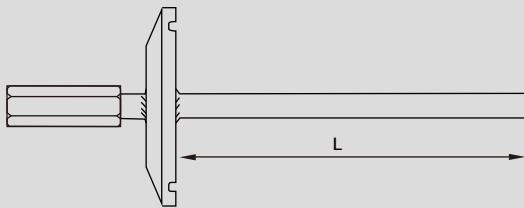
Male nut



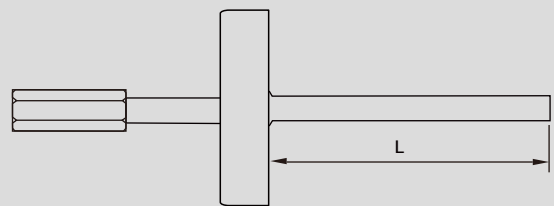
Union nut



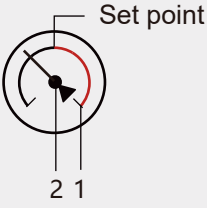
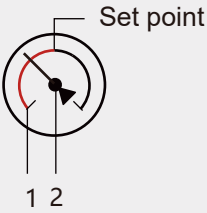
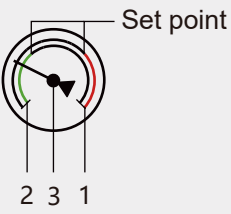
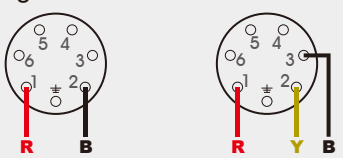
Sanitary end cap



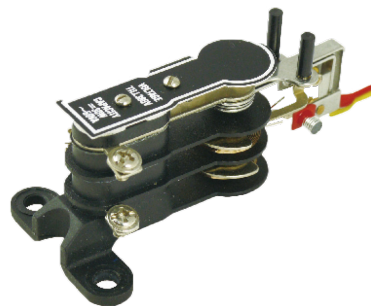
Flange on stem

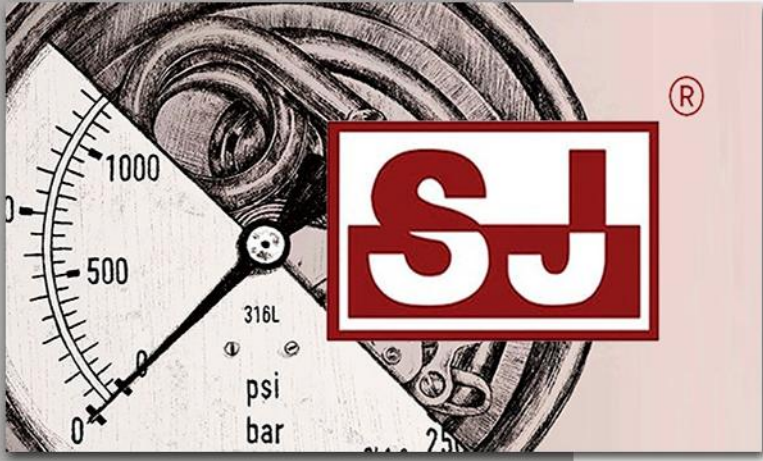


CONTACT TYPE

Single contact	
 <p>Set point</p> <p>2 1</p>	<p>2R Single contact N.O.</p> <p>S1 contact makes when the pointer reaches the set point.</p>
 <p>Set point</p> <p>1 2</p>	<p>2G Single contact N.C.</p> <p>S1 contact breaks when the pointer reaches the set point.</p>
Double contacts	
 <p>Set point</p> <p>2 3 1</p>	<p>3RG Double contacts N.O. + N.C.</p> <p>S1 contact makes and S2 contact breaks when the pointer reaches the set point.</p>
Cable socket	
<p>Single contact Double contacts</p> 	<p>Note:</p> <p>If the signal output PT100Ω is purchased, the PT100Ω's terminals A, B, and B' correspond to connection points 4, 5, and 6 within the junction box.</p>

* Note: special contact type can be customized.





rsIMMA

Elementos For Manufacturing Processes



MEXICO BRANCH OFFICE

Roberto Diaz No. 401
Ciudad Industrial
Aguascalientes, Ags.
México
20290

4ManPro@4ManPro.com

+52 (449) 171 3420

www.4ManPro.com/SPA/

USA BRANCH OFFICE

708 Main St.
10th Floor
Houston, Tx, USA
77002

4ManPro_USA@4ManPro.com

+1 (832) 871 5022

www.4ManPro.com/ENG/