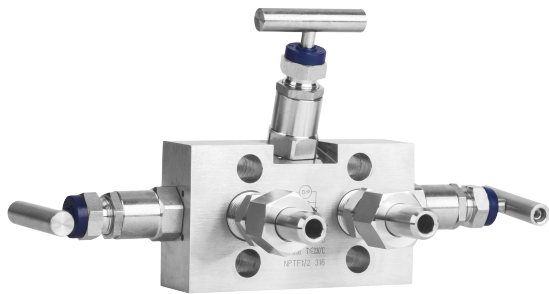


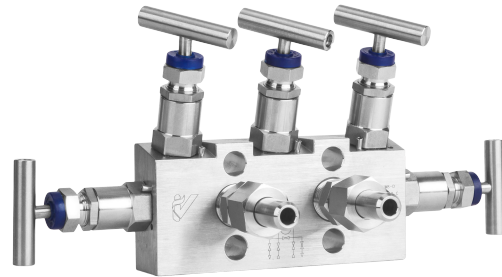


Product introduction

Description



MSFZ30



MSFZ50

MSFZ series valve manifolds are mainly used for input signal switching on and switching off, pressure balance and discharge operation of pressure/differential pressure transmitters, convenient for instruments installation, maintenance and inspection. Valve manifolds are divided into stop valve, 2-valve manifolds, 3-valve manifolds and 5-valve manifolds.

MSFZ series valve manifolds are widely used in industriels of petroleum, chemical, metallurgical, power, liquid, natural gas and various of conveying pipelines.

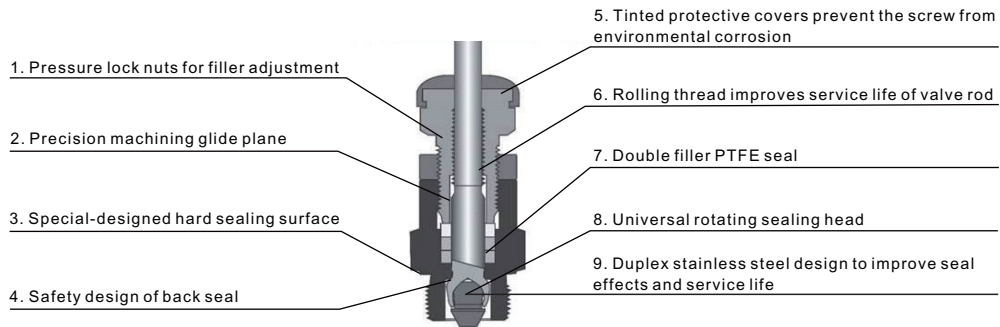
Main parameters

Safety shotpin	Adopting stainless steel pin to prevent the valve seat out off the valve body due to vibration
Valve body design	Integral structure, firm and reliable.
Valve seat seal	Stainless steel seal, safe and reliable.
Valve spool	High-performance duplex stainless steel and spherical positioning function to improve sealing performance and service life of the valve
Lubricating grease	Imported grease used between the sealing gasket and adjusting screw to reduce friction and improve sealing performance.
Material	SUS316, SUS304, Monel, Hastelloy C
Marked cover	Green, red, blue mark for pressure-leading valve, balance valve, draining valve respectively
Stuffing box filler	PTFE
Working pressure	32MPa, 42MPa
Working temperature	≤ 150°C
Ambient temperature	-30 -+93

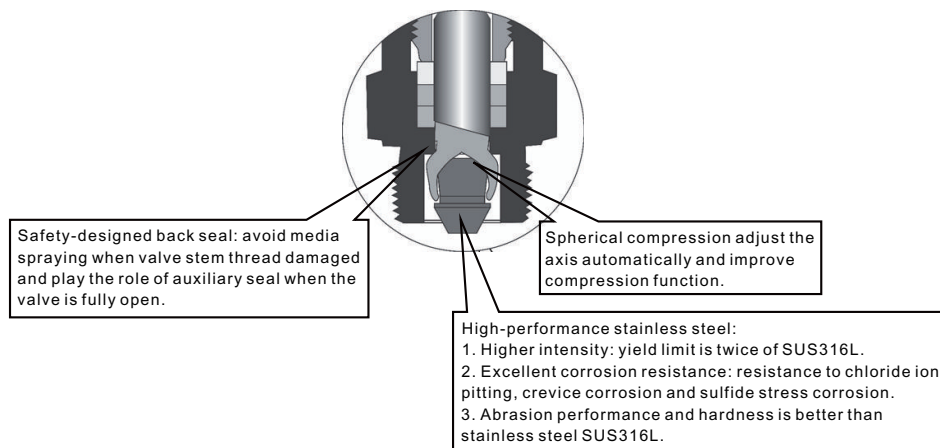
Product introduction

Structure features

Structure features of valve



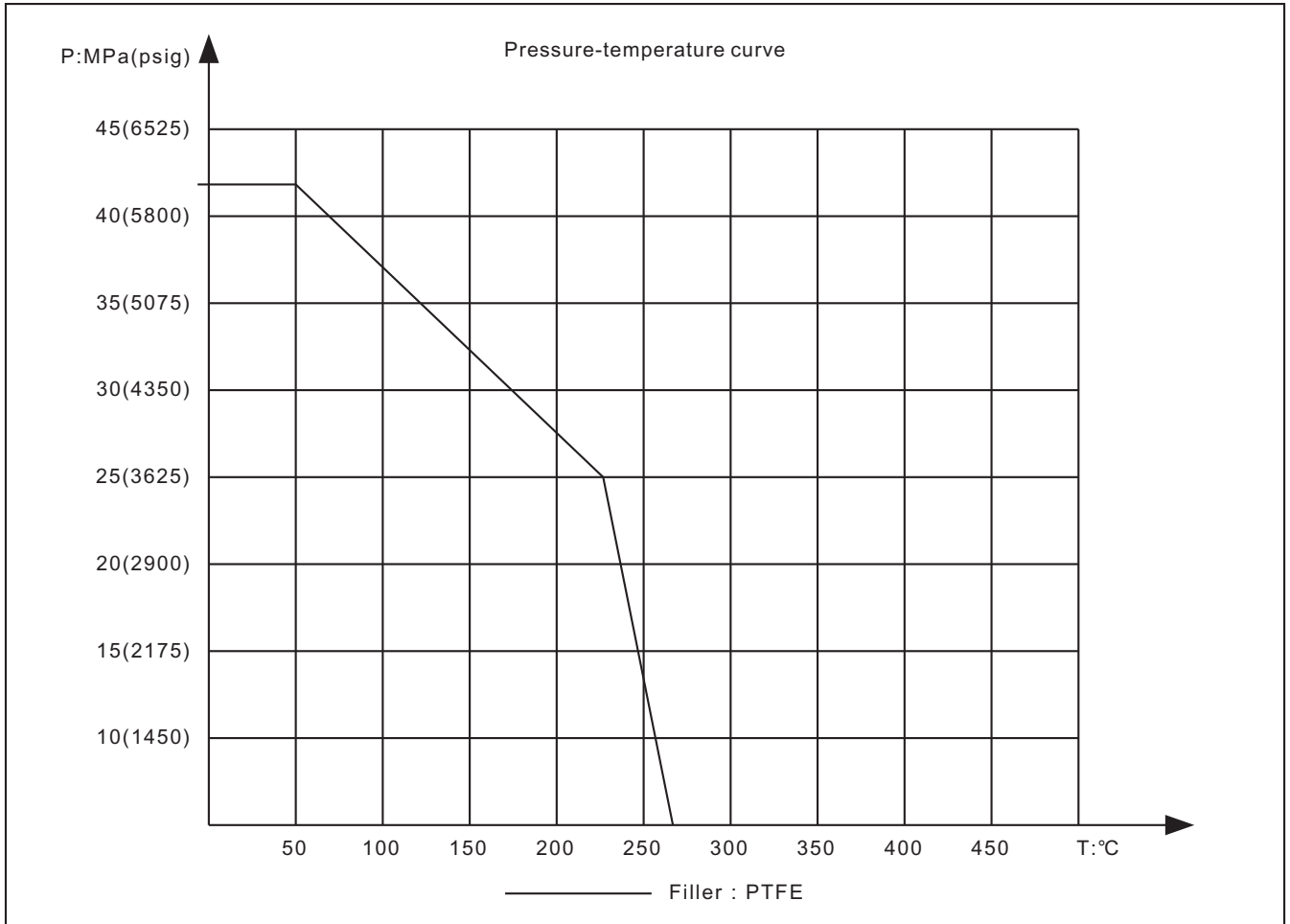
Structure features of valve spool





Product introduction

Pressure-temperature curve

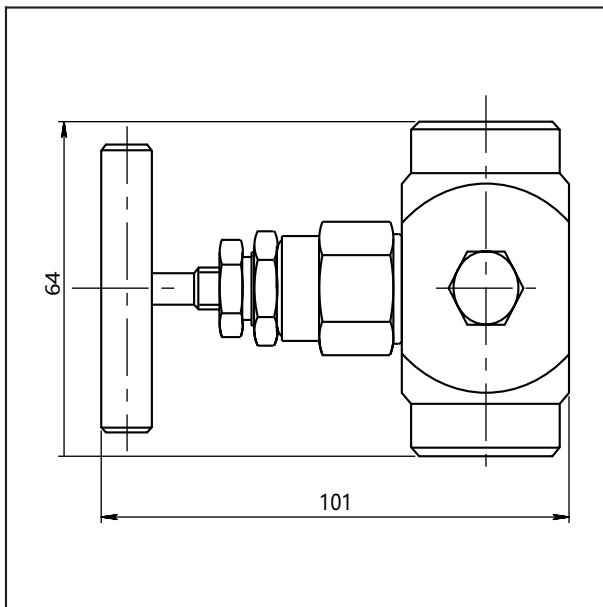


MSFZ10 Stopvalve

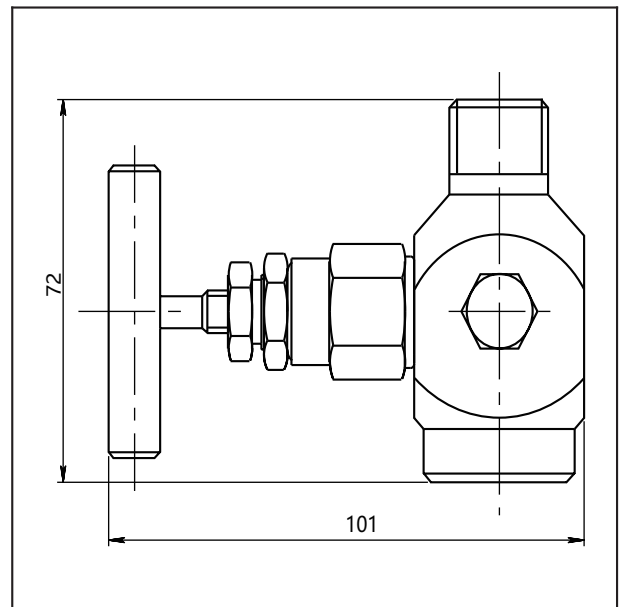
The stop valve is used for pressure transmitter installation with thread connection to control the opening and closing of transmitter, or to discharge pressure.

Dimension

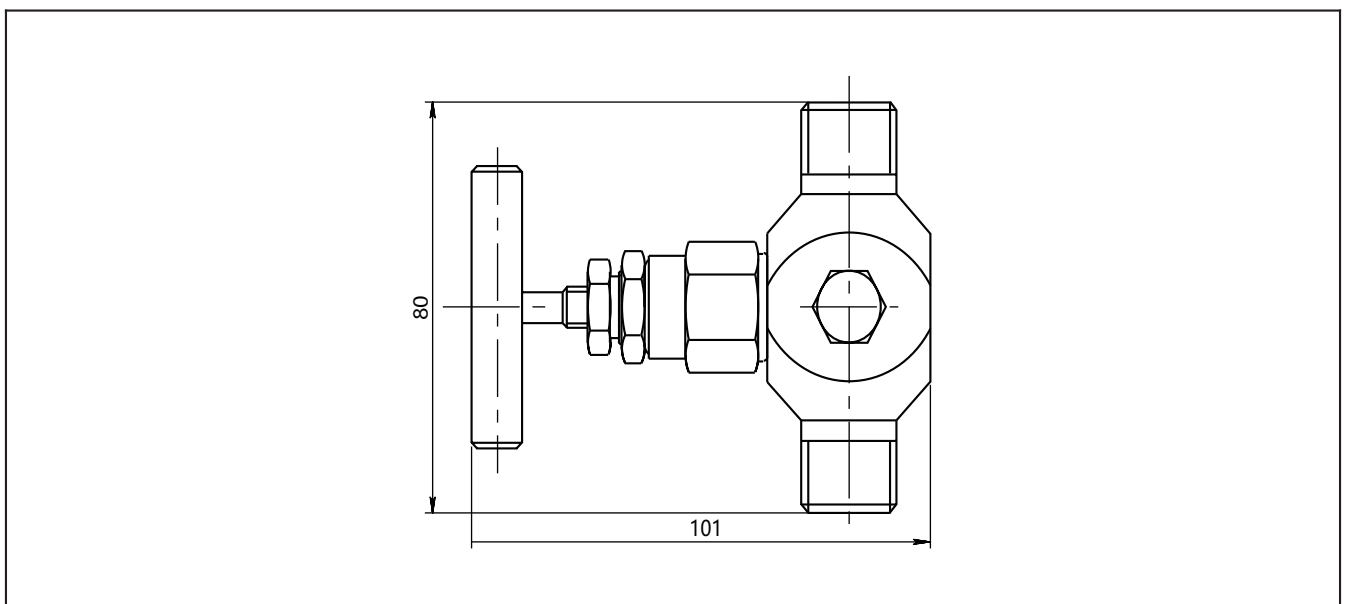
Input pressure side 1/2NPT(F), output pressure side 1/2NPT(F) (Unit: mm)



Input pressure side 1/2NPT(F), output pressure side 1/2NPT(M) (Unit: mm)



Input pressure side 1/2NPT(M), output pressure side 1/2NPT(M) (Unit: mm)



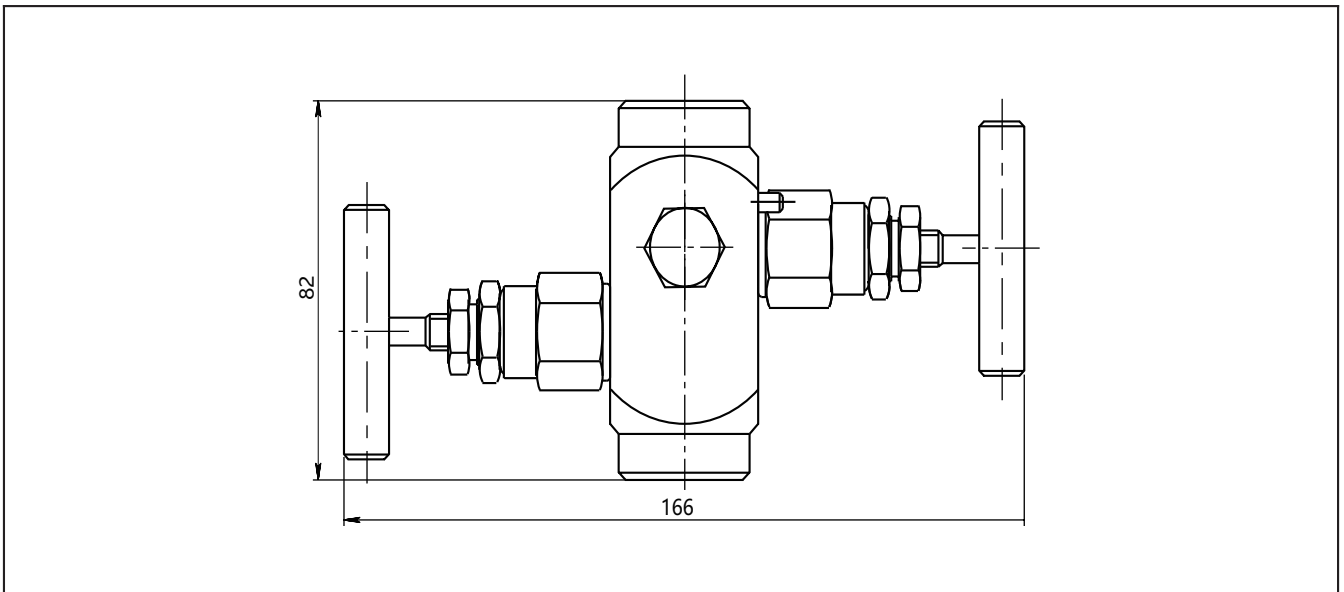
For any changes to the specifications of this catalogue, the latest version shall prevail.

MSFZ20 two-valve manifold

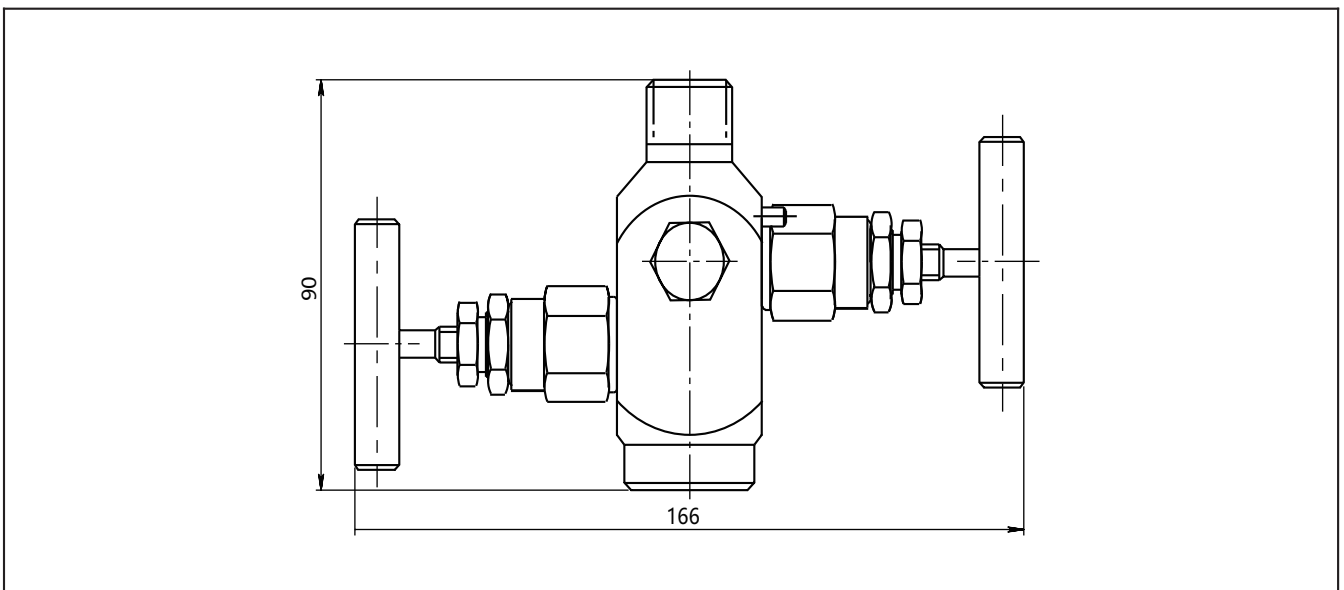
Two-valve manifold is the necessary accessory matched with intelligent pressure transmitters, the function is leading signal from the input-pressure point to the pressure transmitter measurement chamber and make them connected or disconnected. It is generally applied with control instruments at site to provide multiple channels for the instruments, reduce installation workload and improve system reliability.

Dimension

Input pressure side 1/2NPT(F), output pressure side 1/2NPT(F) (Unit: mm)



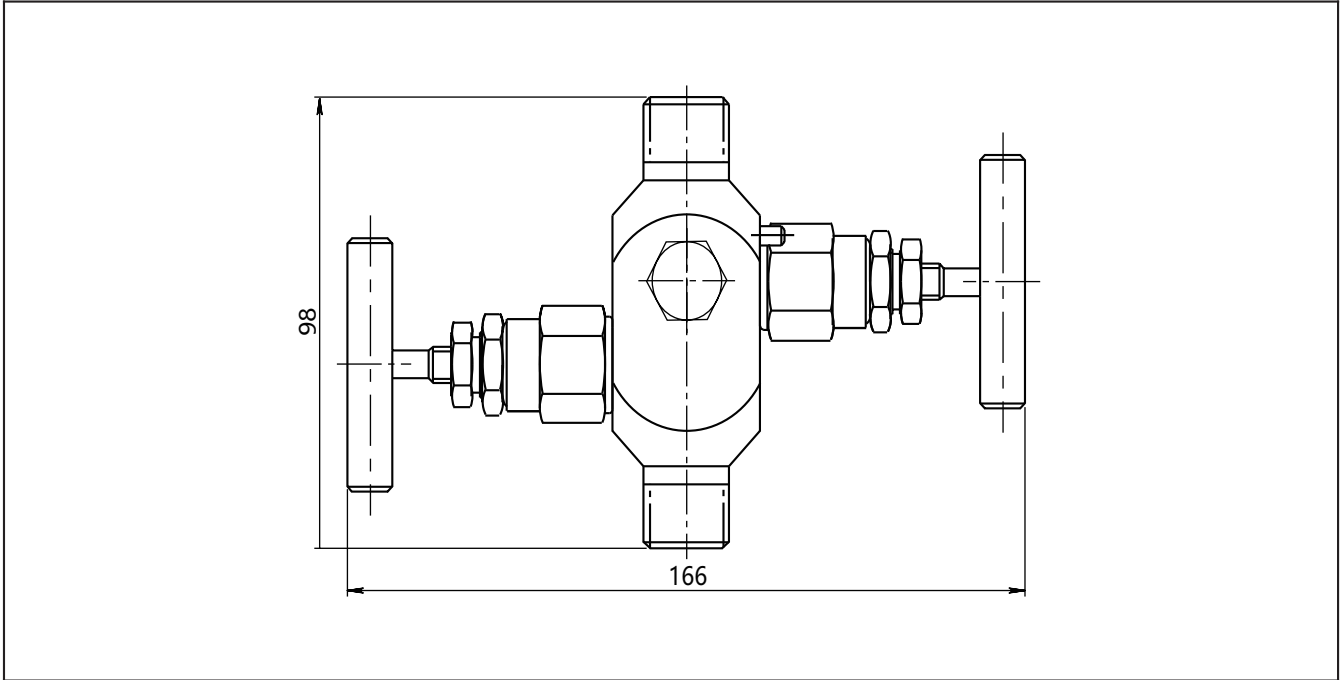
Input pressure side 1/2NPT(F), output pressure side 1/2NPT(M) (Unit: mm)



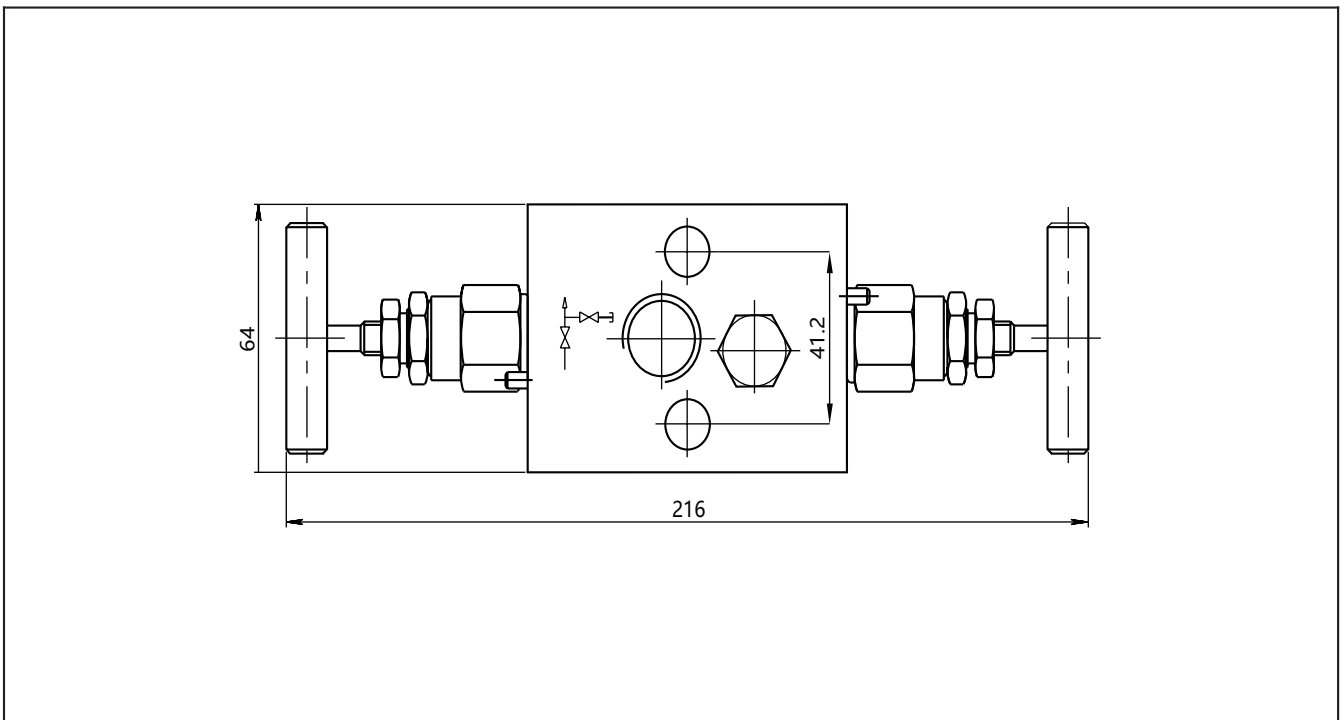
For any changes to the specifications of this catalogue, the latest version shall prevail.

Dimension

Input pressure side 1/2NPT(M), output pressure side 1/2NPT(M) (Unit: mm)



Coplanar two-valve manifold (Unit: mm)



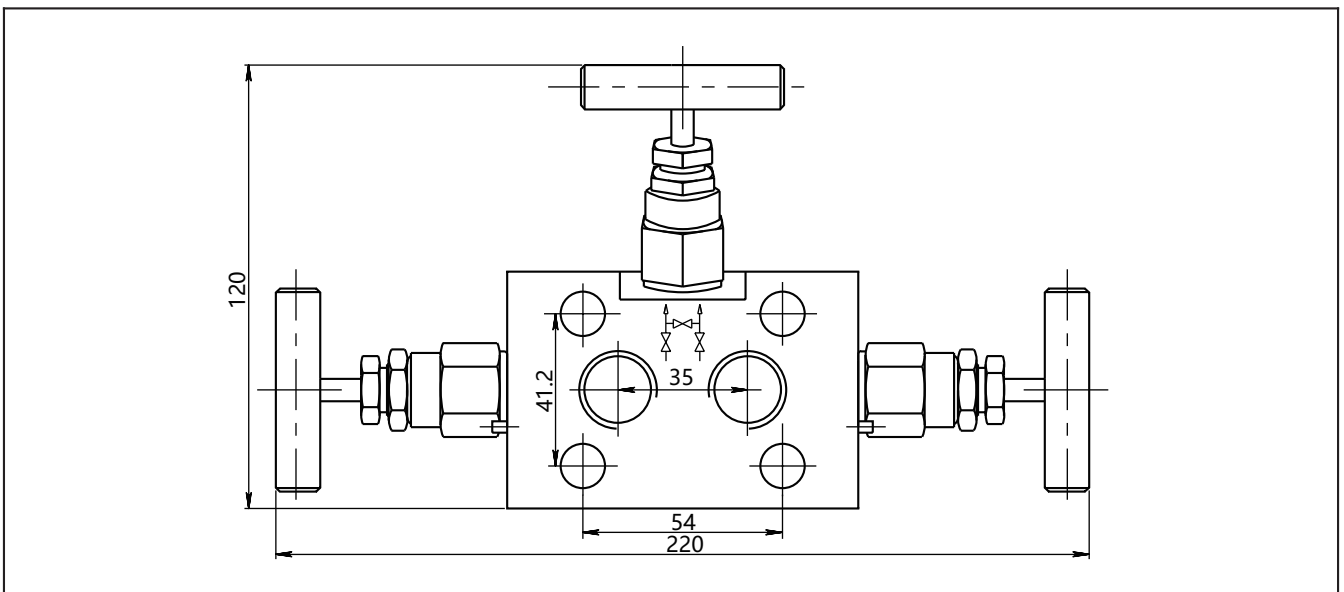
For any changes to the specifications of this catalogue , the latest version shall prevail.

MSFZ30 three-valve manifold

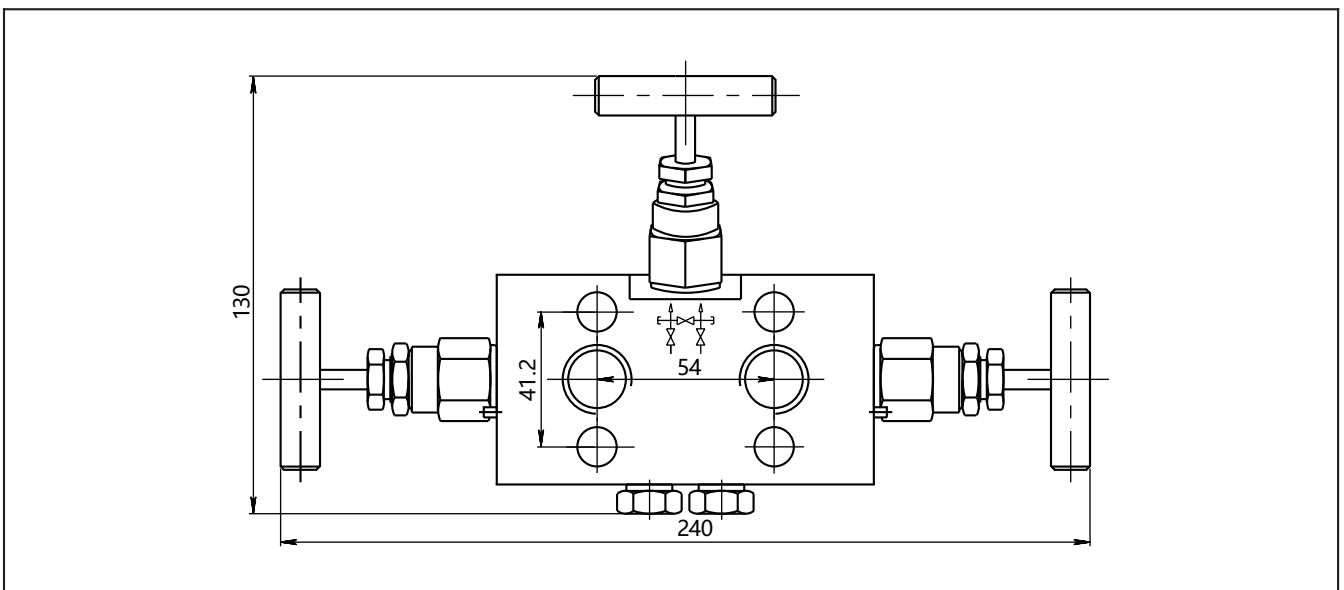
Three-valve manifold is matched with intelligent pressure transmitters, the function is leading signal from the input-pressure point to the positive and negative measurement chamber of differential pressure transmitter, so to realize the input pressure signal opening, closing or balancing of the transmitter.

Dimension

Input pressure side is hole center distance 35mm, output pressure side is flange, without drain hole(Unit: mm)



Input pressure side is hole center distance 54mm, output pressure side is flange, with drain hole(Unit: mm)



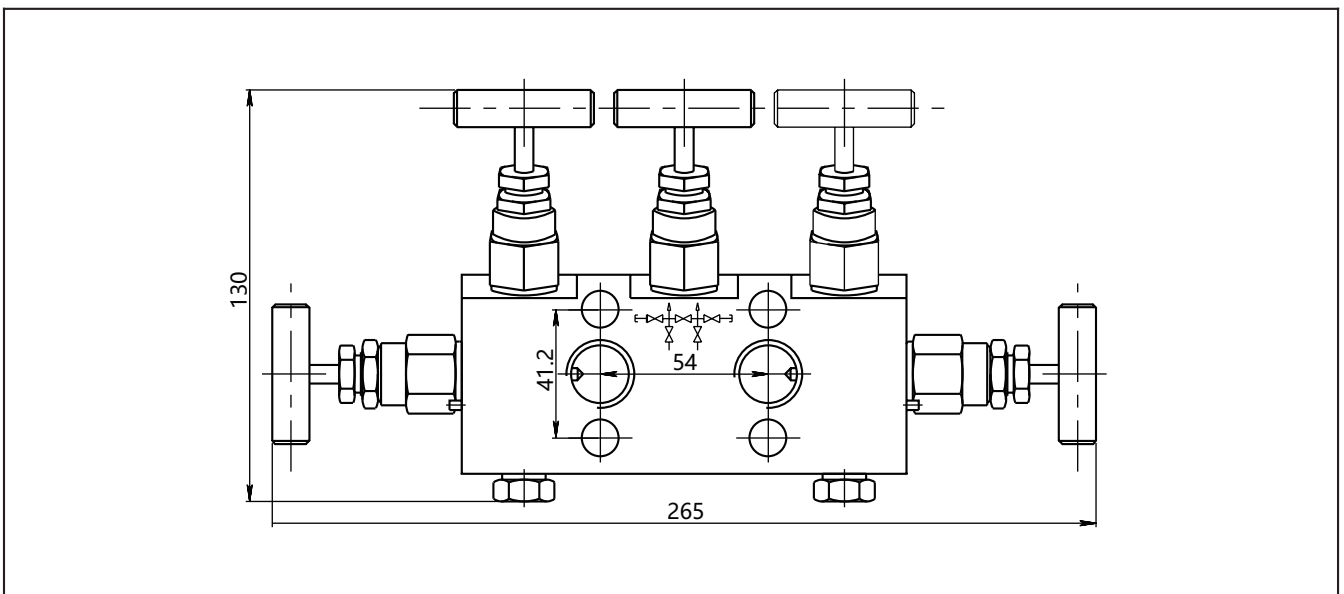
For any changes to the specifications of this catalogue , the latest version shall prevail.

MSFZ50 five-valve manifold

Five-valve manifold is matched with intelligent pressure transmitters, the function is leading signal from the input-pressure point to the positive and negative measurement chamber of differential pressure transmitter and make them connected or disconnected, including two isolated stop valves, two testing drain valves and a balance valve. Applied two isolated stop valves and two testing drain valves, convenient to isolate (or close), balance and test (or drain) while differential pressure transmitter working.

Dimension

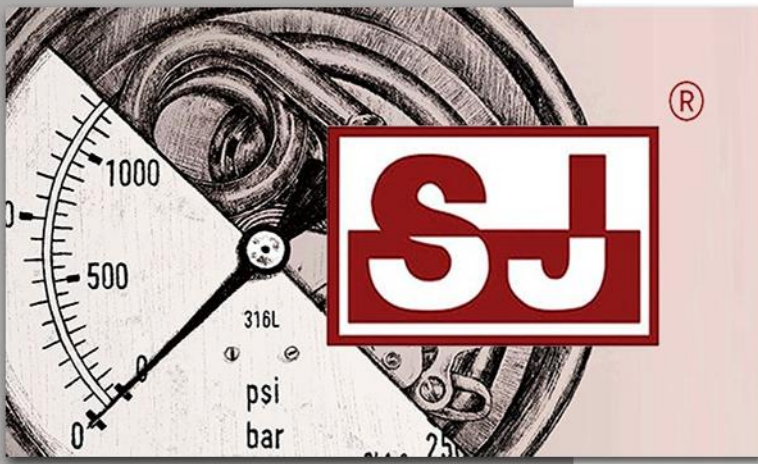
Input pressure side is hole center distance 54mm, output pressure side is flange, without drain hole (Unit: mm)





Ordering information chapter

Item	Parameters	Code	Instruction	(*)Fast delivery available
	Model	MSFZ	Valve manifold	
Valve manifold	Separator	-	Detailed specifications as following	
	Code	10	Columnar stop valve	*
		20	Two-valve manifold	*
		30	Three-valve manifold	*
		50	Five-valve manifold	
Process connection	Separator	-	Detailed specifications as following	
	Input-side connection (Mechanical connection side)	R01	1/2-14NPT(M), GB/T12716, ANSI/ASME B1.20.1	
		R03	1/2-14NPT(F), GB/T12716, ANSI/ASME B1.20.1	
	Output-side connection (Instruments side)	R01	1/2-14NPT(M), GB/T12716, ANSI/ASME B1.20.1(suitable for columnar stop valve and columnar two-valve manifold)	
		R03	1/2-14NPT(F), GB/T12716, ANSI/ASME B1.20.1(suitable for columnar stop valve and columnar two-valve manifold)	
		F01	Flange(suitable for coplanar two-valve manifold, three-valve manifold and five-valve manifold)	
Valve body	Separator	-	Detailed specifications as following	
	Material	4	Stainless steel SUS304	
		6	Stainless steel SUS316	
Center distance	Separator	-	Detailed specifications following	
	Center distance between the two sides of the valve body	A	Instruments side 54mm, mechanical connection side 54mm (suitable for three-valve manifold and five-valve manifold)	
		B	Instruments side 54mm, mechanical connection side 35mm (suitable for three-valve manifold and five-valve manifold)	
Nominal pressure	Separator	-	Detailed specifications as following	
	Pressure	326	32MPa	
		426	42MPa	
Screw bolt	Separator	-	Detailed specifications as following	
	Material	A	Carbon steel	
		4	Stainless steel SUS304	
		6	Stainless steel SUS316	



rsIMMA

Elementos For Manufacturing Processes



MEXICO BRANCH OFFICE

Roberto Diaz No. 401
Ciudad Industrial
Aguascalientes, Ags.
México
20290

4ManPro@4ManPro.com

+52 (449) 171 3420
www.4ManPro.com/SPA/

USA BRANCH OFFICE

708 Main St.
10th Floor
Houston, Tx, USA
77002

4ManPro_USA@4ManPro.com

+1 (832) 871 5022
www.4ManPro.com/ENG/