



Product introduction

Description



Industrial pressure transmitter

MSDMP305X-TST pressure transmitter with monosilicon sensor is typically used in process or environmental applications for continuous measurement of pressure differences in liquids, vapors and gases. With reliable ex-proof construction and electronics, suitable in EX areas.

Main parameters

Pressure types	absolute pressure
Measuring range	20kPa-10MPa, please refer to the ordering information chapter
Output signal	4-20mA, 4-20mA+HART, 1-5VDC low power consumption, Modbus-RTU/RS485 customer
Reference accuracy	±0.2%URL, optional ±0.075%URL

Approvals



Measuring medium

Liquid, gas, or steam level, density and pressure



Technical Specifications

Measuring range and limit

Nominal value	Smallest calibratable span	Lower range limit(LRL)	Upper range limit(URL)	Overload limit
40kPa	20kPa	0kPa	40kPa	1MPa
250kPa	50kPa	0kPa	250kPa	4MPa
1MPa	200kPa	0kPa	1MPa	6MPa
10MPa	1MPa	0kPa	10MPa	20MPa

Above measurement range can be replaced by kg/cm², MPa and kPa units .Which can provide other measurement range according to the requirements. Adjust requirements: lower range value (LRV) and upper range value (URV) can be adjusted within the scope of the upper and lower range limit, smallest calibratable span ≤ | URV-LRV | ≤ upper range limit

Standard specifications and reference conditions

Test standard: GB/T28474 / IEC60770; Zero based-calibration span, Silicon oil filling, 316L stainless steel isolated diaphragm, 4-20mA analog output.

Ambient temperature effects

40kPa	± (0.115+0.065TD) %/10°C of span
250kPa, 1MPa, 10MPa	± (0.0025+0.0145TD) %/10°C of span

Performance specifications

The overall performance including but not limited to 【 reference accuracy 】 , 【 environment temperature effects 】 and other comprehensive error

Typical accuracy: ±0.2%URL

Stability: ±0.2% URL/5 years

Mounting position effects

Apply to any position. Max value lower than 400Pa can be corrected by zero clearing function.

Reference accuracy

Standard and reference conditions, including linearity (BFSL), hysteresis and repeatability. calibration temperature: 20°C ± 5°C

Linear output accuracy	TD≤5	±0.2 SPAN	40kPa,250kPa
		±0.075 SPAN	1MPa,10MPa
	TD>5	±(0.025+0.035TD)% SPAN	40kPa,250kPa
		±(0.0025+0.0145TD)% SPAN	1MPa,10MPa

Note 1: TD is Turn down, TD=URL/ |URV-LRV|

Note 2: SPAN=| URV-LRV |

Power supply effects

Zero and span change should not be more than ± 0.005% URL/V when power supply changes in 10.5/16.5-55VDC

Vibration effects

According to GB/T 1827.3/IEC61298-3 tests, <0.1%URL



Technical Specifications

Output signal

4-20mA two wire. Customers can choose linear output or square root output. Digital process variables superimpose on 4-20mA signal and apply to any hosts

Insulation resistance

≥20MΩ@, 100VDC

Damping time

Total damping time constant: equal to the sum of damping time of amplifier and sensor capsule

Damping time of amplifier: 0-100S adjustable

Diaphragm capsule (isolated diaphragm and silicon oil filling) damping time: ≤0.2s

Startup after power off: ≤6S

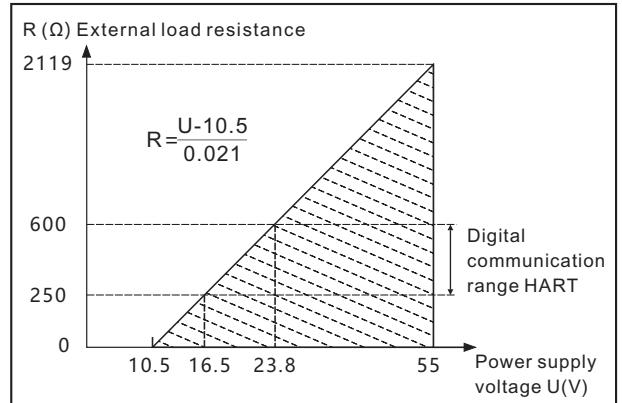
Normal services after data recovery: ≤31S

Response time: ≤150ms

Weight

Net weight: about 1.56kg (without mounting brackets and process connection accessory)

Power supply and load requirements



Power supply

Item	Operating conditions
4-20mA	10.5-55VDC
HART protocol	16.5-55VDC, communication load resistance 250Ω
Modbus-RTU/RS485	5-32VDC
1-5VDC low power consumption	9-55VDC (Current consumption:5mA Max)
Load resistance	0-2119 Ω for working condition, 250-600Ω for HART protocol
Transmission distance	<1000m
Power consumption	
4-20mA/HART	≤500mW@24VDC, 20.8mA
Modbus-RTU/RS485	≤240mW@24VDC, 10mA
1-5VDC low power consumption	≤100mW@24VDC, 5mA



Technical Specifications

Environment condition

Items	Operational condition	
Working temperature	-20-85°C, integrated LCD display :-20-70°C	
Storage temperature	-40-85°C, integrated LCD display :-20-70°C	
Working humidity	5-100%RH@40°C	
Protection class	IP66/IP67	
Dangerous condition	NEPSI	ExialIICT4(GYB21.1692X)* ExdIICT6(GYB21.4030X)*
	ATEX	Ex db IIC T6 Gb, Ex tb IIIC T80°C Db(CML 19ATEX1078X)* Ex ia IIC T4 Ga(CML 19ATEX1078)*
	IECEX	Ex db IIC T6 Gb, Ex tb IIIC T80°C Db(IECEX NEP 18.0008X)* Ex ia IIC T4 Ga(IECEX NEP 18.0008X)*
	CSA	Class I, Division 1, Group A, B, C and D T6 Class II, Division 1 Group E, F and G T80°C Class III (No.: 80020805)*
*Please consult engineers for details		

EMC environment

NO.	Test items	Basic standards	Test conditions	Performance level
1	Radiated interference	GB/T 9254/CISPR22	30MHz-1000MHz	OK
2	Conducted interference (DC power port)	GB/T 9254/CISPR22	0.15MHz-30MHz	OK
3	Electrostatic discharge immunity test (ESD)	GB/T 17626.2/IEC61000-4-2	4kV(Contact), 8kV(Air)	B(Note2)
4	Immunity to radio frequency EM-fields	GB/T 17626.3/IEC61000-4-3	10V/m(80MHz-1GHz)	A(Note1)
5	Power frequency magnetic field immunity test	GB/T 17626.8/IEC61000-4-8	30A/m	A(Note1)
6	Electrical fast transient / Burst immunity test	GB/T 17626.4/IEC61000-4-4	2kV(5/50ns, 100kHz)	B(Note2)
7	Surge immunity requirements	GB/T 17626.5/IEC61000-4-5	1kV(Line to line) 2kV(Line to ground) (1.2us/50us)	B(Note2)
8	Immunity to conducted disturbances induced by radio frequency fields	GB/T 17626.6/IEC61000-4-6	3V(150kHz-80MHz)	A(Note1)
<p>(Note 1)Performance level A: The performance within the limits of normal technical specifications. (Note 2)Performance level B: Temporary reduction or loss of functionality or performance, it can restore itself. The actual operating conditions, storage and data will not be changed.</p>				



Menu function

Specific menu

Transmission module type

Output signal	Local control	Remote control
4-20mA+HART	LCD/3 buttons on body	HART
4-20mA	LCD/3 buttons on body	-

LCD display unit

Display mode	Details
PV	Process variable shows on main screen, percentage and progress bar shows on secondary screen
mA	Current shows on main screen, percentage and progress bar shows on secondary screen
%	Percentage shows on main screen, percentage and progress bar shows on secondary screen

Unit

Unit	Definition
kPa	Kilopascal
MPa	Megapascals
bar	Bar
psi	Pounds per square inch
mmHg	Millimetre(s) of mercury@0°C
mmH2O	Millimeter of water@4°C
mH2O	Meter of water@4°C
inH2O	Inches of water@4°C
ftH2O	Feet of water@4°C
inHg	Inches of mercury@0°C
mHg	Meter mercury column@0°C
TORR	Torr
mbar	Millibar
g/cm2	Gram per square centimeter
kg/cm2	Kilogram per square centimeter
Pa	PA
ATM	Standard atmospheric pressure
mm	Millimeter(Note 1)
m	Meter(Note 1)

Note1: length unit need mark medium density

Measuring menu set

Mark	State
URV	Upper range value, 20mA
LRV	Lower range value, 4mA

Damping time

Units	Setting range
S	0-100

Analog output type

Parameters	Output type
mA LINER	Linearity
mA $\sqrt{\quad}$	Square root

Alarm signal

Parameters	Alarm signal
ALARM NO	None
ALARM H	20.8mA
ALARM L	3.8mA

Fix output

Parameters	Fix output value
FIX/C NO	None
3.8000	3.8000mA
4.0000	4.0000mA
8.0000	8.0000mA
12.000	12.000mA
16.000	16.000mA
20.000	20.000mA
20.800	20.800mA

Quick menu

Parameter	Instruction
PV=0	Set current output to zero value, (gauge pressure, differential pressure)
Zero adjustment	4mA re-range with pressure
Span adjustment	20mA re-range with pressure
Restore factory setting	Restore backup data when error

For any changes to the specifications of this catalogue , the latest version shall prevail.

Product selection instruction

Sensor select instruction

Code	Nominal value	Description
S403A	40kPa	Range 0-40kPa, smallest calibratable span 20kPa
S254A	250kPa	Range 0-250kPa, smallest calibratable span 50kPa
S105A	1MPa	Range 0-1MPa, smallest calibratable span 200kPa
S106A	10kPa	Range 0-10MPa, smallest calibratable span 1MPa

Adjust requirements: lower range value (LRV) and upper range value (URV) can be adjusted within the scope of the upper and lower range limit, smallest calibratable span ≤ |URV - LRV| ≤ URL

Code	Position	Instruction
S	Diaphragm material	SUS316L
H		Hastelloy C
S	Fluid filling	Silicon oil, oil temperature resistance: -45-205°C
D		Inert oil, oil temperature resistance: -45-160°C
F	Sensor seal	Stainless steel welding seal
S		FKM

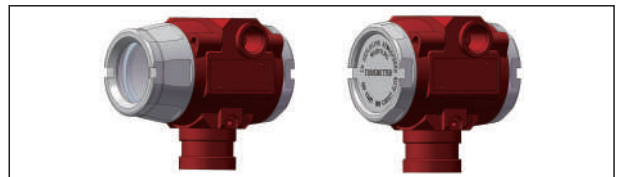
Diaphragm(S/H)



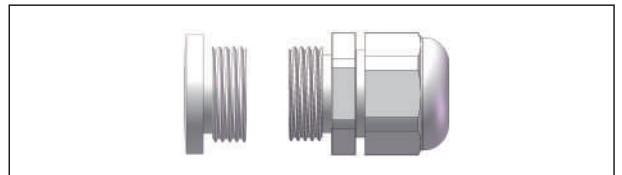
Electrical connection

Code	Item	Description
T1	Electrical connection	Aluminum-alloy terminal, 2 cable entry M20*1.5(F), red body, white cover
R1	Cable entry protector	Waterproof connector M20*1.5 one side, blind plug another side, PVC material, 6-8mm diameter cable only, IP66/IP67
R2		Flame proof, 1/2 NPT(F) one side, blind plug another side, stainless steel material, 6-8mm diameter cable only,
R3		Flame proof, M20X1.5(F) one side, blind plug another side, stainless steel material, 6-8mm diameter cable only,

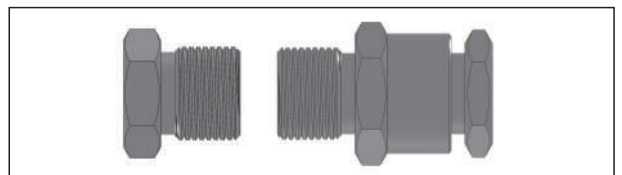
Housing(T1)



Standard cable entry protective adaptor(R1)



Flame proof cable entry protective adaptor(R2/R3)



Product selection instruction

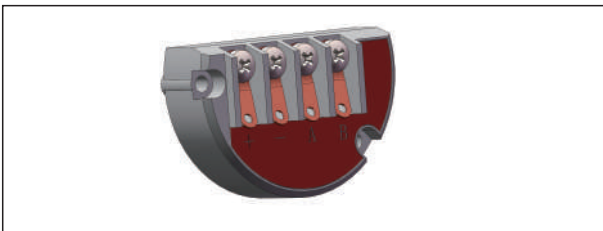
Transmission module

Code	Items	Description
F	Output signal	4-20mA two wire, power supply: 10.5-55VDC
H		4-20mA+HART two wire, power supply: 16.5-55VDC
1D		1-5VDC low power consumption, four wire, power supply: 9-55VDC
1H		1-5VDC+HART low power consumption, four wire, power supply: 9-55VDC
R		Modbus-RTU/RS485, power supply: 5-32VDC
A	Display	Without display
C		With LCD display

Display module(C)



Terminals



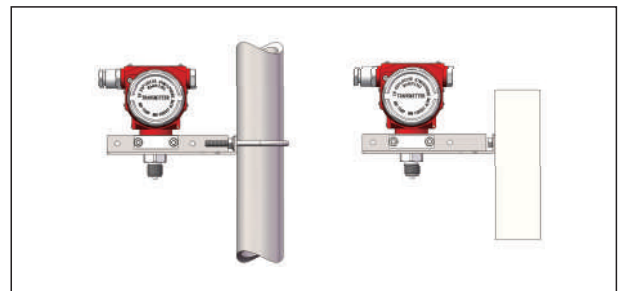
Brackets

Code	Items	Instruction
B4	Fixed mounting	U-shaped bracket, 2" pipe, apply to T-structure

Process connection select instruction

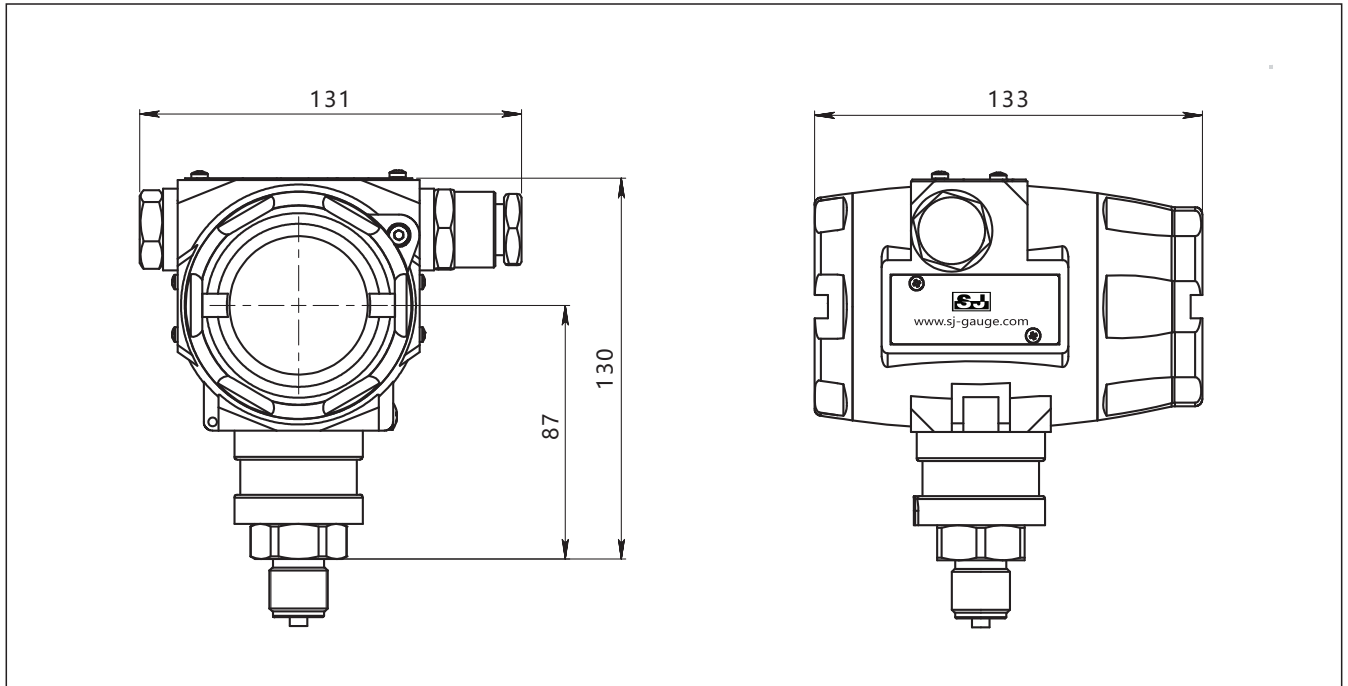
Code	Items	Description
4	Material	Stainless steel, SUS304
6		Stainless steel, SUS316
M01	Specifications	M20*1.5(M), Φ3 pressure lead hole, GB/T193-2003, ISO261
G01		G1/2(M), Φ3 pressure lead hole, EN837
G02		G1/4(M), Φ3 pressure lead hole, EN837
G08		G1/4(M), Φ3 pressure lead hole, GB/T7307, ISO228, DIN16288, BS2779, seal reference DIN3852-E(back-end seal)
R01		1/2-14NPT(M), Φ3 pressure lead hole, GB/T12716, ANSI/ASME B1.20.1
R02		1/4-18NPT(M), Φ3 pressure lead hole, GB/T12716, ANSI/ASME B1.20.1
R03		1/2-14NPT(F), Φ3 pressure lead hole, GB/T12716, ANSI/ASME B1.20.1
R04		1/4-18NPT(F), Φ3 pressure lead hole, GB/T12716, ANSI/ASME B1.20.1

Fixed mounting bracket (B4)(MSDMP305X-TST-S)

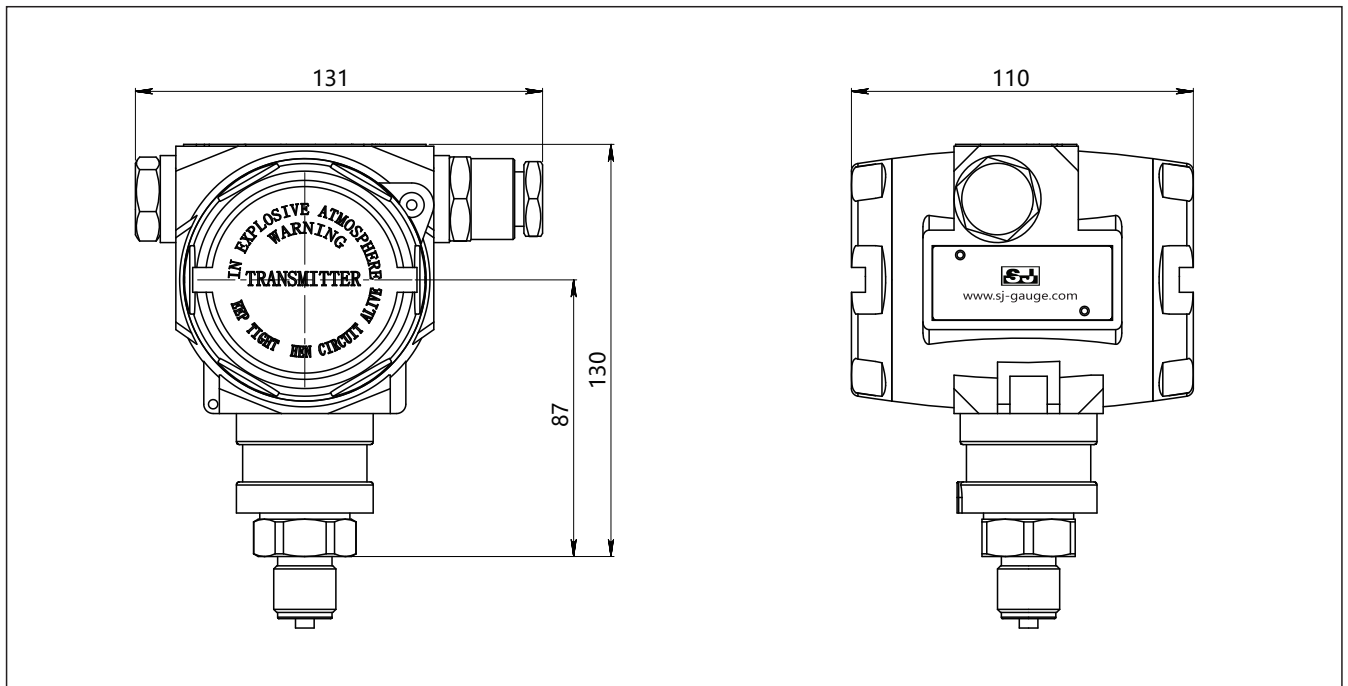


Product drawing and dimension

Drawing and dimension of MSDMP305X-TST-S with display(C) (unit: mm)



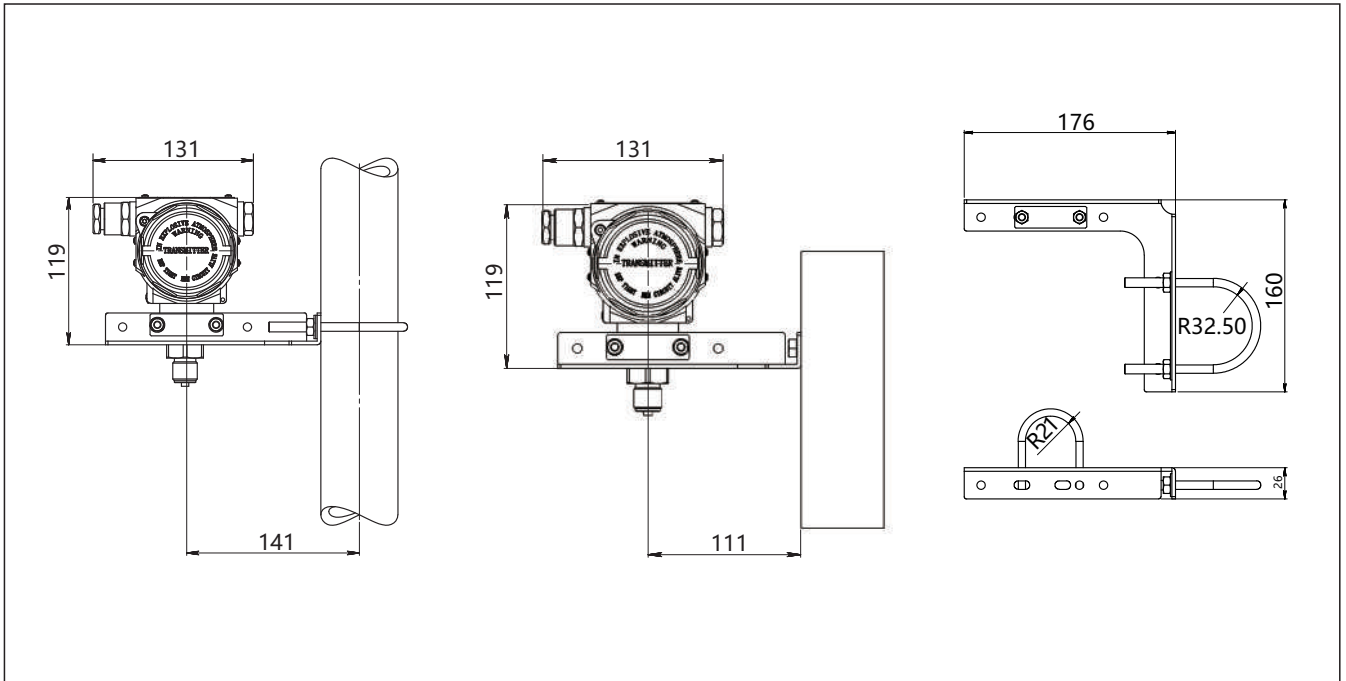
Drawing and dimension of MSDMP305X-TST-S without display(A) (unit: mm)



For any changes to the specifications of this catalogue , the latest version shall prevail.

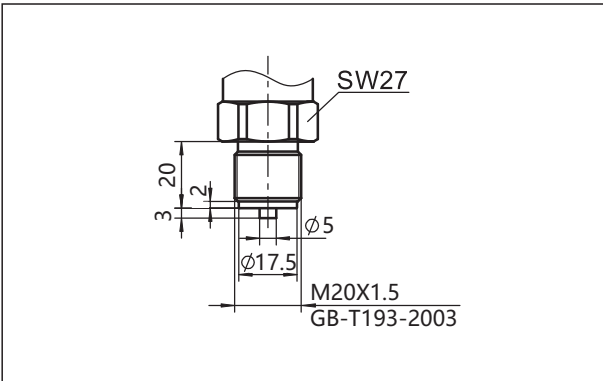
Product drawing and dimension

Fixed mounting bracket installation dimension of MSDMP305X-TST-S (B4) (unit: mm)

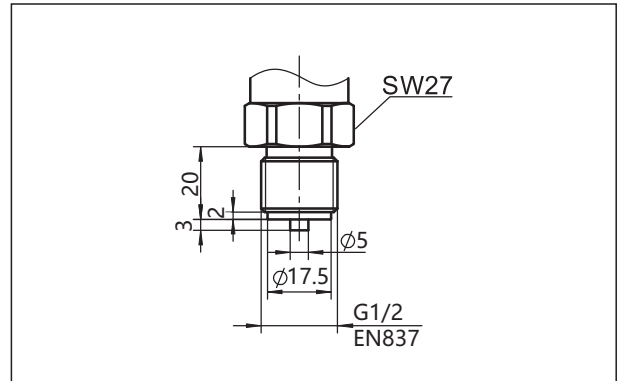


Product drawing and dimension

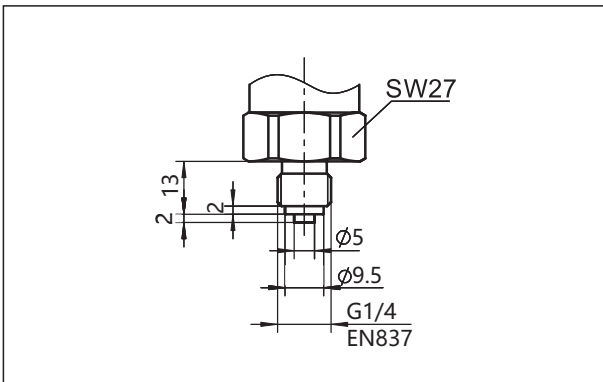
Process connection(M01) (unit: mm)



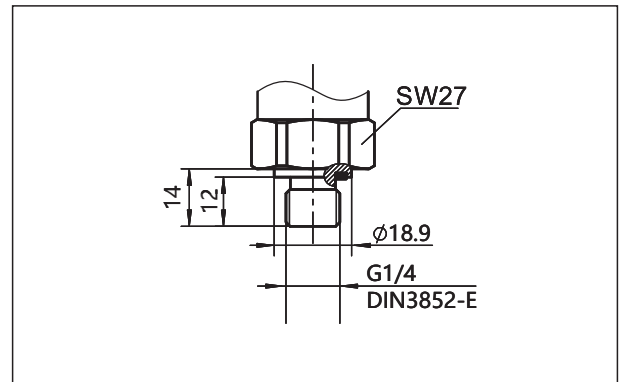
Process connection(G01) (unit: mm)



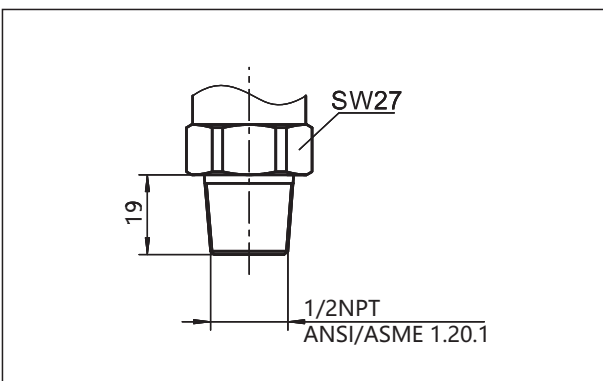
Process connection(G02) (unit: mm)



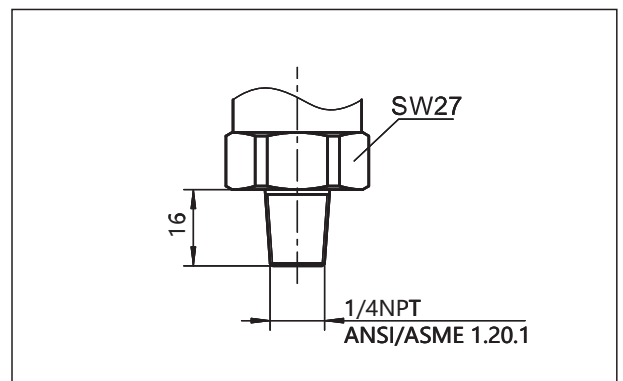
Process connection(G08) (unit: mm)



Process connection(R01) (unit: mm)

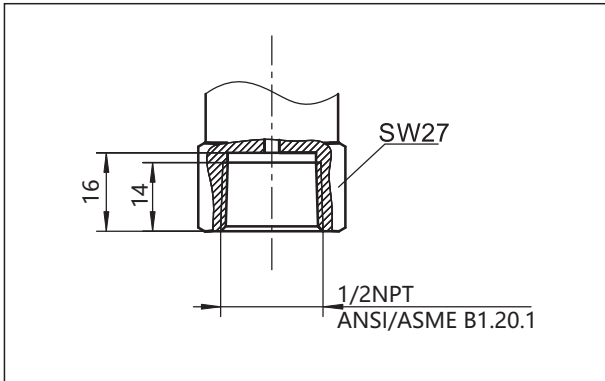


Process connection(R02) (unit: mm)

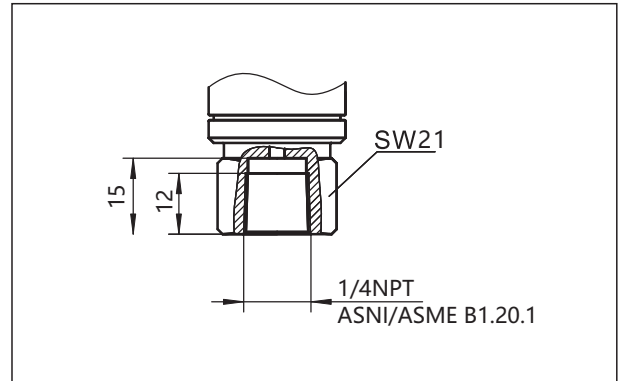


Product drawing and dimension

Process connection(R03) (unit: mm)



Process connection(R04) (unit: mm)





Ordering information chapter

Item	Parameters	Code	Instruction	(*) fast delivery available
	Model	MSDMP305X-TST	Monosilicon absolute pressure transmitter	
Sensor	Separator	-	Detailed specifications as following	
	Pressure range code	S403A	Nominal value(URL): 40kPa	
		S254A	Nominal value(URL): 250kPa	*
		S105A	Nominal value(URL): 1MPa	*
		S106A	Nominal value(URL): 10MPa	*
	Diaphragm material	S	SUS316L	
		H	Hastelloy C	
	Isolated filling fluid	S	Silicon oil, oil temperature resistance: -45-205°C	
		D	Inert oil, oil temperature resistance: -45-160°C	
Sensor seal	F	Stainless steel welding seal		
	S	FKM		
Electrical connection	Separator	-	Detailed specifications as following	
	Electrical connection	T1	Aluminum-alloy terminal, 2 cable entry M20*1.5(F), red body, white cover	*
	Cable entry protector	R1	Waterproof connector M20*1.5 one side , blind plug another side, PVC material, 6-8mm diameter cable only, IP66/IP67	*
		R2	Flame proof, 1/2 NPT(F) one side, blind plug another side, stainless steel material, 6-8mm diameter cable only, IP66/IP67	
		R3	Flame proof, M20*1.5(F) one side, blind plug another side, stainless steel material, 6-8mm diameter cable only, IP66/IP67	
Output	Separator	-	Detailed specifications as following	
	Output signal	F	4-20mA two wire, power supply: 10.5-55VDC	
		H	4-20mA+HART two wire, power supply: 16.5-55VDC	*
		1D	1-5VDC low power consumption four wire, power supply: 9-55VDC	
		1H	1-5VDC+HART low power consumption four wire, power supply: 9-55VDC	
		R	Modbus-RTU/RS485, power supply: 5-32VDC	
	Display	A	Without LCD display	*
		C	LCD display	
Process connection	Separator	-	Detailed specifications as following	
	Material	4	SUS304	
		6	SUS316	*
	Specification	M01	M20*1.5 (M), Φ3 pressure lead hole, GB/T193-2003, ISO261	*
		G01	G1/2 (M), Φ3 pressure lead hole, GB/T7307, ISO228, DIN16288, BS2779	*

For any changes to the specifications of this catalogue , the latest version shall prevail.

Ordering information chapter

		G02	G1/4(M), Φ3 pressure lead hole, EN837	
		G08	G1/4(M), Φ3 pressure lead hole, GB/T7307, ISO228, DIN16288, BS2779, seal refers to DIN3852-E (back-end seal)	
		R01	1/2 -14NPT(M), Φ3 pressure lead hole, GB/T12716, ANSI/ASME B1.20.1	*
		R02	1/4 -18NPT(M), Φ3 pressure lead hole, GB/T12716, ANSI/ASME B1.20.1	
		R03	1/2 -14NPT(F), Φ3 pressure lead hole, GB/T12716, ANSI/ASME B1.20.1	
		R04	1/4 -18NPT(F), Φ3 pressure lead hole, GB/T12716, ANSI/ASME B1.20.1	
Additional options	Separator	-	Detailed specifications as following	
	Fixed mounting	/B4	U-shaped bracket, 2" pipe, apply to T-structure	*
	Display mode	/D1	According to your requirements	
	Calibration report	/Q1	Calibration report provided by our company	
	Approvals (multiple)	/E1	Flame proof certificate NEPSI, ExdbIICT6 IECEX or ATEX, Ex db IIC T6 Gb Ex tb IIIC T80°C CDb	1
		/I1	Intrinsic safety certificate IECEX or ATEX, ExialICT4Ga NEPSI, ExialICT4	2
		/E2	Flame proof certificate, CSA Class I, Division 1, Group A, B, C and D T6 Class II, Division 1 Group E, F and G T80°C Class III	
		/F3	CE certificate	*
	Wetted parts treatment	/G1	Ungrease treatment	
		/G2	Electropolishing treatment	

Note:

- 1 Please indicate ATEX or IECEX or NEPSI when ordering
- 2 Please indicate ATEX or IECEX or NEPSI when ordering



Factory settings and parameters

Item	Menu mark	Factory setting value
Tag position	None	0(No specific settings)
Analog output type	mA	Liner(No specific settings)
Display mode	DISP	PV(No specific settings)
Alarm signal	ALARM	No(No specific settings)

Item	Menu mark	Factory setting value
Damping value	DAMP	0(No specific settings)
4mA Lower range value	LRV	According to the order
20mA Upper range value	URV	According to the order
Process unit	U	According to the order

Approvals

Factory certificate

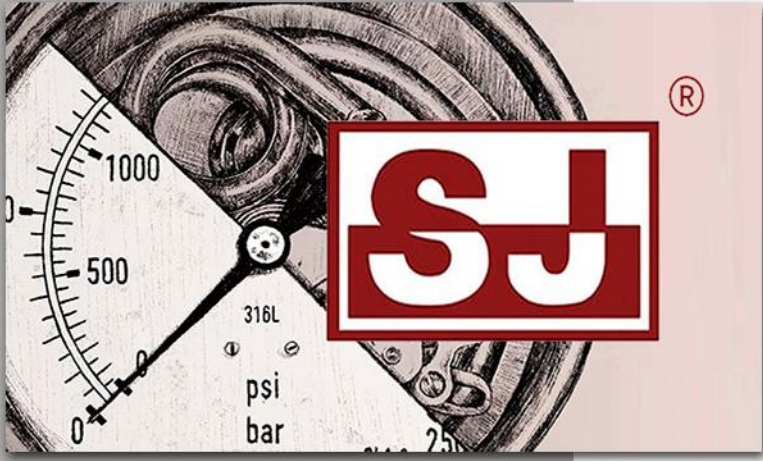
Certification organization	Intertek
Quality management system	ISO9001-2015
Scope of certification	Design and production of pressure transmitter
Registration number	110804039

CE

Certificate organization	ISET
License scope	MSDMP305X series pressure/differential pressure transmitter
Mark	EU
EMC instruction	2014/30/EU
Standard	AC/0100708
Registration number	IT41353LG161207

Flame proof certificate

Certificate organization	NEPSI	ATEX	IECEX	CSA
License scope	MSDMP305X pressure/differential pressure transmitter			
Explosion-proof mark	ExdIICT6	Ex db IIC T6 Gb, Ex tb IIIC T80°C Db		Class I, Division 1, Group A, B, C and D T6 Class II, Division 1 Group E, F and G T80°C Class III
Working temperature	-20°C to +55°C	-20°C to +60°C		-40-60°C
Maximum medium temperature	+80°C			
Registration number	GYB21.4030X	CML 19ATEX1078X	IECEX NEP 18.0008X	80020805



rsIMMA

Elementos For Manufacturing Purposes



MEXICO BRANCH OFFICE

Roberto Diaz No. 401
Ciudad Industrial
Aguascalientes, Ags.
México
20290

4ManPro@4ManPro.com

+52 (449) 171 3420

www.4ManPro.com/SPA/

USA BRANCH OFFICE

708 Main St.
10th Floor
Houston, Tx, USA
77002

4ManPro_USA@4ManPro.com

+1 (832) 871 5022

www.4ManPro.com/ENG/