





Electric Contact Gauge, Compact

Model: MPS



PRODUCT DESCRIPTION

- ▼ Automatically resetting switch design
- ▼ Wide pressure range, apply to multi work situation
- ▼ Application to air \ water pressure control, Indoor air conditioner system or more...

PRODUCT SPECIFICATION

Pressure range

0.2 ... 45 bar

Overpressure

5000 psi

Process connection

Brass, stainless steel

1/8, 1/4

PT, PF, NPT, UNF

Connector

6.35×0.8•4.8×0.8

Wire terminal

(customizable length & terminal)

Switch type

SPST(NO/NC) \ SPDT

Reset pattern

Automatic/manual

Electronic parameter

120VAC 6FLA, 34.8LRA

240VAC 3FLA, 15LRA

120/240VAC 375VA

36VDC 3A

Connection type

Insert / cable out

Ambient temperature

Low Pressure: -30°C ... 65°C

High Pressure: -35°C ... 120°C

MODEL TYPE



Type A

Insert type, Brass thread bolt



Type B

Insert type, Stainless steel thread bolt



Type C

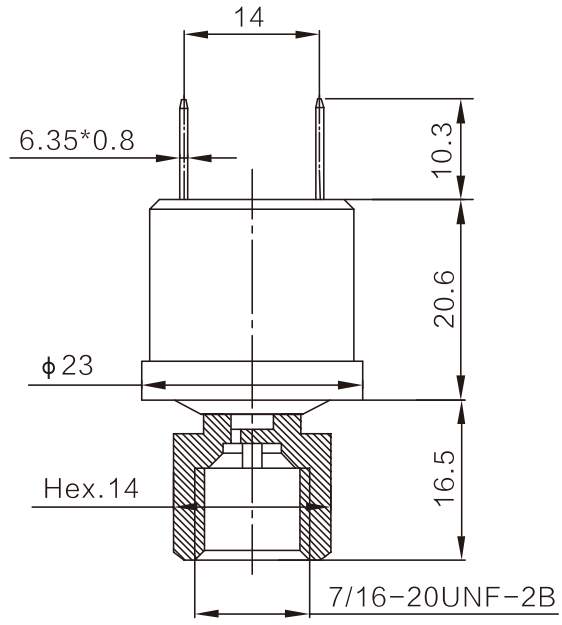
Insert type, No thread bolt



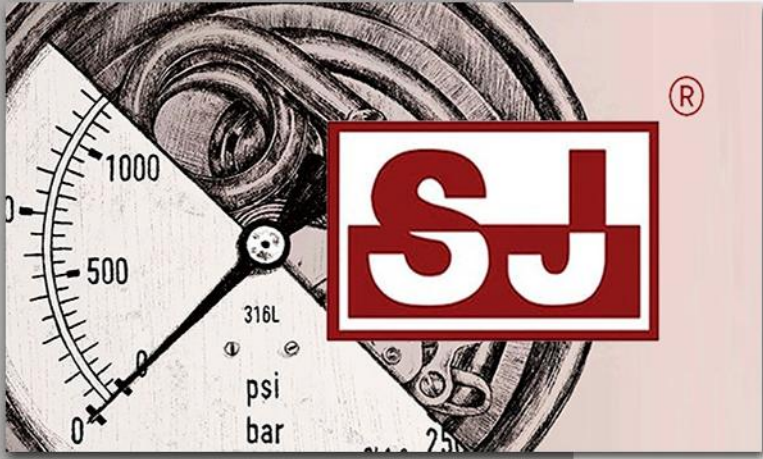
Type D

Electric cable (Customized Length is able)
Copper thread bolt

DIMENSIONS



Unit : mm



rsIMAC

Elementos For Manufacturing Purposes



MEXICO BRANCH OFFICE

Roberto Diaz No. 401
Ciudad Industrial
Aguascalientes, Ags.
México
20290

4ManPro@4ManPro.com

+52 (449) 171 3420
www.4ManPro.com/SPA/

USA BRANCH OFFICE

708 Main St.
10th Floor
Houston, Tx, USA
77002

4ManPro_USA@4ManPro.com

+1 (832) 871 5022
www.4ManPro.com/ENG/