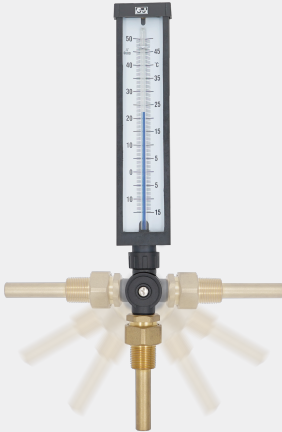






Industrial 9" Thermometer with Rotatable Casing

Model:GLT



PRODUCT DESCRIPTION

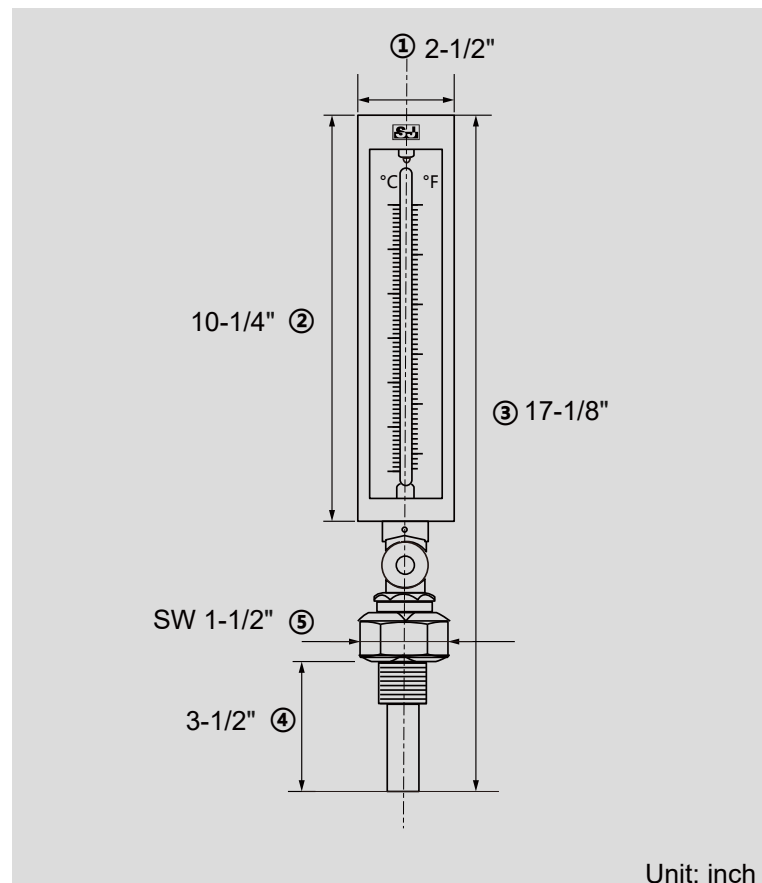
- ▼ Adjust horizontal and vertical angle 180°
- ▼ Intuitive interface for easy operation, but still durable
- ▼ Widely specified in the industrial and commercial plumbing trade

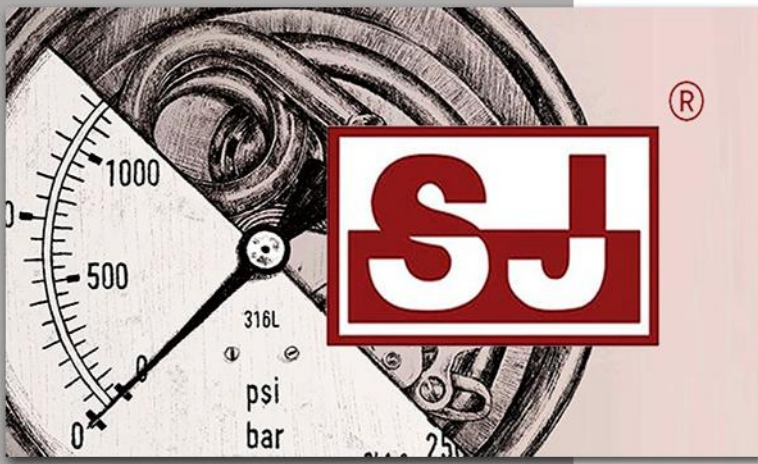
The product images displayed in the catalog are illustrative, and the actual products will be customized to your requirements.

PRODUCT SPECIFICATION

Nominal size 9"	Temperature Sensor Aluminum
Scale ranges -50°C ... 600°C	Glass filling Dyed alcohol, aviation kerosene, mercury
Accuracy ±2.5% F.S., ±1.6% F.S., ±1.0% F.S.	Thermowell Copper alloy
Stem Aluminum alloy	Process connection 3/8, 1/2, 3/4 PT, G, NPT
Case/Ring Engineering plastic	Thermowell length 3.5", 6", 9"
Dial Black scale on white, aluminum plate	
Window Glass	

DIMENSIONS





rsIMMA

Elementos For Manufacturing Purposes



MEXICO BRANCH OFFICE

Roberto Diaz No. 401
Ciudad Industrial
Aguascalientes, Ags.
México
20290

4ManPro@4ManPro.com

+52 (449) 171 3420

www.4ManPro.com/SPA/

USA BRANCH OFFICE

708 Main St.
10th Floor
Houston, Tx, USA
77002

[4ManPro_USA](mailto:4ManPro_USA@4ManPro.com)

@4ManPro.com

+1 (832) 871 5022

www.4ManPro.com/ENG/