





# Threaded Connection, Screwed

Model: DIT-S



## PRODUCT DESCRIPTION

▼  
Suitable for measuring corrosive or crystalline media

▼  
The diaphragm can be removed for cleaning when blocked with fluid

▼  
Mostly used in chemical processing and pharmaceutical industries

## PRODUCT SPECIFICATION

### Diameter

70 mm, 90 mm, 97 mm,  
130 mm\*1, 160 mm\*1

### Process connection

Male, female, union nut and loose threaded  
1/4, 3/8, 1/2, 3/4, 1  
PT, G, NPT, M

### Instrument connection

1/4 \ 3/8 \ 1/2  
PT, G, NPT, M

### Scale ranges

70 mm

Pressure Gauge:

-1...5 bar, 0 ... 4 bar to 0 ... 60 bar

Transmitter:

-1...0.6 bar, 0 ... 0.25 bar to 0 ... 60 bar

90 mm

Pressure Gauge:

-1 ... 3 bar, 0...2.5 bar to 0 ... 60 bar

Transmitter:

0 ... 0.01 bar to -1 ... 60 bar

97 mm

Pressure Gauge:

-1 ... 60 bar

130 mm

Pressure Gauge:

-1...1.5 bar, 0 ... 0.6 bar to 0 ... 40 bar

Transmitter:

-1...0.6 bar, 0 ... 0.1 bar to 0 ... 40 bar

160 mm

Pressure Gauge:

-1...0.6 bar, 0 ... 0.6 bar to 0...25 bar

Transmitter:

-0.05 ... 0.05 bar, 0 ... 25 bar

or all other equivalent vacuum or combined  
pressure and vacuum ranges

### Material

Upper body:

304 SS, 316 SS, 316L SS, Dual phase  
steel, Hastelloy C276, Titanium,

Tantalum, Monel 400, Nickel 200

Lower body:

304 SS, 316 SS, 316L SS, Dual phase  
steel, Hastelloy C276, Titanium,

Tantalum, Monel 400, Nickel 200

Diaphragm:

316L SS, PTFE\*2, Hastelloy C276,

Tantalum, Titanium, Monel 400, Nickel

200, Silicone, Viton, 316L+PTFE,

316L+PTFE Coating\*3

### Medium temperature

0°C ... 80°C,

81°C ... 200°C,

201°C ... 400°C

### Others

Welded with instrument, flush port,  
coating, lining

\* Note:

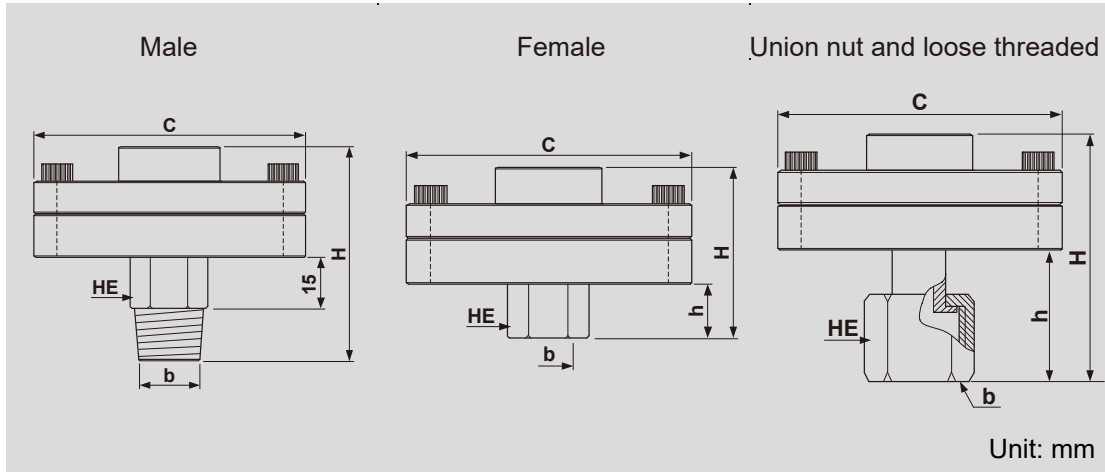
1. Diaphragms with outer diameters of 130 mm / 160 mm are made of PTFE.

2. When the diaphragm material is PTFE, pressurized media must not be gas.

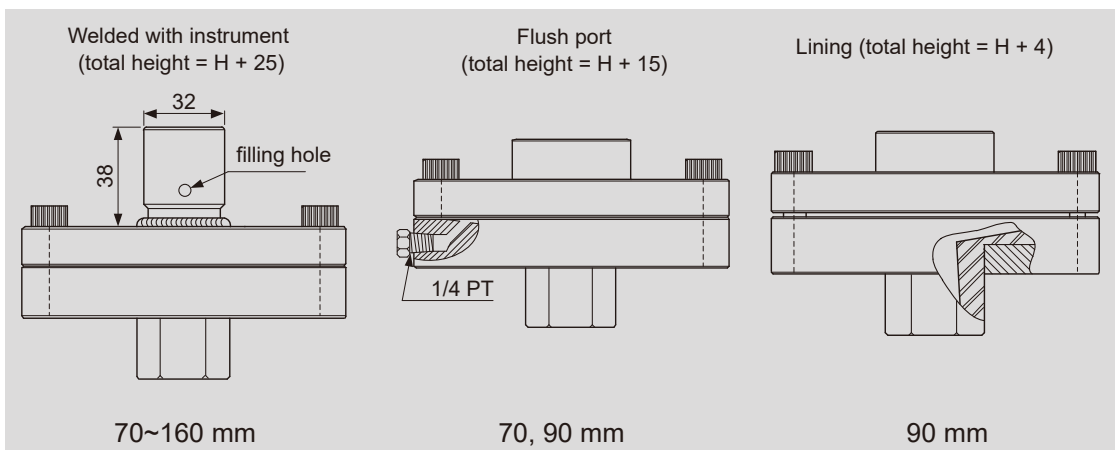
3. When the diaphragm material is 316L with PTFE coating, it must not be used

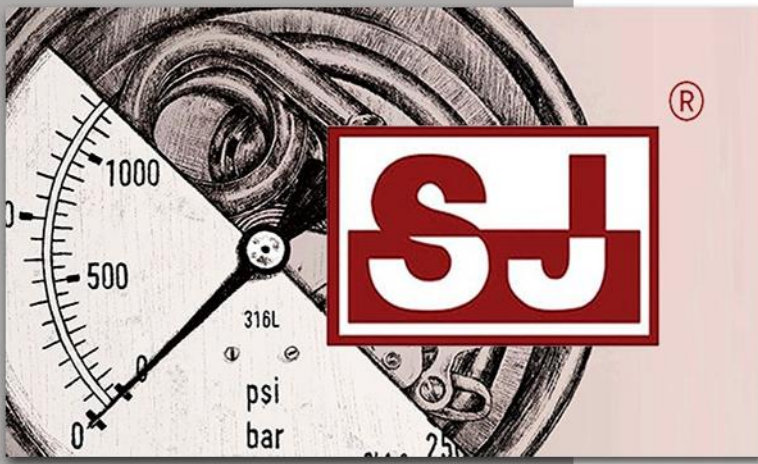
in vacuum environments or for measuring media containing particles.

# DIMENSIONS



C	b	Male		Female			Union nut and loose threaded		
		H	HE	h	H	HE	h	H	HE
70 90	1/4	61	22	15	48	22	29	62	22
	3/8	63	22	15	48	22	31	64	22
	1/2	66	22	15	48	30	34	67	30
	3/4	68	27	20	53	32	36	69	32
	1	69	35	21	54	38	39	72	38
130 160	1/4	81	22	15	68	22	29	82	22
	3/8	83	22	15	68	22	31	84	22
	1/2	86	22	15	68	30	34	87	30
	3/4	88	27	20	73	32	36	89	32
	1	89	35	21	74	38	39	92	38





# rsIMMA

*Elementos For Manufacturing Purposes*



## **MEXICO BRANCH OFFICE**

Roberto Diaz No. 401  
Ciudad Industrial  
Aguascalientes, Ags.  
México  
20290

[4ManPro@4ManPro.com](mailto:4ManPro@4ManPro.com)

+52 (449) 171 3420  
[www.4ManPro.com/SPA/](http://www.4ManPro.com/SPA/)

## **USA BRANCH OFFICE**

708 Main St.  
10<sup>th</sup> Floor  
Houston, Tx, USA  
77002

[4ManPro\\_USA  
@4ManPro.com](mailto:4ManPro_USA@4ManPro.com)

+1 (832) 871 5022  
[www.4ManPro.com/ENG/](http://www.4ManPro.com/ENG/)