





Threaded Connection, bottom PP

Model: DIT-PPS



PRODUCT DESCRIPTION



Could be integrated with a pointer, digital manometer or transmitter



Suitable for measuring acidic fluids, which are compatible with Viton



Suitable for circuit board equipment, the petrochemical industry, etc.

PRODUCT SPECIFICATION

Scale ranges

Pressure gauge:

0 ... 1 bar to 0 ... 20 bar, or all other equivalent pressure ranges

Digital pressure gauge and pressure transmitter:

0 ... 1 bar to 0 ... 20 bar, or all other equivalent vacuum or combined pressure and vacuum ranges

Process connection

1/2PT (female)

Instrument connection

G 1/4

Material

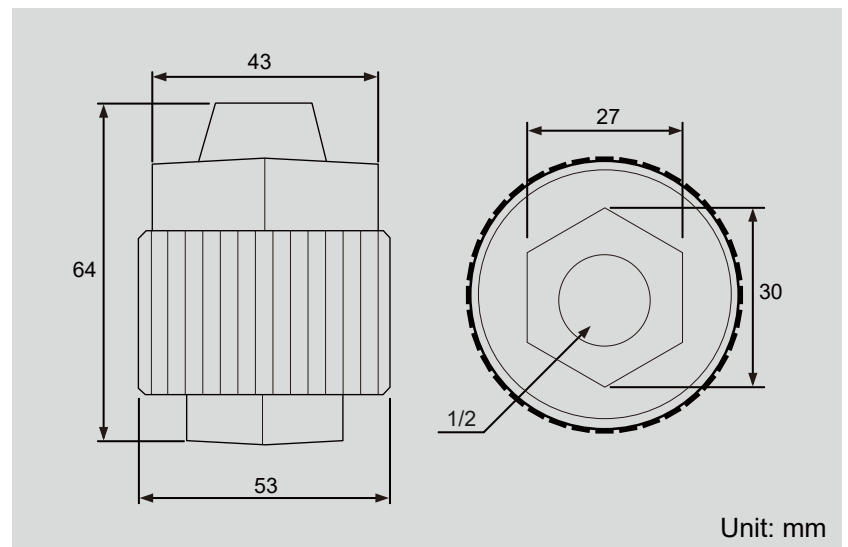
Body: Polypropylene, black

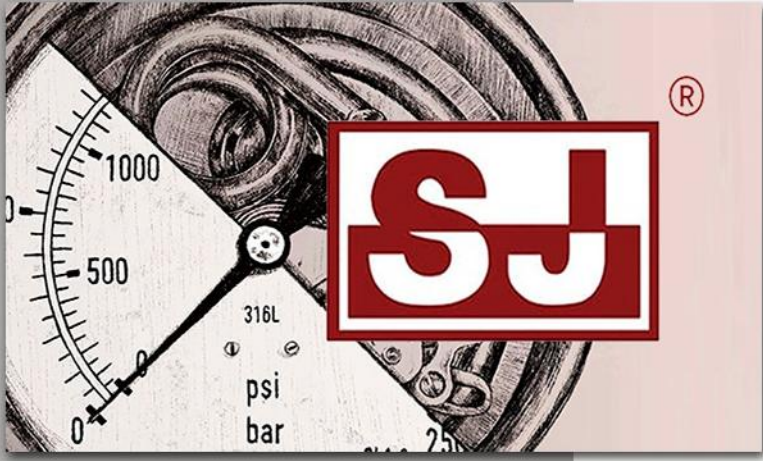
Diaphragm: Viton

Medium temperature

0°C ... 60°C

DIMENSIONS





rsIMMA

Elementos For Manufacturing Processes



MEXICO BRANCH OFFICE

Roberto Diaz No. 401
Ciudad Industrial
Aguascalientes, Ags.
México
20290

4ManPro@4ManPro.com

+52 (449) 171 3420

www.4ManPro.com/SPA/

USA BRANCH OFFICE

708 Main St.
10th Floor
Houston, Tx, USA
77002

4ManPro_USA@4ManPro.com

+1 (832) 871 5022

www.4ManPro.com/ENG/