





Threaded Connection, Intergrated PP

Model: DIT-PP



PRODUCT DESCRIPTION

- ▼ Polypropylene has excellent anti-corrosion properties
- ▼ One-piece molded, rarely cracks or leaks
- ▼ Mainly used in printing circuit boards, liquid filter pumps, etc.

PRODUCT SPECIFICATION

Connection location

Bottom mount

Diameter

2.5"

Scale ranges

0 ... 1 bar to 0 ... 20 bar,
or other equivalent units of pressure

Accuracy

±1.6% F.S.

Process connection

PP
1/2PT (Female)

Diaphragm

Viton, PTFE

Case/ring

Polypropylene, black

Window

Acrylic

Dial

Aluminum
Black scale on white

Pointer

Standard pointer, aluminium, black

Bourdon tube

Copper alloy

Case filling

Without, glycerine

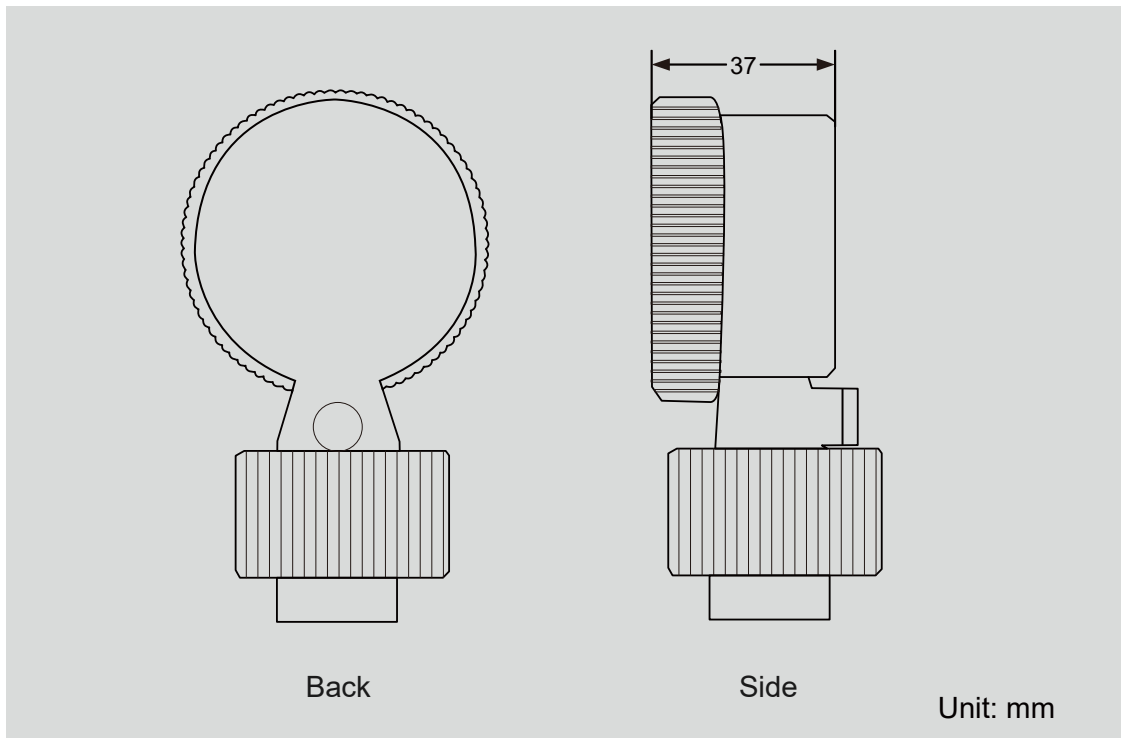
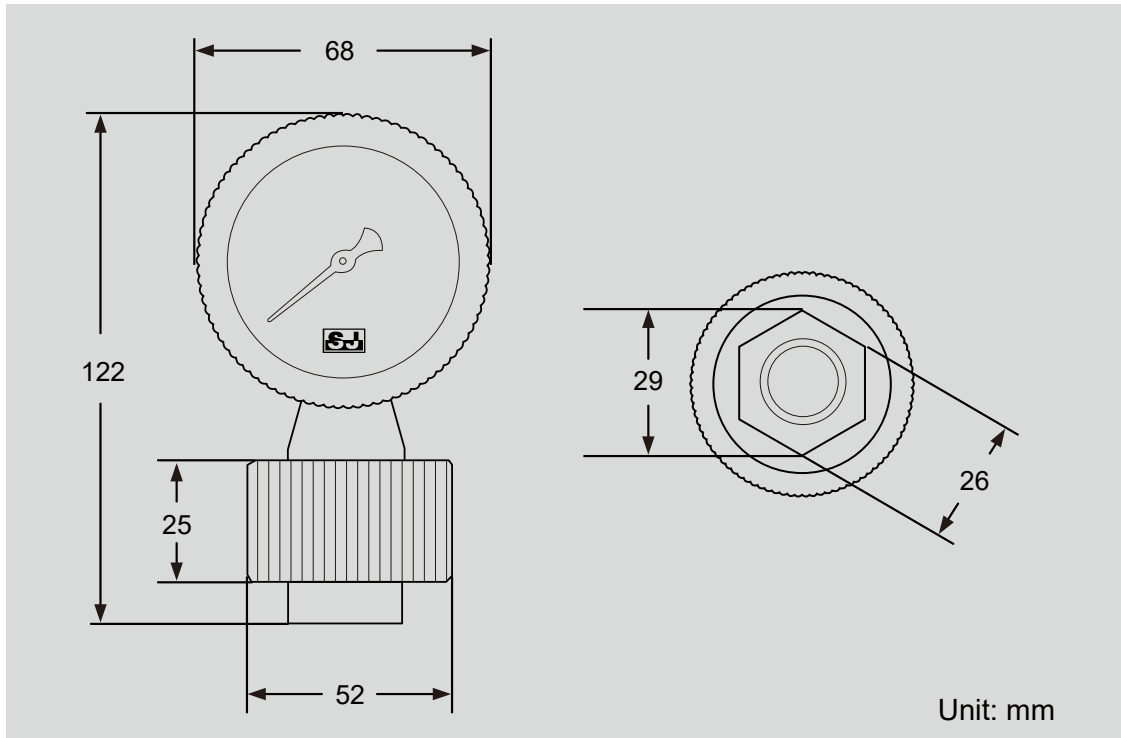
Medium temperature

0°C ... 60°C

Accessories

Adjustable set pointers
(red / red and green)

DIMENSIONS





rsIMMA

Elementos For Manufacturing Processes



MEXICO BRANCH OFFICE

Roberto Diaz No. 401
Ciudad Industrial
Aguascalientes, Ags.
México
20290

4ManPro@4ManPro.com
+52 (449) 171 3420
www.4ManPro.com/SPA/



USA BRANCH OFFICE

708 Main St.
10th Floor
Houston, Tx, USA
77002

4ManPro_USA@4ManPro.com
+1 (832) 871 5022
www.4ManPro.com/ENG/