





# Threaded Connection, High Pressure

Model: DIT-H



## PRODUCT DESCRIPTION

- ▼ Recommended for high pressure application
- ▼ For corrosive, viscous or sewage media measurement
- ▼ Ideal for petrochemical, wastewater technology etc.

## PRODUCT SPECIFICATION

### Type

Welded, screwed

### Diameter

62, 70, 95 mm

### Process connection

Male, female

1/4, 3/8, 1/2

PT, G, NPT, M

### Instrument connection

1/4, 3/8, 1/2

PT, G, NPT, M

### Scale ranges

62 mm

Pressure Gauge:

0...200 bar to 0 ... 600 bar

70 mm

Pressure Gauge:

0...10 bar to 0 ... 600 bar

Transmitter:

0...10 bar to 0 ... 600 bar, or other equivalent units of pressure, vacuum or compound

### Medium temperature

0°C ... 80°C,

81°C ... 200°C,

201°C ... 400°C

### Others

Welded with instrument, flush port

### Material (welded)

Body:

304 SS, 316 SS, 316L SS, Dual Phase Steel, Hastelloy C276, Tantalum, Monel

400, Titanium, Nickel 200

Diaphragm:

316L SS, Hastelloy C276, Tantalum,

Monel 400, Titanium, Nickel 200

### Material (screwed)

Upper body:

304 SS, 316 SS, 316L SS, Dual Phase Steel, Hastelloy C276, Tantalum, Monel

400, Titanium, Nickel 200

Lower body:

304 SS, 316 SS, 316L SS, Dual Phase Steel, Hastelloy C276, Tantalum, Monel

400, Titanium, Nickel 200

Diaphragm:

316L SS, PTFE, Hastelloy C276,

Tantalum, Monel 400, Titanium, Nickel

200, Silicone, Viton, 316L+ PTFE,

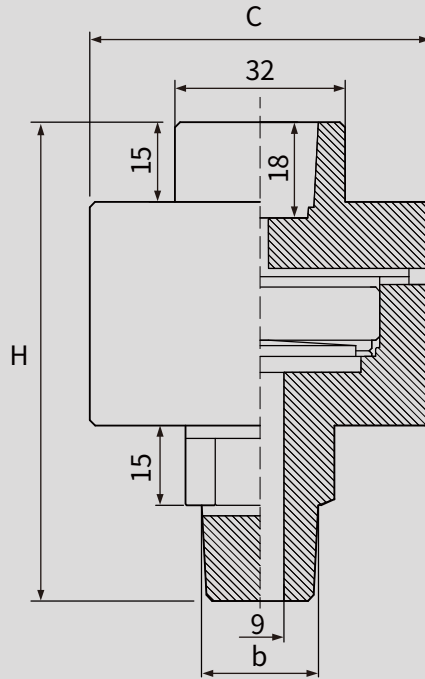
316L+ PTFE Coating\*<sup>1</sup>

\* Note:

1. When the diaphragm material is 316L with PTFE coating, it must not be used in vacuum environments or for measuring media containing particles.

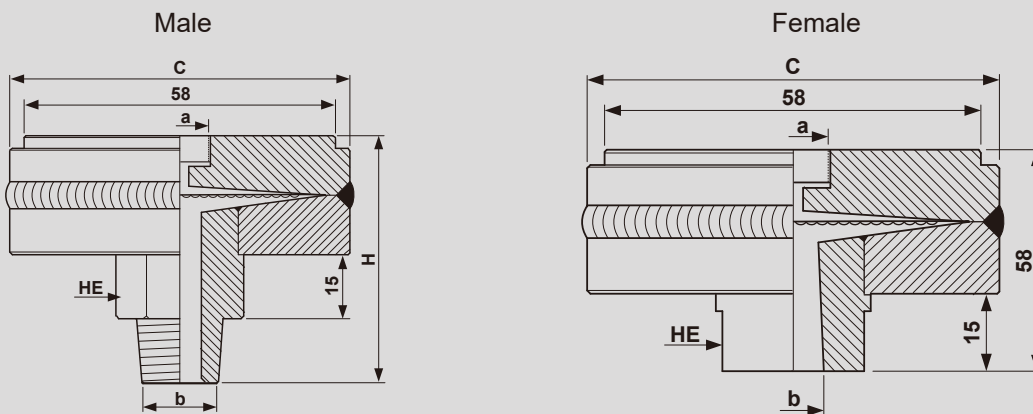
## DIMENSIONS

Welded type, diameter (C): 62



C	b	H
62	1/2 NPT	90

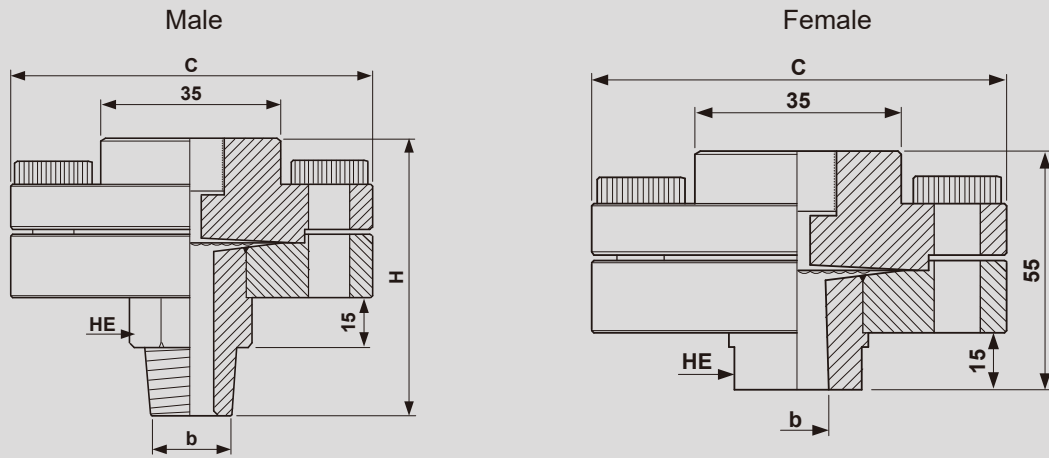
Welded type, diameter(C): 70



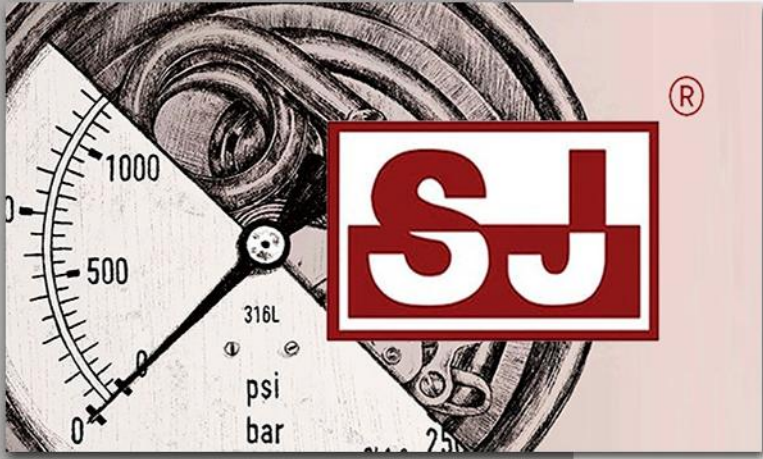
C	b	Male		Female
		H	HE	HE
70	1/4	71	22	32
	3/8	73	22	32
	1/2	76	22	32
	3/4	78	27	41
	1	79	35	41

## DIMENSIONS

Screwed type, diameter(C): 70



C	b	Male		Female
		H	HE	HE
70	1/4	68	22	32
	3/8	70	22	32
	1/2	73	22	32
	3/4	75	27	41
	1	76	35	41



# rsIMAC

*Elementos For Manufacturing Purposes*



## **MEXICO BRANCH OFFICE**

Roberto Diaz No. 401  
Ciudad Industrial  
Aguascalientes, Ags.  
México  
20290

[4ManPro@4ManPro.com](mailto:4ManPro@4ManPro.com)

+52 (449) 171 3420

[www.4ManPro.com/SPA/](http://www.4ManPro.com/SPA/)

## **USA BRANCH OFFICE**

708 Main St.  
10<sup>th</sup> Floor  
Houston, Tx, USA  
77002

[4ManPro\\_USA](mailto:4ManPro_USA@4ManPro.com)

[@4ManPro.com](mailto:@4ManPro.com)

+1 (832) 871 5022

[www.4ManPro.com/ENG/](http://www.4ManPro.com/ENG/)