



Welding Tri-Clamp Diaphragm Seal for Small-size Pipeline Connections

Model: DIT-CS

Product Description

- Special design for small-size pipeline connections
- Enlarging the upper seat and diaphragm can ensure precision and fit different pipeline connections
- Ideal for industries such as petrochemical, chemical equipment construction, sewage treatment, paper, etc.



Product Specification

Diameter

70 mm, 90 mm

Process connection

1/2", 3/4", 1", 1 1/2"

Instrument connection

1/4", 3/8", 1/2"

PT, G, NPT, M

Scale ranges

70 mm

Pressure gauge:

0 ... 2.5 bar to 0 ... 25 bar

Transmitter:

0 ... 0.01 bar to -1 ... 25 bar

90 mm

Pressure gauge:

-1 ... 0 bar to -1 ... 25 bar

Transmitter:

0 ... 0.01 bar to -1 ... 25 bar

or all other equivalent vacuum or combined pressure and vacuum ranges

Material

Body: 304 SS, 316L SS, Hastelloy C276

Diaphragm: 316L SS, Hastelloy C276

Medium Temperature

0°C ... 80°C (standard), 81°C ... 200°C,

201°C ... 400°C

Accessories (options)

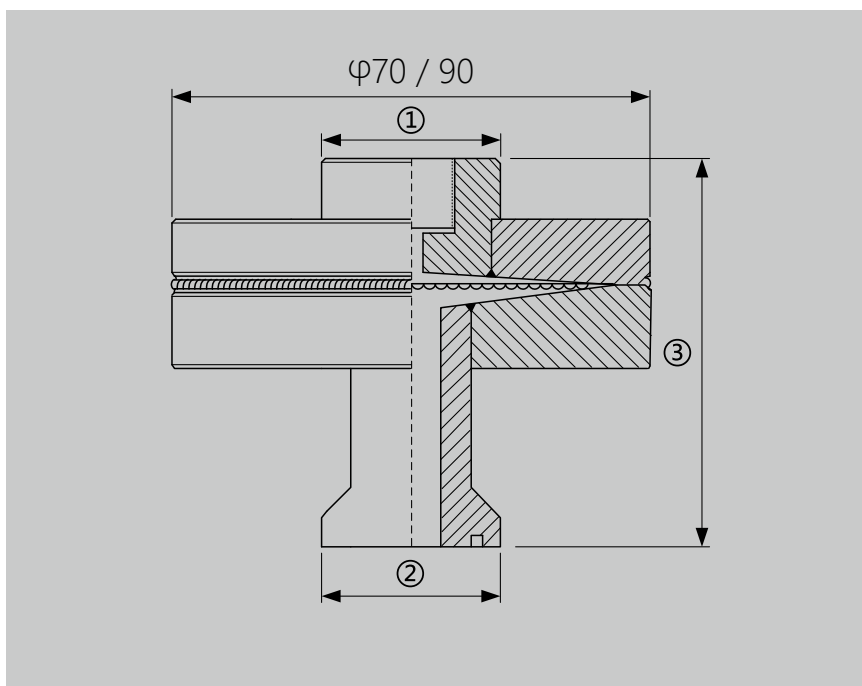
Clamp, gasket, ferrule

Others

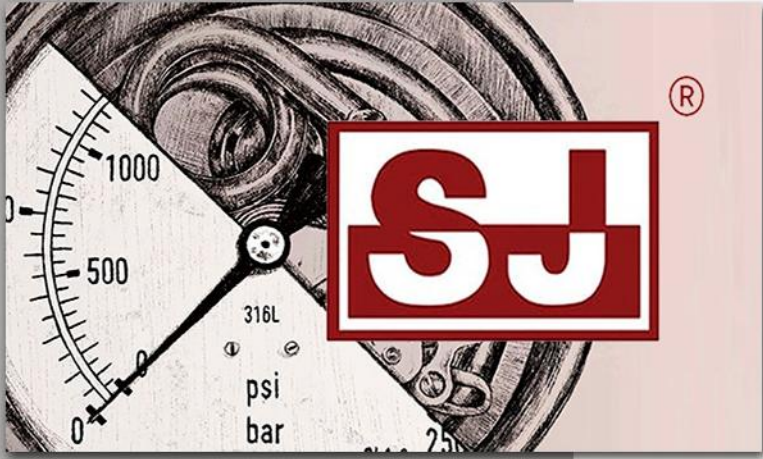
Welded with instrument, flush port



Dimensions



Dimensions (mm)				
$\phi 70 / 90$	①	②		③
	28	1/2"	25.2	50
	28	3/4"	25.2	50
	28	1"	50.4	50
	28	1-1/2"	50.4	50



rsIMAC

Elementos For Manufacturing Purposes



MEXICO BRANCH OFFICE

Roberto Diaz No. 401
Ciudad Industrial
Aguascalientes, Ags.
México
20290

4ManPro@4ManPro.com

+52 (449) 171 3420
www.4ManPro.com/SPA/

USA BRANCH OFFICE

708 Main St.
10th Floor
Houston, Tx, USA
77002

4ManPro_USA@4ManPro.com

+1 (832) 871 5022
www.4ManPro.com/ENG/