





Sanitary Diaphragm Seals, SMS Standard

Model: DIS-SMS



PRODUCT DESCRIPTION



Applications for measuring viscous, powdery and clotting hydraulic fluid



Quick mounting and dismounting, easy to clean from the outside without residue

PRODUCT SPECIFICATION

Scale ranges

Pressure gauge:

1.5":

-1 ... 5 bar, 0 ... 6 bar to 0 ... 40 bar

2", 2.5":

-1 ... 3 bar, 0 ... 4 bar to 0 ... 25 bar

3", 4":

-1 ... 1.5 bar, 0 ... 1.6 bar to 0 ... 16 bar

Transmitter:

1.5":

-1 ... 0 bar, 0 ... 0.3 bar to 0 ... 40 bar

2", 2.5":

-1 ... 0.6 bar, 0 ... 0.1 bar to 0 ... 25 bar

3", 4":

-1 ... 0.6 bar, 0 ... 0.1 bar to 0 ... 16 bar,

or all other equivalent vacuum or

combined pressure and vacuum ranges

Process connection

Female, male

1.5", 2", 2.5", 3", 4"

Instrument connection

1/4, 3/8, 1/2

PT, G, NPT, M

Material

Body:

304 SS, 316L SS, Hastelloy C276,

Tantalum, Titanium, Monel 400,

Nickel 200

Diaphragm:

316L SS, Hastelloy C276, Tantalum,

Titanium, Monel 400, Nickel 200

Medium temperature

0°C ... 80°C,

81°C ... 200°C,

201°C ... 400°C

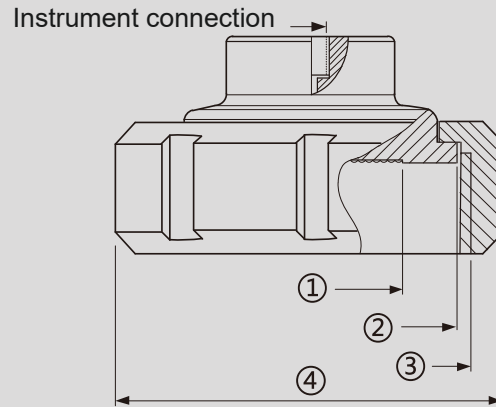
Others

Welded with instrument,

coating (PTFE or PFA)

DIMENSIONS

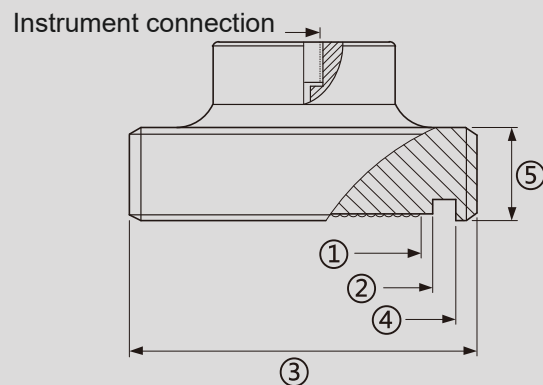
Female



Dimensions (mm)

Process connection	①	②	③	④
1.5"	35	55	RD60 × 1/6	74
2"	48	65	RD70 × 1/6	84
2.5"	58	80	RD85 × 1/6	100
3"	68	93	RD98 × 1/6	114
4"	88	118	RD125 × 1/6	138

Male



Dimensions (mm)

Process connection	①	②	③	④	⑤
1.5"	35	38	RD60 × 1/6	48.5	15
2"	48	51	RD70 × 1/6	61	15
2.5"	58	63.5	RD85 × 1/6	74	20
3"	68	76.1	RD98 × 1/6	87	20
4"	88	104	RD125 × 1/6	113	20



rsIMMA

Elementos For Manufacturing Purposes



MEXICO BRANCH OFFICE

Roberto Diaz No. 401
Ciudad Industrial
Aguascalientes, Ags.
México
20290

4ManPro@4ManPro.com

+52 (449) 171 3420
www.4ManPro.com/SPA/

USA BRANCH OFFICE

708 Main St.
10th Floor
Houston, Tx, USA
77002

4ManPro_USA@4ManPro.com

+1 (832) 871 5022
www.4ManPro.com/ENG/