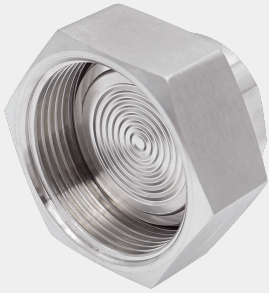






# Sanitary Diaphragm Seals, IDF Standard

Model: DIS-IDF



## PRODUCT DESCRIPTION



Clamp connections are fast and easy to open for cleaning and seal replacement



Grooved union nut and thread coupling can be selected



Suitable for Sterilization in Place (SIP) and Clean in Place (CIP)

## PRODUCT SPECIFICATION

### Scale ranges

Pressure gauge:

1.5":

-1 ... 5 bar, 0 ... 6 bar to 0 ... 40 bar

2", 2.5":

-1 ... 3 bar, 0 ... 4 bar to 0 ... 25 bar

3", 4":

-1 ... 1.5 bar, 0 ... 1.6 bar to 0 ... 16 bar

Transmitter:

1.5":

-1 ... 0 bar, 0 ... 0.3 bar to 0 ... 40 bar

2", 2.5":

-1 ... 0.6 bar, 0 ... 0.1 bar to 0 ... 25 bar

3", 4":

-1 ... 0.6 bar, 0 ... 0.1 bar to 0 ... 16 bar,

or all other equivalent vacuum or

combined pressure and vacuum ranges

### Process connection

Female, male

1.5", 2", 2.5", 3", 4"

### Instrument connection

1/4, 3/8, 1/2

PT, G, NPT, M

### Material

Body:

304 SS, 316L SS, Hastelloy C276,

Tantalum, Titanium, Monel 400,

Nickel 200

Diaphragm:

316L SS, Hastelloy C276, Tantalum,

Titanium, Monel 400, Nickel 200

### Medium temperature

0°C ... 80°C,

81°C ... 200°C,

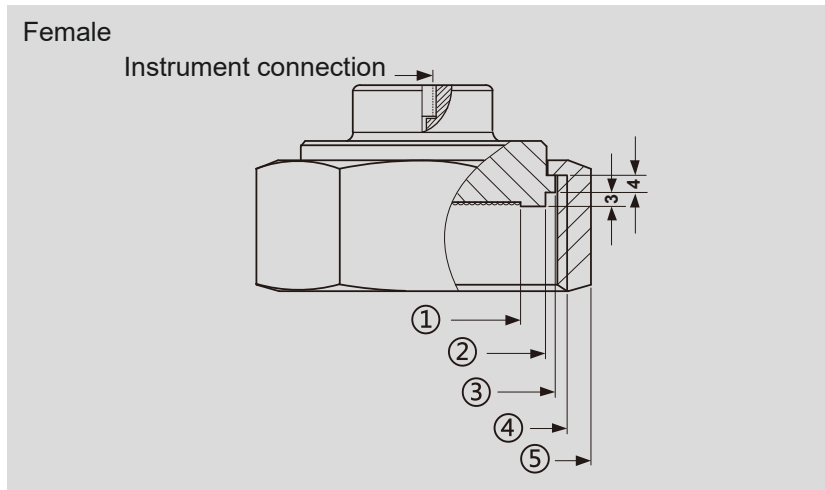
201°C ... 400°C

### Others

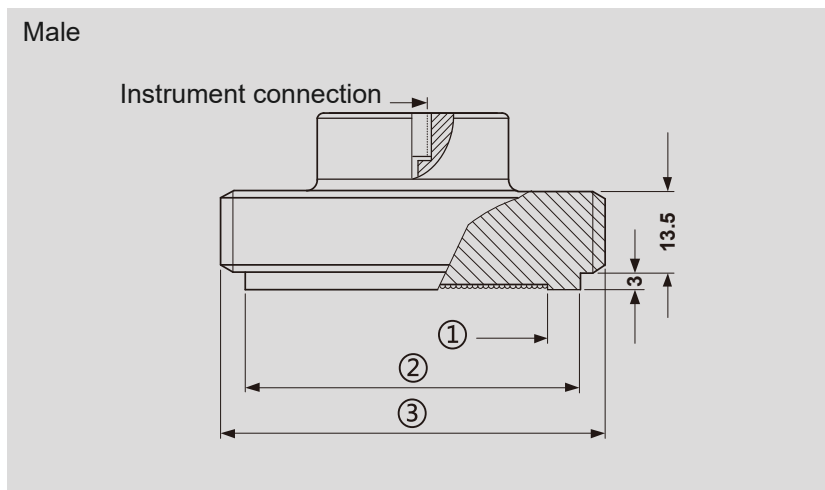
Welded with instrument,

coating (PTFE or PFA)

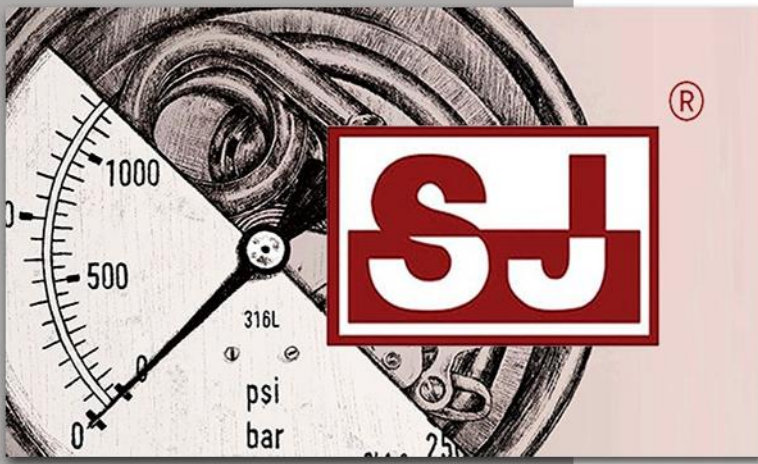
## DIMENSIONS



Dimensions (mm)					
Process connection	①	②	③	④	⑤
1.5"	35	42.7	47	47.86 × 8T	60
2"	48	56.2	60.5	61.37 × 8T	75
2.5"	58	69.9	74	74.88 × 8T	90
3"	68	82.6	87.5	88.40 × 8T	105
4"	88	111.1	120.6	112.05 × 8T	133



Dimensions (mm)			
Process connection	①	②	③
1.5"	35	42.7	47.86 × 8T
2"	48	56.2	61.37 × 8T
2.5"	58	69.9	74.88 × 8T
3"	68	82.6	88.40 × 8T
4"	88	111.1	112.05 × 8T



# rsIMAC

*Elementos For Manufacturing Purposes*



## **MEXICO BRANCH OFFICE**

Roberto Diaz No. 401  
Ciudad Industrial  
Aguascalientes, Ags.  
México  
20290

[4ManPro@4ManPro.com](mailto:4ManPro@4ManPro.com)

+52 (449) 171 3420  
[www.4ManPro.com/SPA/](http://www.4ManPro.com/SPA/)

## **USA BRANCH OFFICE**

708 Main St.  
10<sup>th</sup> Floor  
Houston, Tx, USA  
77002

[4ManPro\\_USA  
@4ManPro.com](mailto:4ManPro_USA@4ManPro.com)

+1 (832) 871 5022  
[www.4ManPro.com/ENG/](http://www.4ManPro.com/ENG/)