





Sanitary Diaphragm Seals, DIN Standard

Model: DIS-DIN



PRODUCT DESCRIPTION

▼
Flush welded diaphragm seal to assure the best hygiene and quick cleaning

▼
Especially designed for sanitary application such as dairy and breweries

PRODUCT SPECIFICATION

Scale ranges

Pressure gauge:

1.5":

-1 ... 5 bar, 0 ... 6 bar to 0 ... 40 bar

2", 2.5":

-1 ... 3 bar, 0 ... 4 bar to 0 ... 25 bar

3", 4":

-1 ... 1.5 bar, 0 ... 1.6 bar to 0 ... 16 bar

Transmitter:

1.5":

-1 ... 0 bar, 0 ... 0.3 bar to 0 ... 40 bar

2", 2.5":

-1 ... 0.6 bar, 0 ... 0.1 bar to 0 ... 25 bar

3", 4":

-1 ... 0.6 bar, 0 ... 0.1 bar to 0 ... 16 bar,

or all other equivalent vacuum or combined pressure and vacuum ranges

Process connection

Female, male

1.5", 2", 2.5", 3", 4"

Instrument connection

1/4, 3/8, 1/2

PT, G, NPT, M

Material

Body:

304 SS, 316L SS, Hastelloy C276,

Tantalum, Titanium, Monel 400,

Nickel 200

Diaphragm:

316L SS, Hastelloy C276, Tantalum,

Titanium, Monel 400, Nickel 200

Medium temperature

0°C ... 80°C,

81°C ... 200°C,

201°C ... 400°C

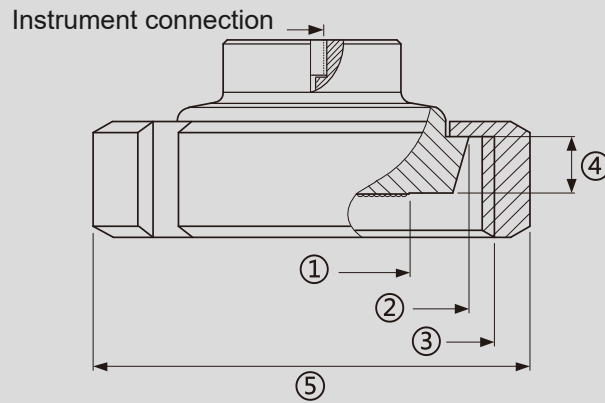
Others

Welded with instrument,

coating (PTFE or PFA)

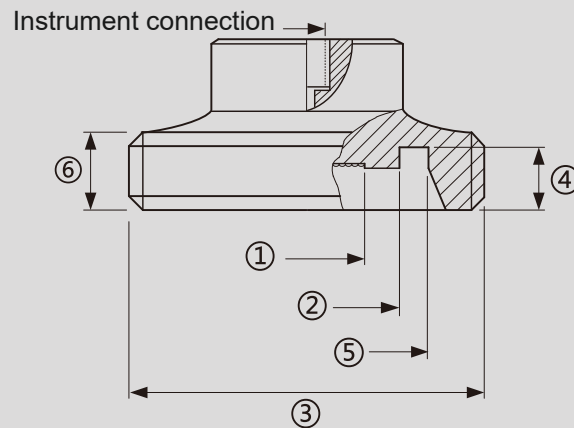
DIMENSIONS

Female

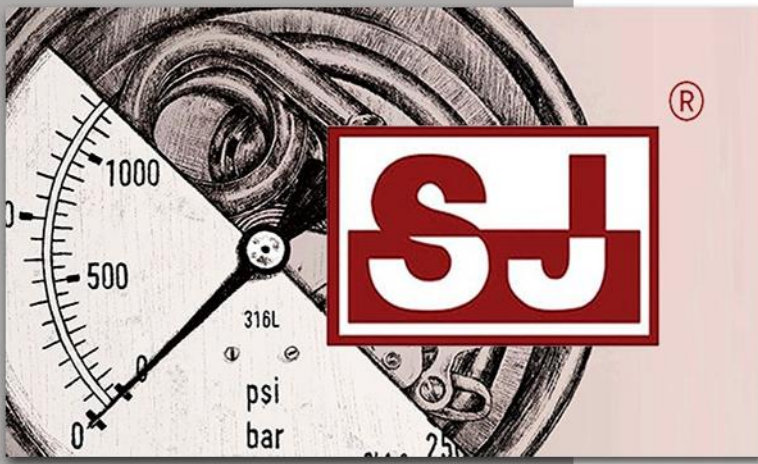


Dimensions (mm)					
Process connection	①	②	③	④	⑤
1.5"	35	56	RD 65 × 1/6	10	78
2"	48	68	RD 78 × 1/6	11	92
2.5"	58	86	RD 95 × 1/6	12	112
3"	68	100	RD 110 × 1/4	12	127
4"	88	121	RD 130 × 1/4	15	148

Male



Dimensions (mm)						
Process connection	①	②	③	④	⑤	⑥
1.5"	35	42	RD 65 × 1/6	10.5	52	15
2"	48	54	RD 78 × 1/6	10.5	64	15
2.5"	58	71	RD 95 × 1/6	11.5	81	16
3"	68	85	RD 110 × 1/4	11.5	95	20
4"	88	104	RD 130 × 1/4	13.5	114	22



rsIMMA

Elementos For Manufacturing Purposes



MEXICO BRANCH OFFICE

Roberto Diaz No. 401
Ciudad Industrial
Aguascalientes, Ags.
México
20290

4ManPro@4ManPro.com

+52 (449) 171 3420
www.4ManPro.com/SPA/

USA BRANCH OFFICE

708 Main St.
10th Floor
Houston, Tx, USA
77002

4ManPro_USA@4ManPro.com

+1 (832) 871 5022
www.4ManPro.com/ENG/