





Sanitary Diaphragm Seals, Tri-clamp Diaphragm

Model: DIS-C



PRODUCT DESCRIPTION

▼
Clamp connection, easy to clean and mount

▼
Used in the food, beverage, pharmaceutical and bio industries

PRODUCT SPECIFICATION

Scale ranges

Pressure gauge:

1.5" :

-1 ... 5 bar \ 0 ... 4 bar to 0 ... 25 bar

2" \ 2.5" :

-1 ... 3 bar \ 0 ... 2.5 bar to 0 ... 16 bar

3" \ 4" :

-1 ... 1.5 bar \ 0 ... 1.6 bar to 0 ... 16 bar

Transmitter:

1.5" :

-1 ... 0 bar \ 0 ... 0.3 bar to 0 ... 25 bar

2" \ 2.5" \ 3" \ 4" :

-1 ... 0.6 bar \ 0 ... 0.1 to 0 ... 16 bar,

or all other equivalent vacuum or

combined pressure and vacuum ranges

Process connection

1.5", 2", 2.5", 3", 4"

Instrument connection

1/4, 3/8, 1/2

PT, G, NPT, M

Material

Body:

304 SS, 316L SS, Hastelloy C276,

Tantalum, Titanium, Monel 400,

Nickel 200

Diaphragm:

316L SS, Hastelloy C276, Tantalum,

Titanium, Monel 400, Nickel 200

Medium temperature

0°C ... 80°C,

81°C ... 200°C,

201°C ... 400°C

Accessories (options)

Clamp, gasket, ferrule

Others

Welded with instrument,

coating (PTFE or PFA)

ACCESSORIES (OPTION)



▼ Accessories
Clamp

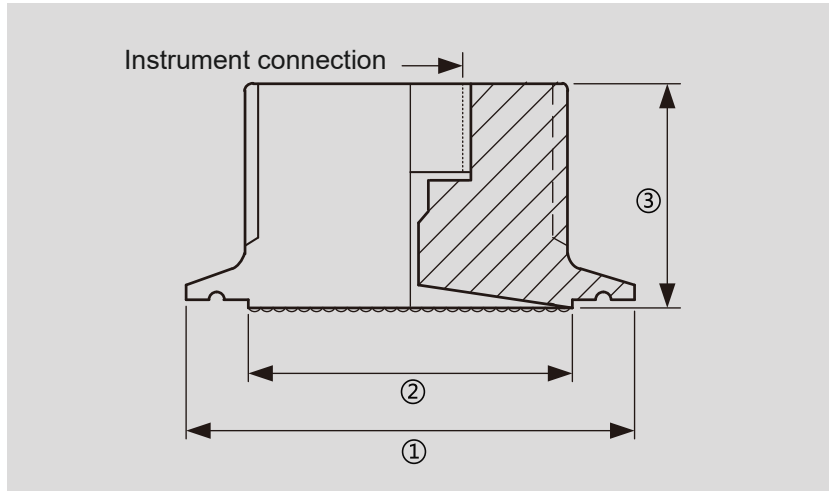


▼ Accessories
Gasket

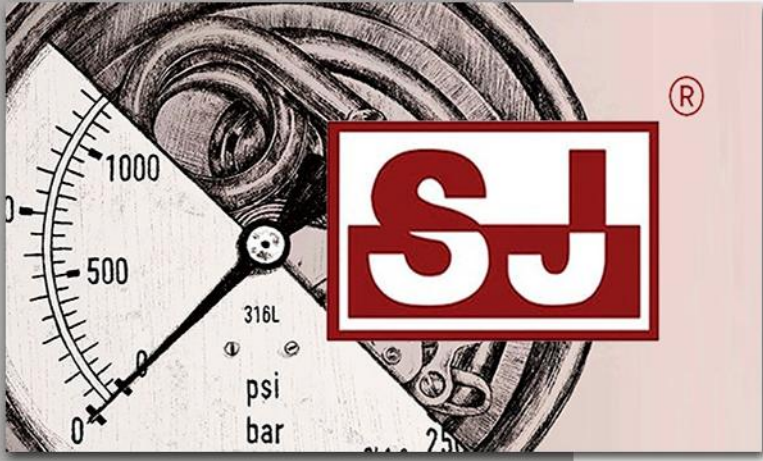


▼ Accessories
Ferrule

DIMENSIONS



Dimensions (mm)			
Process connection	①	②	③
1.5"	50.4	35	29
2"	64	48	29
2.5"	77.5	58	29
3"	91	68	29
4"	119	88	29



rsIMMA

Elementos For Manufacturing Purposes



MEXICO BRANCH OFFICE

Roberto Diaz No. 401
Ciudad Industrial
Aguascalientes, Ags.
México
20290

4ManPro@4ManPro.com

+52 (449) 171 3420

www.4ManPro.com/SPA/

USA BRANCH OFFICE

708 Main St.
10th Floor
Houston, Tx, USA
77002

4ManPro_USA@4ManPro.com

+1 (832) 871 5022

www.4ManPro.com/ENG/