





Flanged Connection, Upper Metal, Lower Plastic

Model: DIF-USLP



PRODUCT DESCRIPTION

- ▼
A metal upper body that connects to the instrument is tight and durable
- ▼
Plastic lower body can protect pressure instruments from corrosive, contaminated or viscous media
- ▼
Suitable for paint, electroplating, sewage treatment and the paper industry

PRODUCT SPECIFICATION

Type of process connection

ANSI/ ASME B16.5, JIS, DIN2527

Nominal diameter

1/2", 3/4", 1", 1 1/4", 1 1/2", 2", 3", 4"

Instrument connection

1/4, 3/8, 1/2

PT, G, NPT, M

Scale ranges - metal diaphragm

Pressure gauge:

1/2", 3/4":

0 ... 4 bar to 0 ... 25 bar

1" ... 1 1/4":

-1 ... 3 bar,

0 ... 1.6 bar to 0 ... 25 bar

2":

-1 ... 1.5 bar,

0 ... 0.6 bar to 0 ... 25 bar

3", 4":

-1 ... 0.6 bar,

0 ... 0.6 bar to 0 ... 25 bar

Transmitter:

1/2", 3/4":

0 ... 0.4 bar to 0 ... 25 bar

1" ... 1 1/4":

-1 ... 0.6 bar,

0 ... 0.25 bar to 0 ... 25 bar

2":

-1 ... 0.6 bar,

0 ... 0.1 bar to 0 ... 25 bar

3", 4":

-0.05 ... 0.05 bar to 0 ... 25 bar

or all other equivalent vacuum or

combined pressure and vacuum ranges

Scale ranges - PTFE diaphragm

Pressure gauge:

1/2", 3/4":

-1 ... 5 bar,

0 ... 2.5 bar to 0 ... 25 bar

1" ... 1 1/4":

-1 ... 1.5 bar,

0 ... 1.6 bar to 0 ... 25 bar

2":

-1 ... 0.6 bar,

0 ... 0.6 bar to 0 ... 25 bar

3", 4":

-1 ... 0.6 bar,

0 ... 0.1 bar to 0 ... 25 bar

Transmitter:

1/2", 3/4":

-1 ... 3 bar,

0 ... 0.4 bar to 0 ... 25 bar

1" ... 1 1/4":

-1 ... 0.6 bar,

0 ... 0.1 bar to 0 ... 25 bar

2":

-0.05 ... 0.05 bar to 0 ... 25 bar

3", 4":

-0.05 ... 0.05 bar to 0 ... 25 bar

or all other equivalent vacuum or

combined pressure and vacuum ranges

Material

Upper body:

304 SS, 316 SS, 316L SS, Duplex SS,

Hastelloy Alloy, Tantalum, Titanium,

Monel 400 Alloy, Nickel 200

Lower body:

PP, PVC, PVDF, PTFE

Diaphragm:

PTFE, Hastelloy Alloy, Titanium,

Tantalum, Monel 400 Alloy, Nickel 200,

Silicone, Viton®, 316L+PTFE*1,

316L+PTFE Coating*2

* Note:

1. When the diaphragm material is 316L with PTFE, it is not suitable for vacuum applications.
2. When the diaphragm material is 316L with PTFE coating, it must not be used in vacuum environments or for measuring media containing particles.

The product images displayed in the catalog are illustrative, and the actual products will be customized to your requirements.

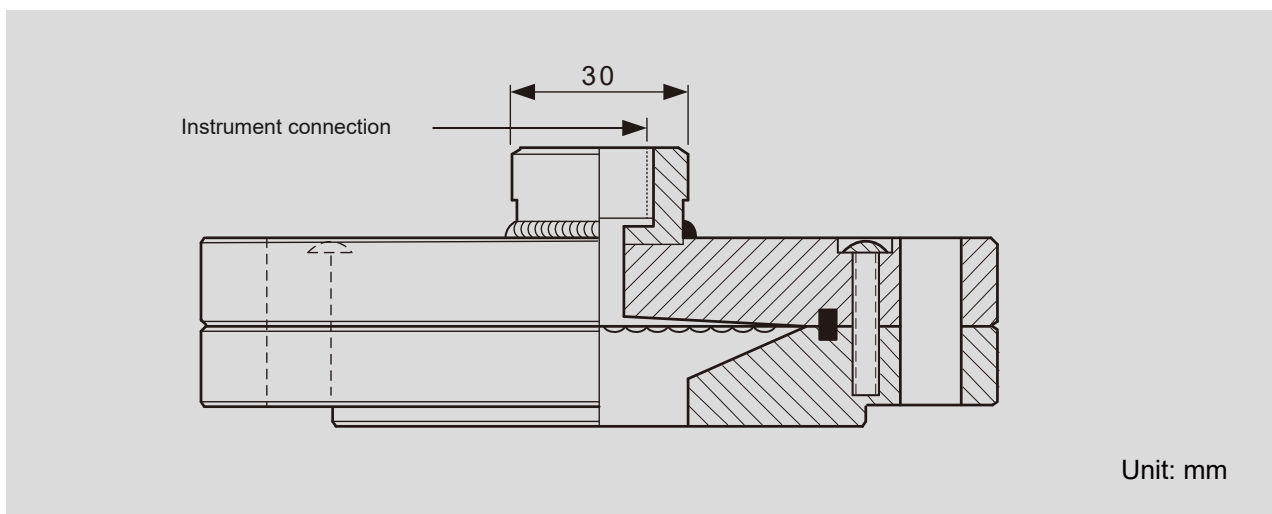
Medium temperature

- 0°C ... 60°C (PVC),
- 0°C ... 80°C (PP),
- 40°C ... 120°C (PVDF),
- 200°C ... 240°C (PTFE)

Others

Welded with instrument, capillary

DIMENSIONS





rsIMMA

Elementos For Manufacturing Purposes



MEXICO BRANCH OFFICE

Roberto Diaz No. 401
Ciudad Industrial
Aguascalientes, Ags.
México
20290

4ManPro@4ManPro.com
+52 (449) 171 3420
www.4ManPro.com/SPA/

USA BRANCH OFFICE

708 Main St.
10th Floor
Houston, Tx, USA
77002

4ManPro_USA@4ManPro.com
+1 (832) 871 5022
www.4ManPro.com/ENG/