





# Flanged Connection with Corrosion-resistant Plastic

Model: DIF-P



## PRODUCT DESCRIPTION

▼  
The all-plastic material design is lightweight and can effectively measure acidic and alkaline media

▼  
Excellent for paint, electroplating, sewage treatment and the paper industry

## PRODUCT SPECIFICATION

### Type of process connection

ANSI/ ASME B16.5, JIS, DIN2527

### Nominal diameter

1/2", 3/4", 1", 1 1/4", 1 1/2", 2", 3", 4"

### Instrument connection

1/4, 3/8, 1/2

PT, G, NPT, M

### Scale ranges - metal diaphragm

Pressure gauge:

1/2", 3/4":

0 ... 4 bar to 0 ... 10 bar

1" ... 1 1/4":

-1 ... 3 bar, 0 ... 1.6 bar to 0 ... 10 bar

2":

-1 ... 1.5 bar, 0 ... 0.6 bar to 0 ... 10 bar

3", 4":

-1 ... 0.6 bar, 0 ... 0.6 bar to 0 ... 10 bar

Transmitter:

1/2", 3/4":

0 ... 0.4 bar to 0 ... 10 bar

1" ... 1 1/4":

-1 ... 0.6 bar, 0 ... 0.25 bar to 0 ... 10 bar

2":

-1 ... 0.6 bar, 0 ... 0.1 bar to 0 ... 10 bar

3", 4":

-1 ... 0.05 bar, 0 ... 0.05 bar to 0 ... 10 bar

or all other equivalent vacuum or

combined pressure and vacuum ranges

### Scale ranges - PTFE diaphragm

Pressure gauge:

1/2", 3/4":

-1 ... 5 bar, 0 ... 2.5 bar to 0 ... 10 bar

1" ... 1 1/4":

-1 ... 1.5 bar, 0 ... 1.6 bar to 0 ... 10 bar

2":

-1 ... 0.6 bar, 0 ... 0.6 bar to 0 ... 10 bar

3", 4":

-1 ... 0.6 bar, 0 ... 0.1 bar to 0 ... 10 bar

Transmitter:

1/2", 3/4":

-1 ... 3 bar, 0 ... 0.4 bar to 0 ... 10 bar

1" ... 1 1/4":

-1 ... 0.6 bar, 0 ... 0.1 bar to 0 ... 10 bar

2":

-0.05 ... 0.05 bar to 0 ... 10 bar

3", 4":

-0.05 ... 0.05 bar to 0 ... 10 bar

### Material

Upper body:

PP, PVC, PVDF, PTFE

Lower body:

PP, PVC, PVDF, PTFE

Diaphragm:

PTFE, Hastelloy C276, Titanium,

Tantalum, Monel 400, Nickel 200,

Silicone, Viton, 316L+PTFE\*1,

316L+PTFE Coating\*2

### Medium temperature

0°C ... 60°C (PVC),

0°C ... 80°C (PP),

-40°C ... 120°C (PVDF),

-200°C ... 240°C (PTFE)

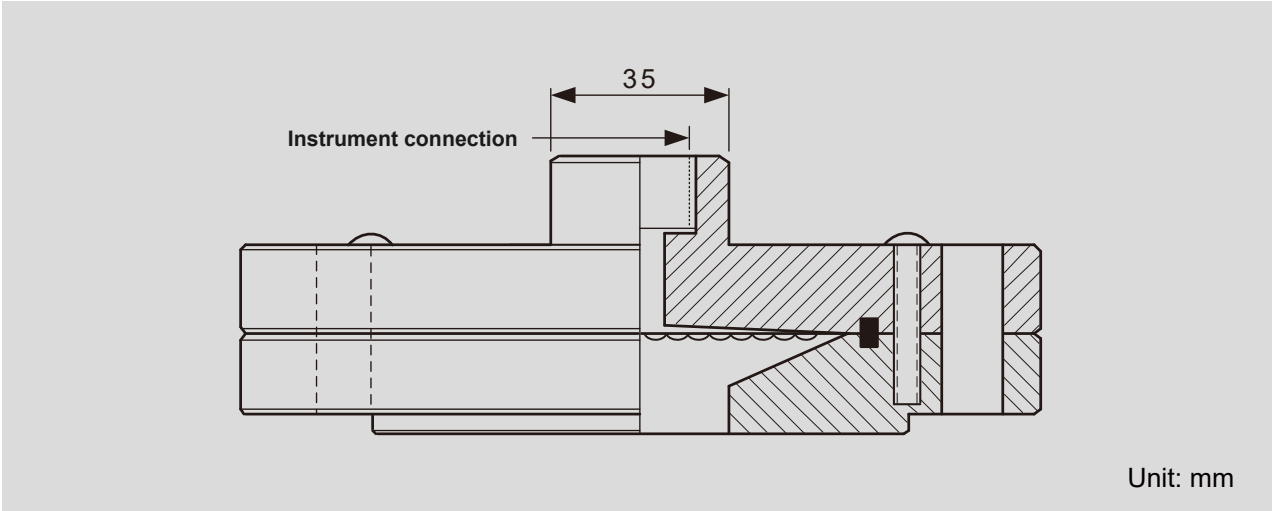
\* Note:

1. When the diaphragm material is 316L with PTFE, it is not suitable for vacuum applications.

2. When the diaphragm material is 316L with PTFE coating, it must not be used in vacuum environments or for measuring media containing particles.

The product images displayed in the catalog are illustrative, and the actual products will be customized to your requirements.

**DIMENSIONS**





# rsIMAC

*Elementos For Manufacturing Processes*



## **MEXICO BRANCH OFFICE**

Roberto Diaz No. 401  
Ciudad Industrial  
Aguascalientes, Ags.  
México  
20290

[4ManPro@4ManPro.com](mailto:4ManPro@4ManPro.com)  
+52 (449) 171 3420  
[www.4ManPro.com/SPA/](http://www.4ManPro.com/SPA/)

## **USA BRANCH OFFICE**

708 Main St.  
10<sup>th</sup> Floor  
Houston, Tx, USA  
77002

[4ManPro\\_USA@4ManPro.com](mailto:4ManPro_USA@4ManPro.com)  
+1 (832) 871 5022  
[www.4ManPro.com/ENG/](http://www.4ManPro.com/ENG/)