





Flanged Connection with Flush Diaphragm

Model: DIF-F



PRODUCT DESCRIPTION

- ▼ One-piece seal design bolts directly to process flange
- ▼ Flush-mounted diaphragm prevents clogging of process media
- ▼ Used in applications with difficult media such as machine building and automation

PRODUCT SPECIFICATION

Type of process connection

ANSI/ ASME B16.5, JIS, DIN2527

Nominal diameter

1", 1 1/4", 1 1/2", 2", 3", 4"

Instrument connection

1/4, 3/8, 1/2
PT, G, NPT, M

Scale ranges

Pressure gauge:

1" ... 1 1/2":
0 ... 10 bar to 0 ... 40 bar
2" ... 4":
-1 ... 3 bar,
0 ... 4 bar to 0 ... 40 bar
3", 4":

-1 ... 1.5 bar,
0 ... 0.6 bar to 0 ... 40 bar

Transmitter:

1" ... 1 1/2":
0 ... 2.5 bar to 0 ... 40 bar
2" ... 4":
-1 ... 0.6 bar,
0 ... 0.25 bar to 0 ... 40 bar
3", 4":

-1 ... 0.6 bar,
0 ... 0.1 bar to 0 ... 40 bar
or all other equivalent vacuum or
combined pressure and vacuum ranges

Material

Body:

304 SS, 316 SS, 316L SS, Dual Phase
Steel, Hastelloy C276, Tantalum,
Titanium, Monel 400, Nickel 200

Diaphragm:

316L SS, Hastelloy C276, Tantalum,
Titanium, Monel 400, Nickel 200

Medium temperature

0°C ... 80°C,
81°C ... 200°C,
201°C ... 400°C

Others

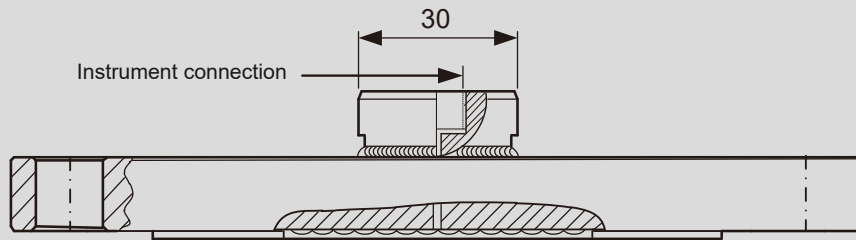
Welded with instrument, coating (PTFE
or PFA), capillary, cooling element

* Note:

1. When the diaphragm material is 316L with PTFE coating, it must not be used in vacuum environments or for measuring media containing particles.

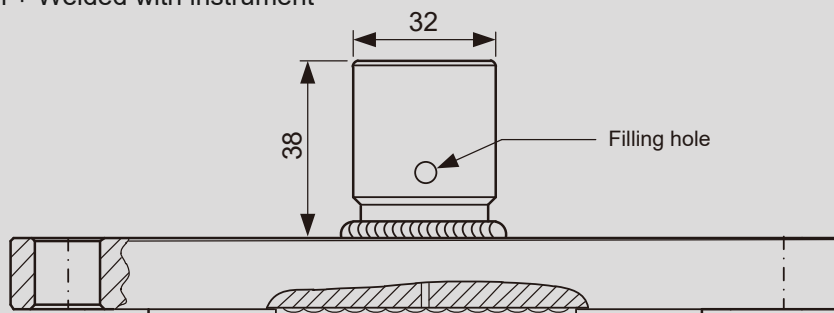
DIMENSIONS

Flush diaphragm



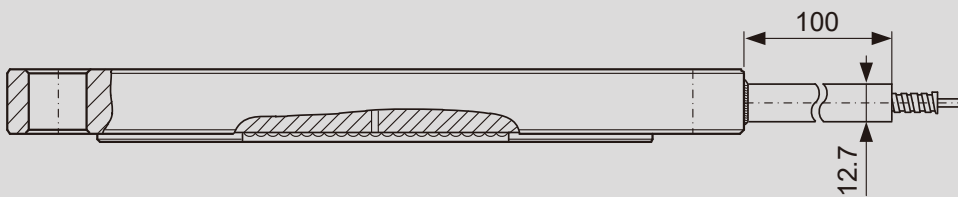
Unit: mm

Flush diaphragm + Welded with instrument



Unit: mm

Flush diaphragm + Capillary with handling tube



Unit: mm



rsIMMA

Elementos For Manufacturing Purposes



MEXICO BRANCH OFFICE

Roberto Diaz No. 401
Ciudad Industrial
Aguascalientes, Ags.
México
20290

4ManPro@4ManPro.com

+52 (449) 171 3420

www.4ManPro.com/SPA/

USA BRANCH OFFICE

708 Main St.
10th Floor
Houston, Tx, USA
77002

4ManPro_USA@4ManPro.com

+1 (832) 871 5022

www.4ManPro.com/ENG/