





Flanged Connection, Cell (Pancake) Diaphragm

Model: DIF-C



PRODUCT DESCRIPTION

▼
Instruments are connected via a side capillary connection and it is an ideal seal for transmitters or DP transmitters

▼
Be mounted between an open process flange and an optional cover flange

▼
Used for contaminated, solidifying, hot, or highly viscous media

▼
An alternative with high compatibility and corresponding specifications to the WIKA 990.28

PRODUCT SPECIFICATION

Type of process connection
ANSI/ ASME B16.5, JIS, DIN2527

Nominal diameter
1 1/2", 2", 3", 4"

Instrument connection
1/4, 3/8, 1/2
PT, G, NPT, M

Scale ranges
Pressure gauge:
1 1/2":
0 ... 6 bar to 0 ... 40 bar
2":
-1 ... 3 bar,
0 ... 4 bar to 0 ... 40 bar
3", 4":
-1 ... 1.5 bar,
0 ... 0.6 bar to 0 ... 40 bar

Transmitter:
1 1/2":
0 ... 2.5 bar to 0 ... 40 bar
2":
-1 ... 0.6 bar,
0 ... 0.25 bar to 0 ... 40 bar
3", 4":
-1 ... 0.6 bar,
0 ... 0.1 bar to 0 ... 40 bar

Cell-type with an extended diaphragm
Pressure gauge:
1 1/2":
0 ... 4 bar to 0 ... 40 bar
2":
-1 ... 3 bar,
0 ... 4 bar to 0 ... 40 bar
3", 4":
-1 ... 1.5 bar,
0 ... 0.6 bar to 0 ... 40 bar
Transmitter:
1 1/2":
0 ... 2.5 bar to 0 ... 40 bar
2":
-1 ... 0.6 bar,
0...0.25 bar to 0 ... 40 bar
3", 4":
-1 ... 0.6 bar,
0 ... 0.1 bar to 0 ... 40 bar
or all other equivalent vacuum or
combined pressure and vacuum ranges

Material
Body:
304 SS, 316 SS, 316L SS, dual phase
steel, Hastelloy C276, Tantalum,
Titanium, Monel 400, Nickel 200
Diaphragm:
316L SS, Hastelloy C276, Tantalum,
Titanium, Monel 400, Nickel 200

Medium temperature
0°C ... 80°C,
81°C ... 200°C,
201°C ... 400°C

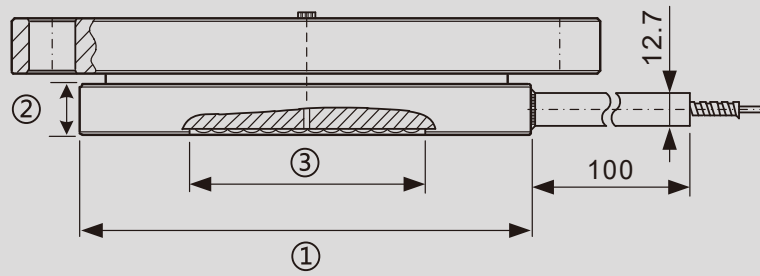
Others
Welded with instrument,
coating (PTFE or PFA), capillary,
cooling element, spacer

* Note:

1. When the diaphragm material is 316L with PTFE coating, it must not be used in vacuum environments or for measuring media containing particles.

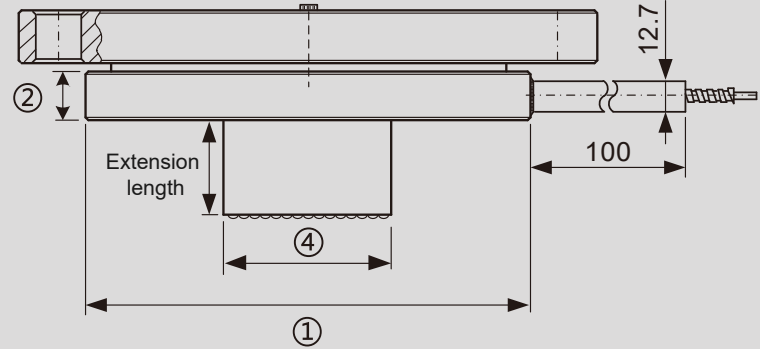
DIMENSIONS

Cell diaphragm



Unit: mm

Cell diaphragm + Spacer



Unit: mm

ANSI / ASME B16.5 150...2500LB

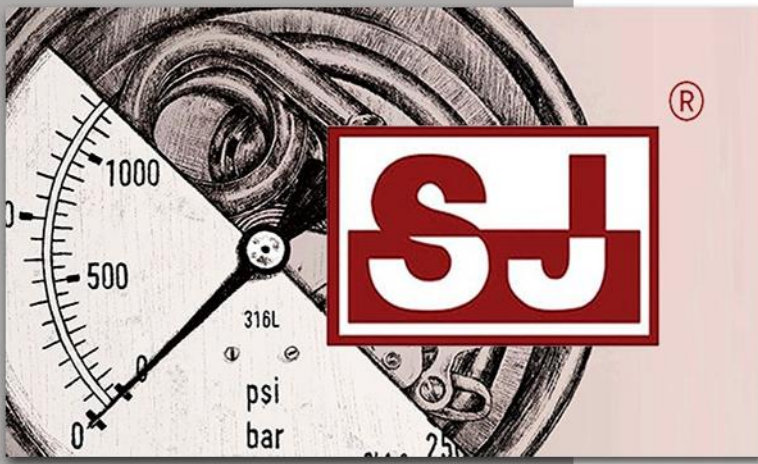
Nominal diameter	①	②	③	④
1 1/2"	83	20	50	38
2"	100	20	58	47
3"	133	20	88	70
4"	170	20	88	90

JIS 5K...63K

Nominal diameter	①	②	③	④
1 1/2"	85	20	50	38
2"	100	20	58	47
3"	130	20	88	70
4"	155	20	88	90

DIN PN6...PN64

Nominal diameter	①	②	③	④
1 1/2"	92	20	50	38
2"	107	20	58	47
3"	142	20	88	70
4"	162	20	88	90



rsIMMA

Elementos For Manufacturing Purposes



MEXICO BRANCH OFFICE

Roberto Diaz No. 401
Ciudad Industrial
Aguascalientes, Ags.
México
20290

4ManPro@4ManPro.com

+52 (449) 171 3420
www.4ManPro.com/SPA/



USA BRANCH OFFICE

708 Main St.
10th Floor
Houston, Tx, USA
77002

[4ManPro_USA
@4ManPro.com](mailto:4ManPro_USA@4ManPro.com)

+1 (832) 871 5022
www.4ManPro.com/ENG/