





# Glass Tube Thermometer with Metal Housing

Model: DET



## PRODUCT DESCRIPTION

▼  
Industrial metal sleeve, sturdy and durable

▼  
Suitable in boilers, air conditioners, diesel engines  
and other equipment

## PRODUCT SPECIFICATION

### Connection location

Bottom mount, back mount

### Standard

6"

### Scale ranges

0 ... 50°C,

0 ... 100°C,

0 ... 200°C

### Process connection

Copper alloy, 304 SS

1/4, 3/8, 1/2

PT, G, NPT

### Stem

Copper alloy, 304 SS

Length: 100 mm (including thread)

Diameter: 9.5 mm

### Case/Ring

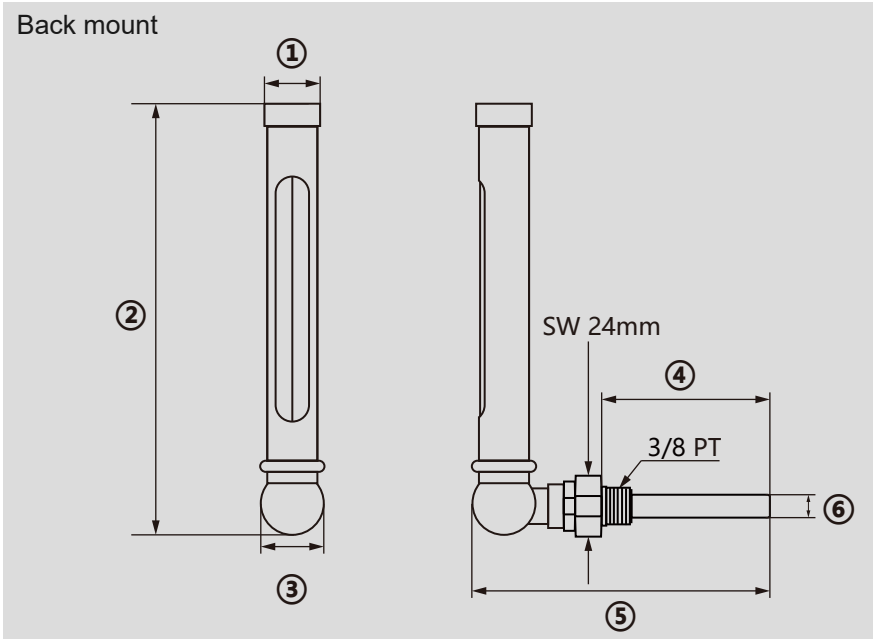
Chrome plated aluminum, 304 SS

### Accessories (option)

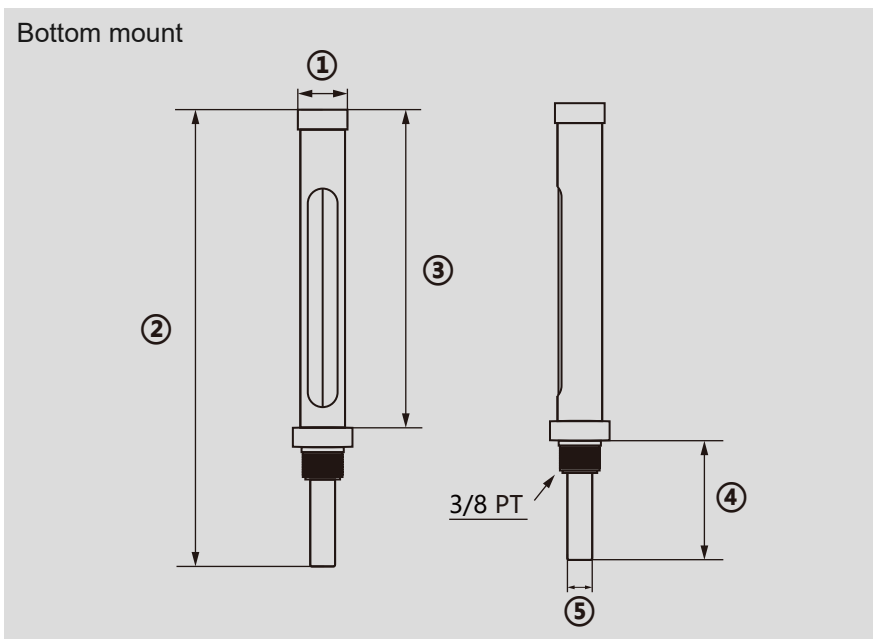
Thermowell

(chrome plated aluminum / 304 SS)

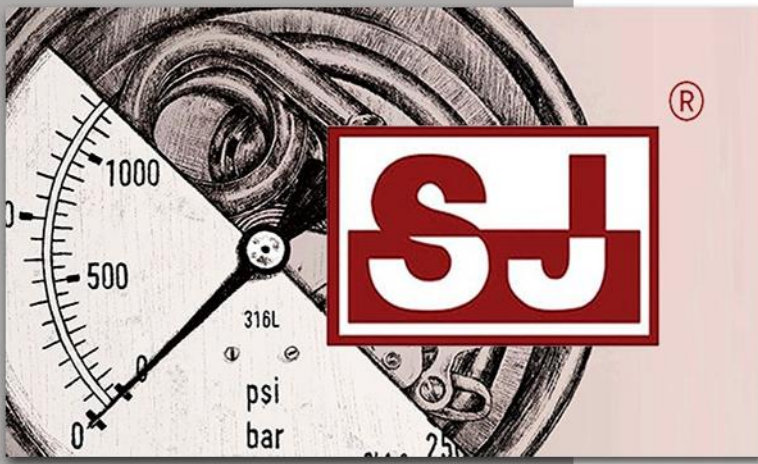
## DIMENSIONS



Dimensions (mm)						
Back mount	①	②	③	④	⑤	⑥
	23	151	22.8	65	122	9.5



Dimensions (mm)					
Bottom mount	①	②	③	④	⑤
	24	316	120	45	9.5



# rsIMAC

*Elementos For Manufacturing Purposes*



## **MEXICO BRANCH OFFICE**

Roberto Diaz No. 401  
Ciudad Industrial  
Aguascalientes, Ags.  
México  
20290

[4ManPro@4ManPro.com](mailto:4ManPro@4ManPro.com)

+52 (449) 171 3420

[www.4ManPro.com/SPA/](http://www.4ManPro.com/SPA/)

## **USA BRANCH OFFICE**

708 Main St.  
10<sup>th</sup> Floor  
Houston, Tx, USA  
77002

[4ManPro\\_USA](mailto:4ManPro_USA@4ManPro.com)

[@4ManPro.com](mailto:@4ManPro.com)

+1 (832) 871 5022

[www.4ManPro.com/ENG/](http://www.4ManPro.com/ENG/)