



**FONGEI
INDUSTRY
Co., Ltd.**

**SISTEMAS
TRANSPORTADORES
DE VIRUTAS**



逢吉

SINCE 1975

FONGEX®

chip Conveyor System



FEIN

Index

- 1** Excellent Results Create **Dominant Position**
- 3** **Manufacturing and System Planning**
- 5** **Automated** Sophisticated Machining Equipment
- 7** **Efficiency-Enhanced** Consistent Production Process
- 9** **Select A Suitable Conveyor** By Different Chip Types

11~20 Products

Steel Belt Chip Conveyor

- 11** **Standard Model**

Scraper Type Chip Conveyor

- 14** **Standard Model**
Suitable for Dry Chips under **60mm**
- 15** **Precision Model**
Suitable for Chips between **2~60mm**
- 16** **Magnetic Model**
Suitable for Chips between **2~60mm**
- 17** **Precision Magnetic Model**
Suitable for Chips between **2~60mm**

- 18** **Drum Type Chip Conveyor**
For Tiny Chips

- 19** **Dual Belt Type Chip Conveyor**
For All Kinds of Chips

- 20** **Magnetic Conveyor**
For Magnetically Attracted Chips

- 21** **Leading Brand Name**
Chip Conveyor Systems

- 23** **Moving Forward**
Engage the Future

Excellent Results Create Dominant Position



40

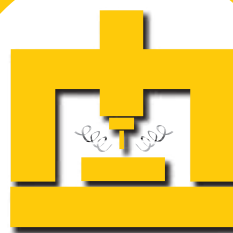
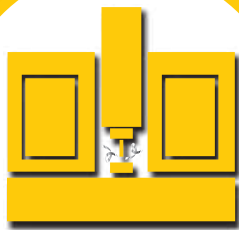
Years In The Industry

18,000

Units Sold Each Year

1,600

Global Customers





100%

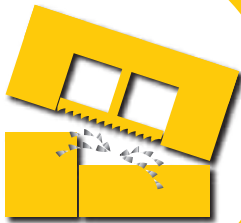
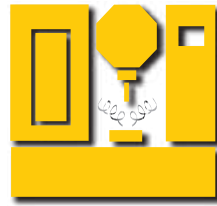
Customer Satisfaction

95%

In-house Production

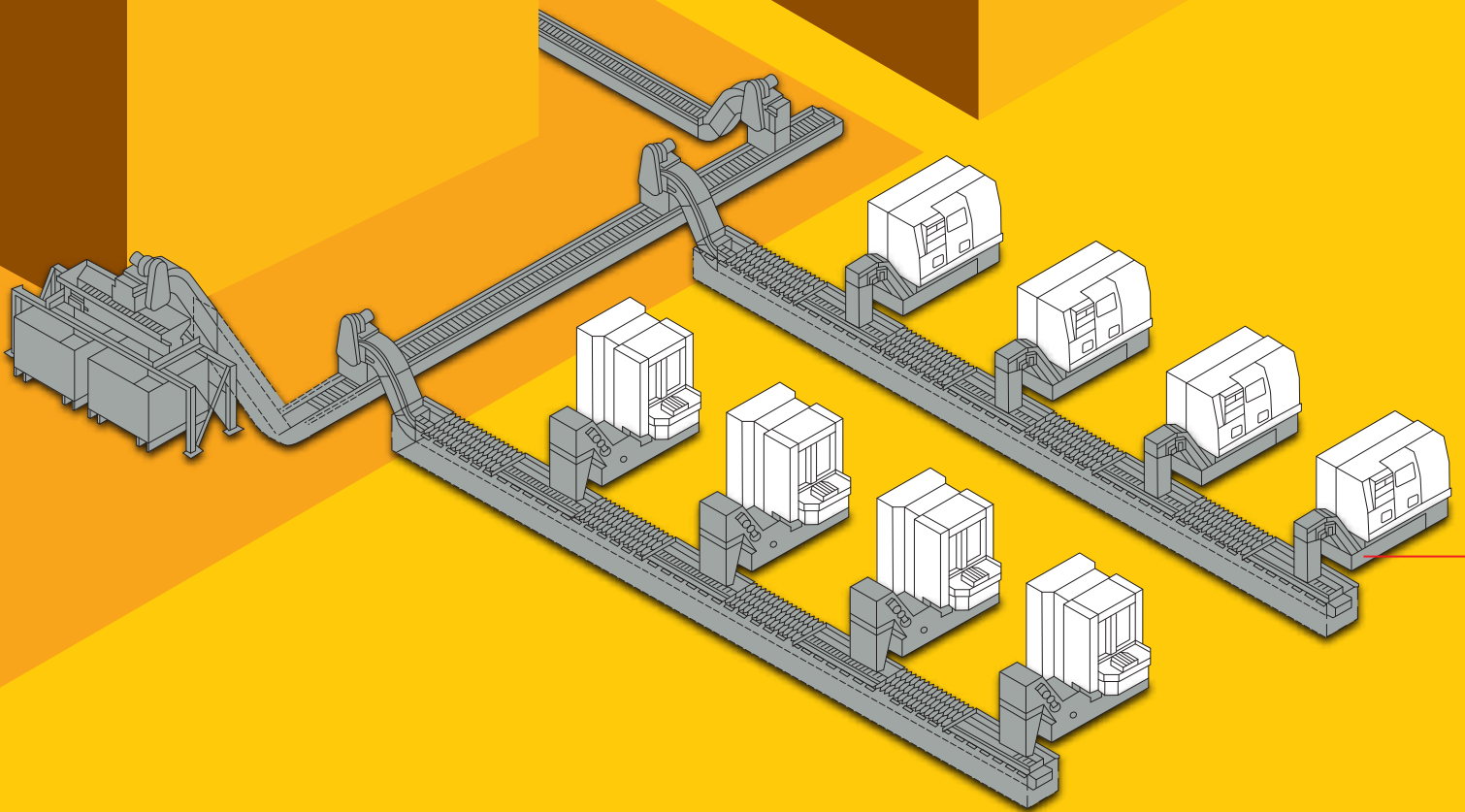
80%

Market Share In Taiwan

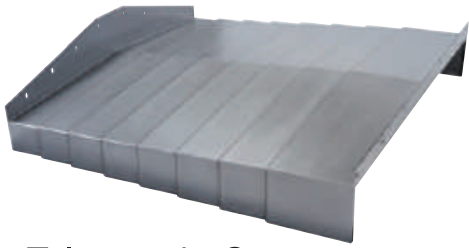


Wide Range of Machine Accessories Meet Customer Needs

Specialized in the Integration of Filtration Systems



Multi-Type
Chain Plates



Telescopic Cover

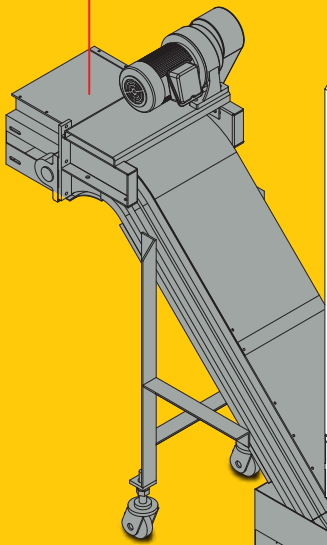


Oil Mist Filter

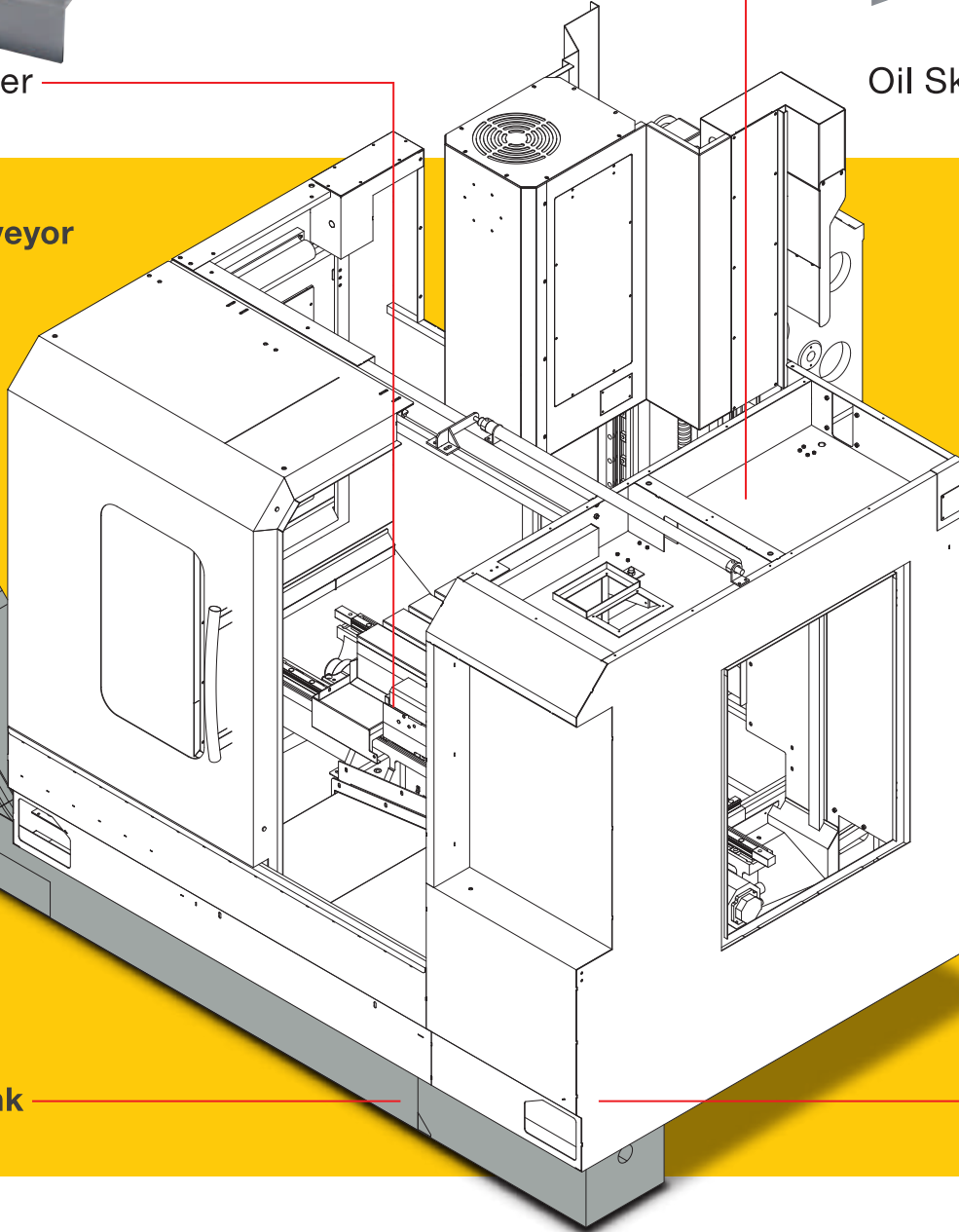


Oil Skimmer

Chip Conveyor



Coolant Tank



Carts



CTS System With Coolant Tank



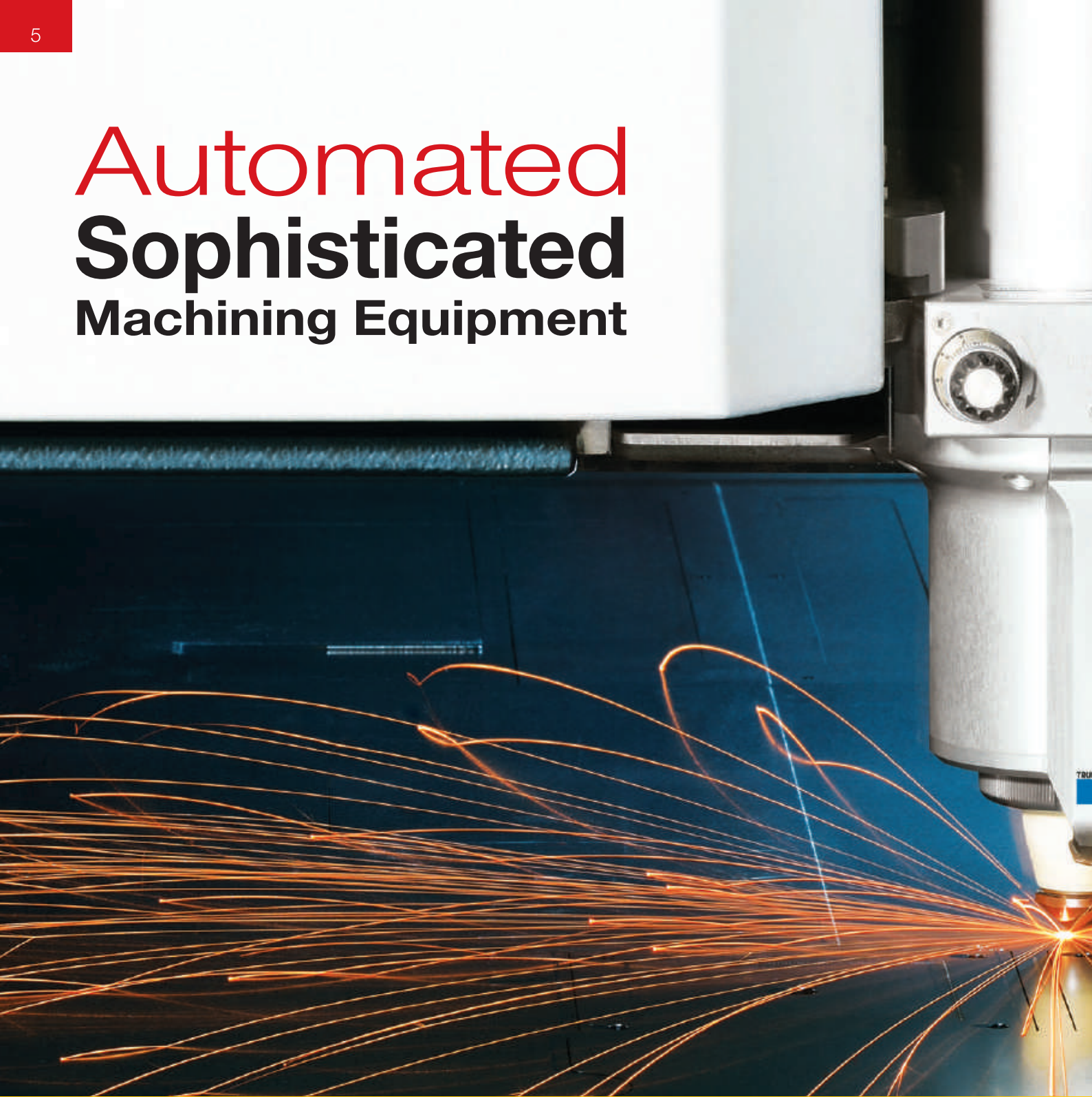
CTS System Without Coolant Tank



Liquid-Chip Separator



Automated Sophisticated Machining Equipment



Trumpf-Germany
Laser Cutting Machine



Trumpf-Germany
CNC Bending Machine

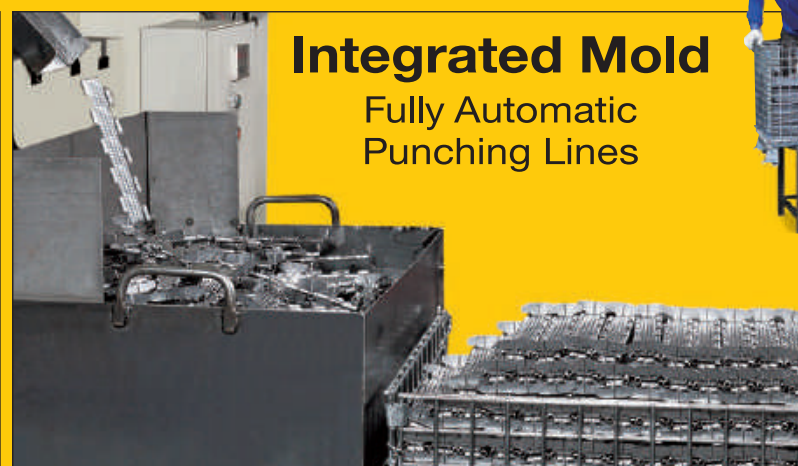


Welding
Robots



Constantly upgrading automated and unmanned manufacturing systems is Fongei's unwavering policy. Over the years we have not only established the most up-to-date facilities, but also invested heavily in world-famous machining equipment, such as the German Trumpf laser cutting machine, Trumpf CNC bending machine, a number of welding robots and fully automatic punching lines.

Our objective is to greatly invest in machining equipment in order to upgrade manufacturing efficiency and lower production costs, enabling us to pass on savings to our customers.



Integrated Mold

Fully Automatic
Punching Lines





Efficiency-Enhanced Consistent Production Process

Fongei is an efficiency-enhanced company. Our product assembly line is elaborately planned to achieve a clean and highly efficient working area. All on site personnel are not only well trained, but also pay extra attention to every detail throughout the manufacturing process.

This ensures maximum dependability of fongei's chip conveyors. Furthermore, on-process inspection is conducted during assembly to provide additional quality control.

1

Chain Riveting

**2**

Chain Installation

**3**

Motor Mounting





4

Finished Assembled



5

Product Inspection



Select a Suitable Conveyor by Different Chip Types



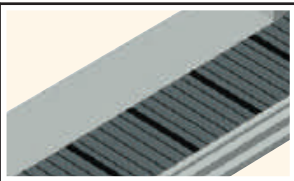
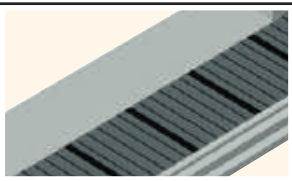
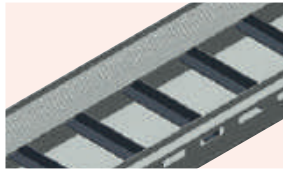
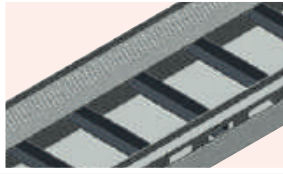
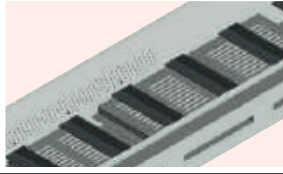

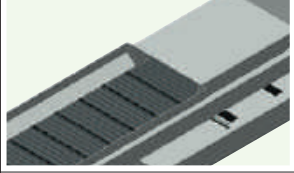
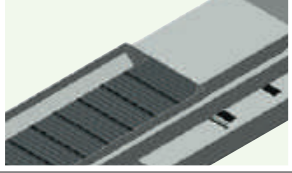
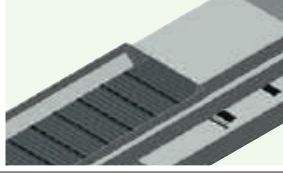


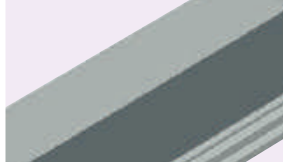
Curly Iron



Metallic



Non-Curly

<p>Steel Belt Chip Conveyor</p> <p>Standard Model</p>			
<p>Scraper Type Chip Conveyor</p> <p>Standard Model Suitable for Dry Chips under 60mm</p>			
<p>Precision Model Suitable for Chips between 2~60mm</p>			
<p>Magnetic Model Suitable for Chips between 2~60mm</p>			
<p>Precision Magnetic Model Suitable for Chips between 2~60mm</p>			
<p>Drum Type Chip Conveyor</p> <p>For Tiny Chips</p>			
<p>Dual Belt Type Chip Conveyor</p> <p>For All Kinds of Chips</p>			
<p>Magnetic Conveyor</p> <p>For Magnetically Attracted Chips</p>			



Foundry



Curly Aluminum



Aluminum



Brass



Non-Metallic

Steel Belt Chip Conveyor Standard Model

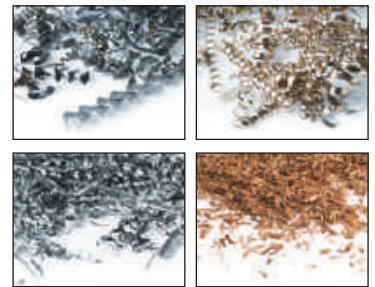


Belt pitch 31.75mm, for general machine tool chip removal, such as for CNC lathes and machining centers.

Features

- With dimply steel belt design. This prevents the sticking of tiny chips and efficiently promotes chip removal. The steel belt is also very durable.
- The steel belt chip conveyor is made with high tension.
- This model can be matched with various machine tools, machining centers, drills, planer type milling machines and other dedicated machinery.
- CE approved.

Applicable Chips



Pitch: 31.75mm
Frame: 3mm

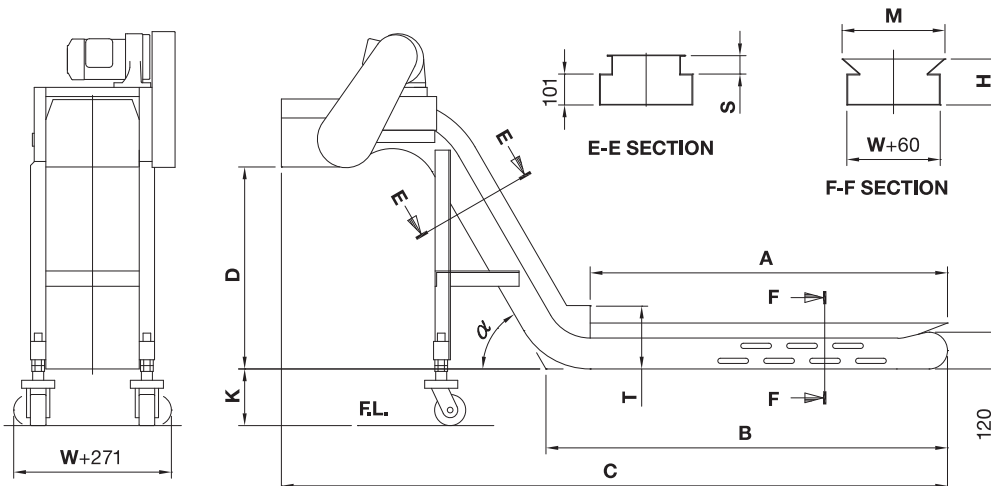
Option

- W** 100 150 200
 250 300 350
 400 450 500
 550 600 650
 700 750 800
α 0° 15° 30° 45° 60°

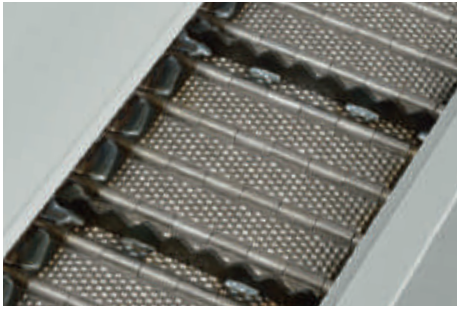
Customization

Fill in Blank _____ Unit

- A** _____ mm
B _____ mm
C _____ mm
D _____ mm
K _____ mm
T _____ mm
H _____ mm
M _____ mm
S **60** _____ mm
HP _____ mm
Max. Removal Load
 _____ kg/hr
Max. Flow Rate
 _____ ℓ/min



Steel Belt Chip Conveyor Standard Model

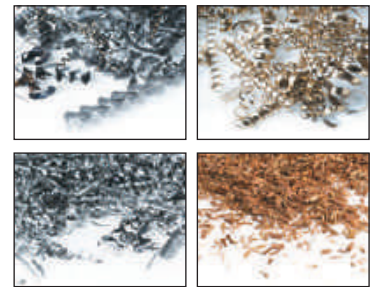


Belt pitch 50.8mm, for general machine tool chip removal, such as for CNC lathes and machining centers.

Features

- With dimply steel belt design. This prevents the sticking of tiny chips and efficiently promotes chip removal. The steel belt is also very durable.
- The steel belt chip conveyor is made with high tension.
- This model can be matched with large conventional machines tools, CNC machine tools, small/medium-sized presses and laser cutting machines.
- CE approved.

Applicable Chips



**Pitch: 50.8mm
Frame: 3mm**

Option

W 180 240 300
360 420 480
540 600 720
780 1020
1200 1560

α 0° 15° 30° 45° 60°

Customization

Fill in Blank _____ Unit

A _____ mm

B _____ mm

C _____ mm

D _____ mm

K _____ mm

T _____ mm

H _____ mm

M _____ mm

S 75 _____ mm

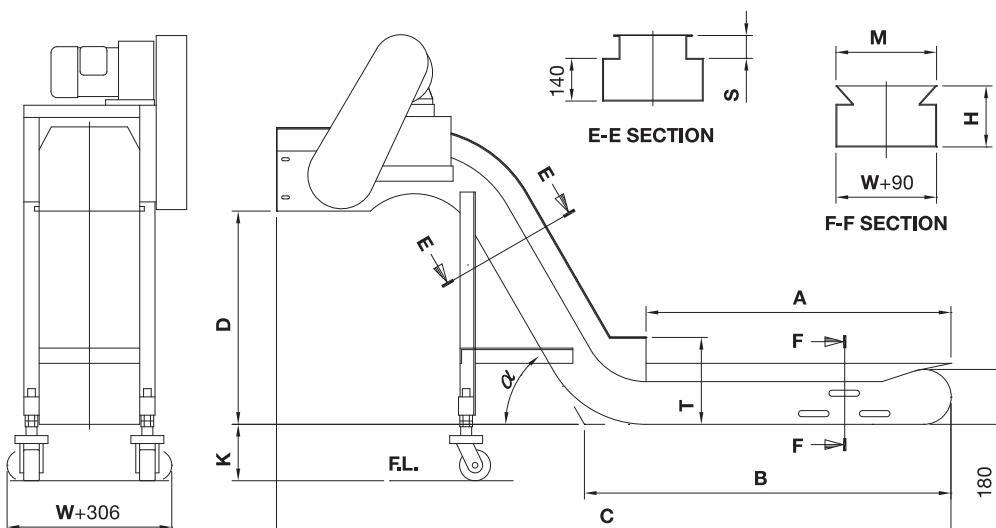
HP _____ mm

Max. Removal Load

_____ kg/hr

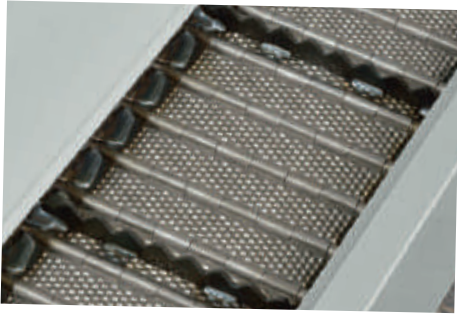
Max. Flow Rate

_____ l/min



Steel Belt Chip Conveyor

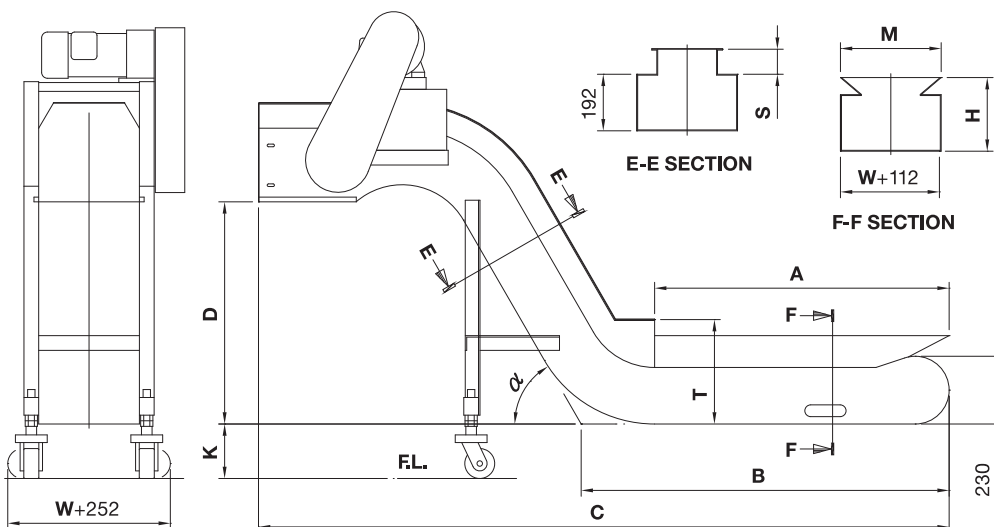
Standard Model



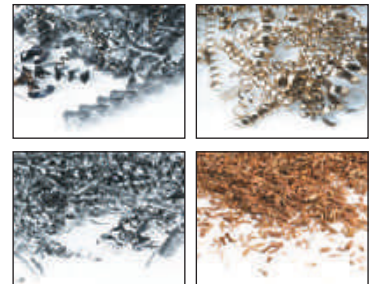
Belt pitch 63.5mm, for general machine tool chip removal, such as for CNC lathes and machining centers.

Features

- With dimply steel belt design. This prevents the sticking of tiny chips and efficiently promotes chip removal. The steel belt is also very durable.
- The steel belt chip conveyor is made with high tension.
- This model can be matched with various extrusion presses, forging presses, punching presses, and production lines for automotive components, wheel rims and other turnkey processes.
- CE approved.



Applicable Chips



Pitch: 63.5mm
Frame: 3mm

Option

W 152 230 306
 382 460 612
 687 763 916
 α 0° 15° 30° 45° 60°

Customization

Fill in Blank _____ Unit

A _____ mm

B _____ mm

C _____ mm

D _____ mm

K _____ mm

T _____ mm

H _____ mm

M _____ mm

S **85** mm

HP _____ mm

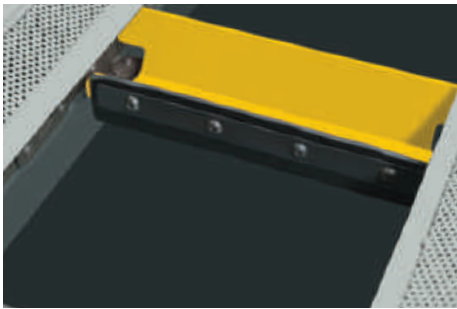
Max. Removal Load

_____ kg/hr

Max. Flow Rate

_____ l/min

Scraper Type Chip Conveyor Standard Model



Suitable for Dry Chips under
60mm

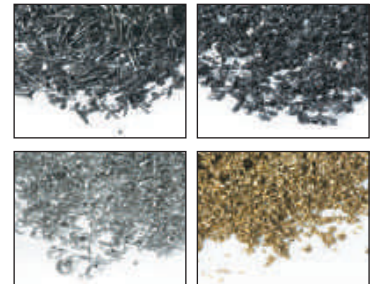


Scraper type for powders and tiny chips, such as copper, aluminum and casting iron chips. Usually used for dry cutting processes.

Features

- Special design for chip removal.
- The scraper chip conveyor is made with high tension.
- This model is suitable for non-scrolled type chips, such as iron, casting iron, copper and aluminum chips.
- This model can be matched with various machine tools, machining centers, drills, planer type milling machines, gear machines and other dedicated machinery.
- CE approved.

Applicable Chips



Pitch: 38.1mm
Frame: 3mm

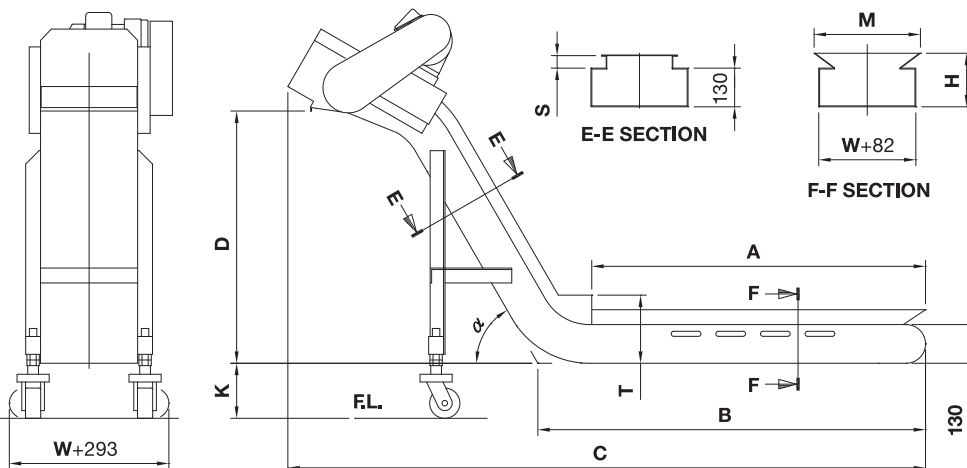
☑ Option

- W 100 125 150
 175 200 225
 250 275 300
 325 350 375
 400 425 450
 475 500 525
 550 575 600
 625 650 675
 700 725 750
 775 800
- α 30° 45° 60°

Customization

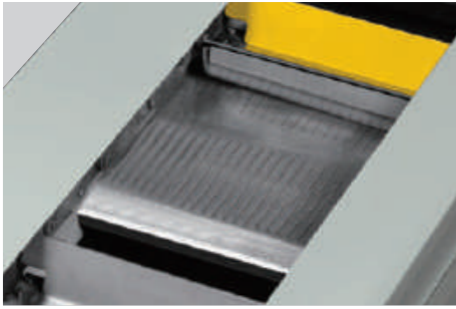
Fill in Blank _____ Unit

- A _____ mm
 B _____ mm
 C _____ mm
 D _____ mm
 K _____ mm
 T _____ mm
 H _____ mm
 M _____ mm
 S 42 _____ mm
 HP _____ mm
 Max. Removal Load
 _____ kg/hr



Scraper Type Chip Conveyor

Precision Model



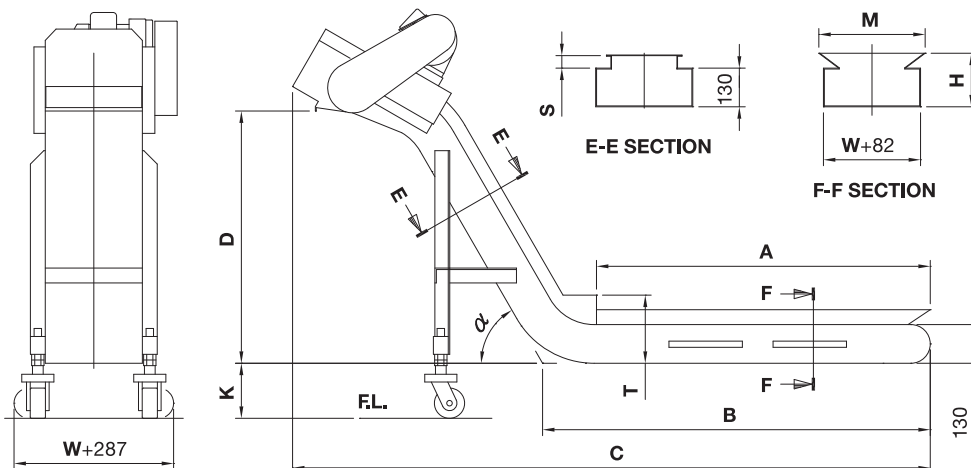
Suitable for Chips between
2~60mm



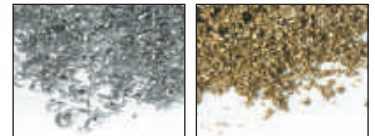
Scraper type for powders and tiny chips, such as copper and aluminum chips.

Features

- Specially designed for chip removal.
- The scraper chip conveyor is made with high tension.
- This model applies to non-scrolled type chips, such as iron, casting iron, copper and aluminum chips.
- Features a filter box design.
- This model can be matched with various machine tools, machining centers, drills, planer type milling machines, gear machines and other dedicated machinery.
- CE approved.



Applicable Chips



Pitch: 38.1mm
Frame: 3mm

☑ Option

- W 100 125 150
 175 200 225
 250 275 300
 325 350 375
 400 425 450
 475 500 525
 550 575 600
 625 650 675
 700 725 750
 775 800
- α 30° 45° 60°

Customization

Fill in Blank _____ Unit

A _____ mm

B _____ mm

C _____ mm

D _____ mm

K _____ mm

T _____ mm

H _____ mm

M _____ mm

S 42 _____ mm

HP _____ mm

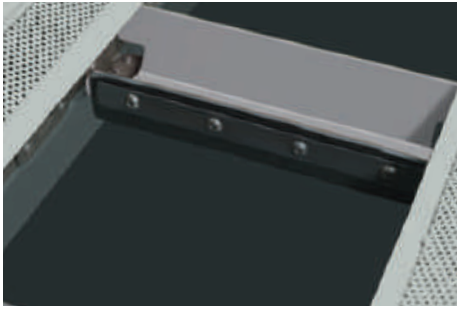
Max. Removal Load

_____ kg/hr

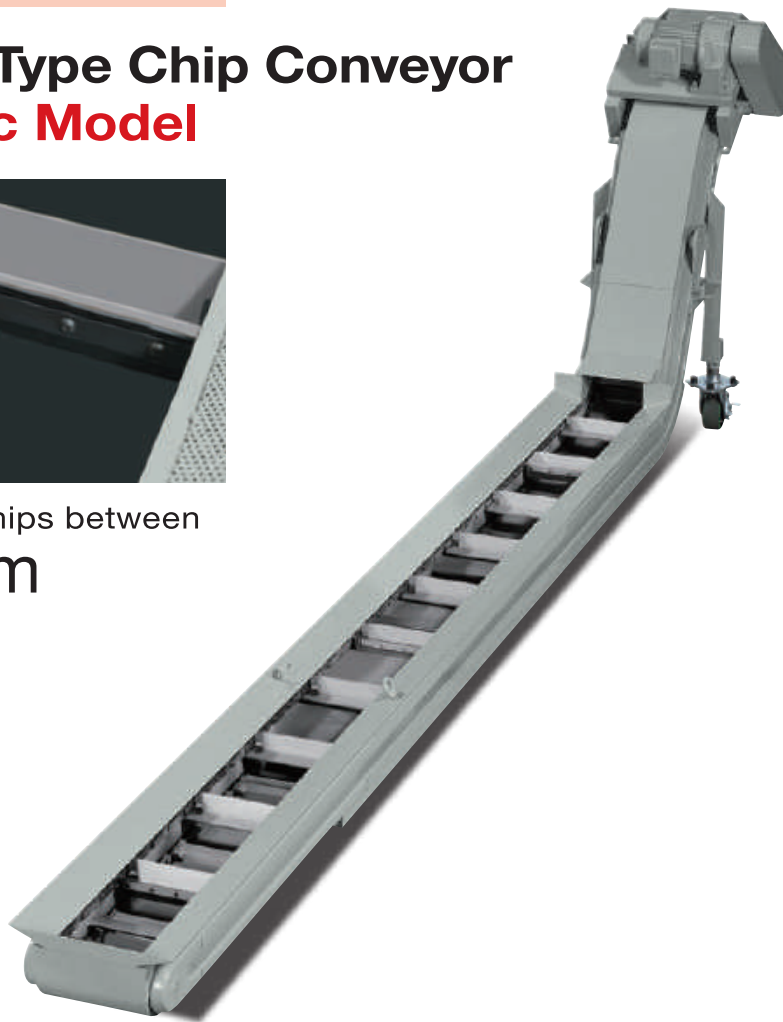
Max. Flow Rate

_____ ℓ /min

Scraper Type Chip Conveyor Magnetic Model



Suitable for Chips between
2~60mm

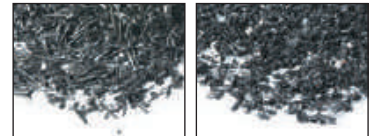


Scraper type for powders and tiny chips, such as casting iron chips.

Features

- Specially designed for chip removal.
- The scraper chip conveyor is made with high tension.
- This model applies to non-scrolled type chips, such as casting iron chips.
- This model can be matched with various machine tools, machining centers, drills, planer type milling machines, gear machines and other dedicated machinery.
- CE approved.

Applicable Chips



Pitch: 38.1mm
Frame: 3mm

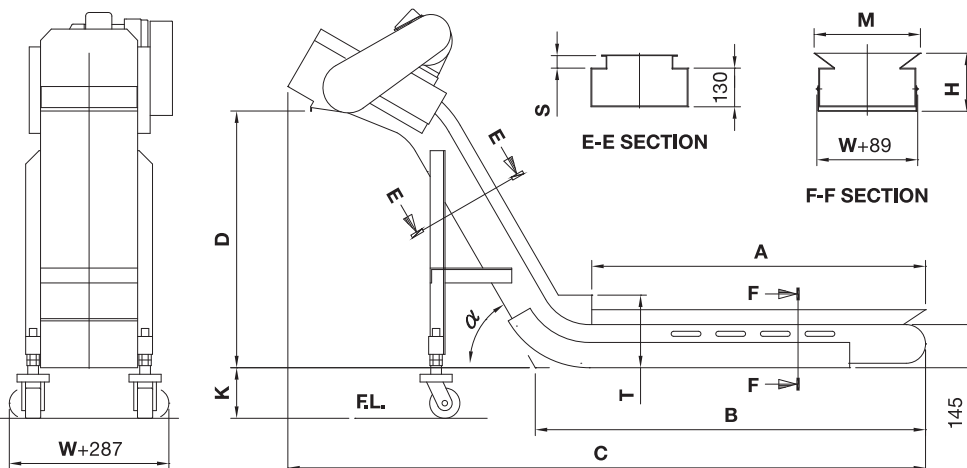
Option

- | | | | |
|----------|------------------------------|------------------------------|------------------------------|
| W | <input type="checkbox"/> 100 | <input type="checkbox"/> 125 | <input type="checkbox"/> 150 |
| | <input type="checkbox"/> 175 | <input type="checkbox"/> 200 | <input type="checkbox"/> 225 |
| | <input type="checkbox"/> 250 | <input type="checkbox"/> 275 | <input type="checkbox"/> 300 |
| | <input type="checkbox"/> 325 | <input type="checkbox"/> 350 | <input type="checkbox"/> 375 |
| | <input type="checkbox"/> 400 | <input type="checkbox"/> 425 | <input type="checkbox"/> 450 |
| | <input type="checkbox"/> 475 | <input type="checkbox"/> 500 | <input type="checkbox"/> 525 |
| | <input type="checkbox"/> 550 | <input type="checkbox"/> 575 | <input type="checkbox"/> 600 |
| | <input type="checkbox"/> 625 | <input type="checkbox"/> 650 | <input type="checkbox"/> 675 |
| | <input type="checkbox"/> 700 | <input type="checkbox"/> 725 | <input type="checkbox"/> 750 |
| | <input type="checkbox"/> 775 | <input type="checkbox"/> 800 | |
| α | <input type="checkbox"/> 30° | <input type="checkbox"/> 45° | <input type="checkbox"/> 60° |

Customization

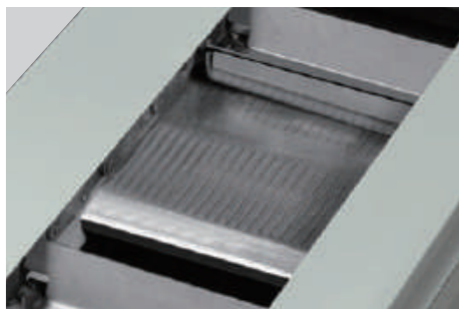
Fill in Blank _____ Unit

- | | | |
|-------------------|-------|-------|
| A | _____ | mm |
| B | _____ | mm |
| C | _____ | mm |
| D | _____ | mm |
| K | _____ | mm |
| T | _____ | mm |
| H | _____ | mm |
| M | _____ | mm |
| S | 42 | mm |
| HP | _____ | mm |
| Max. Removal Load | _____ | kg/hr |
| Max. Flow Rate | _____ | l/min |

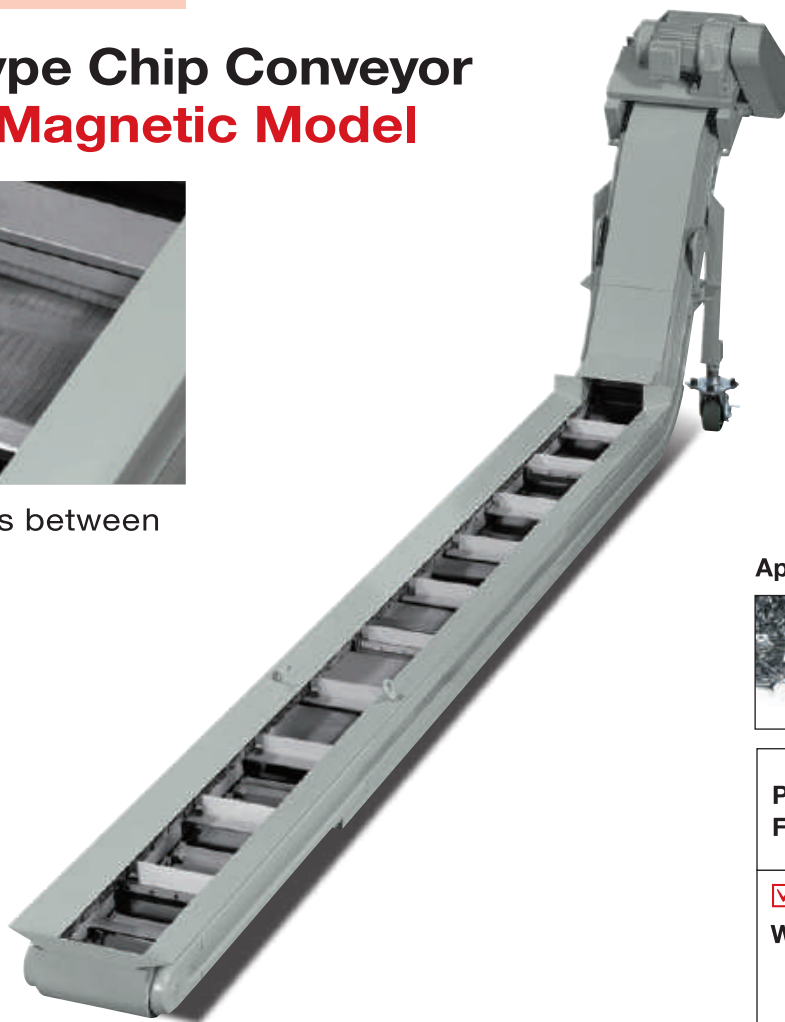


Scraper Type Chip Conveyor

Precision Magnetic Model



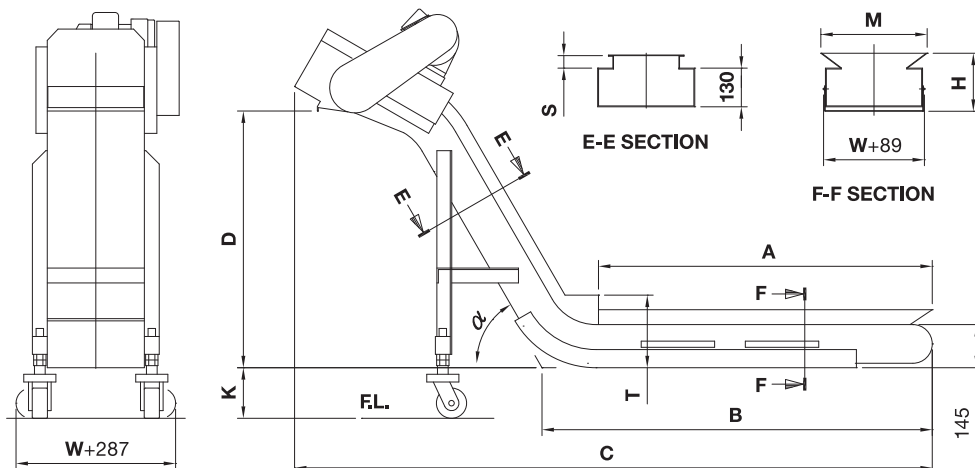
Suitable for Chips between
2~60mm



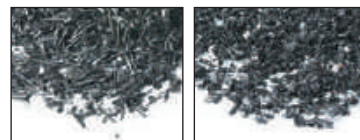
Scraper type for powders and tiny chips, such as casting iron chips.

Features

- Specially designed for chip removal.
- The scraper chip conveyor is made with high tension.
- This model applies to non-scrolled type chips, such as casting iron chips.
- Features a filter box design.
- This model can be matched with various machine tools, machining centers, drills, planer type milling machines, gear machines and other dedicated machinery.
- CE approved.



Applicable Chips



Pitch: 38.1mm
Frame: 3mm

☑ Option

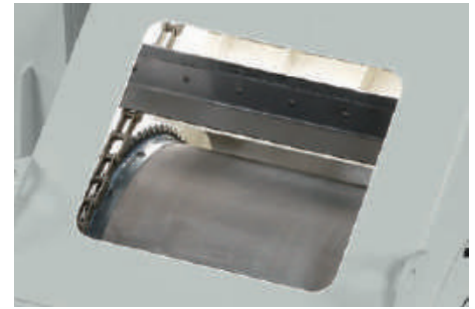
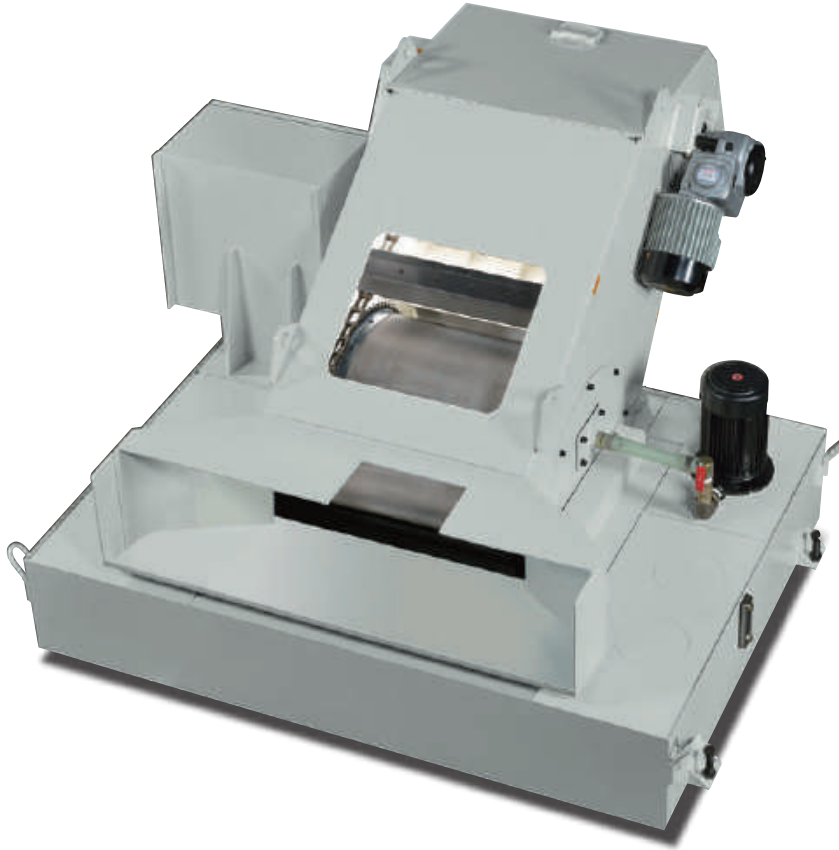
W	<input type="checkbox"/> 100	<input type="checkbox"/> 125	<input type="checkbox"/> 150
	<input type="checkbox"/> 175	<input type="checkbox"/> 200	<input type="checkbox"/> 225
	<input type="checkbox"/> 250	<input type="checkbox"/> 275	<input type="checkbox"/> 300
	<input type="checkbox"/> 325	<input type="checkbox"/> 350	<input type="checkbox"/> 375
	<input type="checkbox"/> 400	<input type="checkbox"/> 425	<input type="checkbox"/> 450
	<input type="checkbox"/> 475	<input type="checkbox"/> 500	<input type="checkbox"/> 525
	<input type="checkbox"/> 550	<input type="checkbox"/> 575	<input type="checkbox"/> 600
	<input type="checkbox"/> 625	<input type="checkbox"/> 650	<input type="checkbox"/> 675
	<input type="checkbox"/> 700	<input type="checkbox"/> 725	<input type="checkbox"/> 750
	<input type="checkbox"/> 775	<input type="checkbox"/> 800	
α	<input type="checkbox"/> 30°	<input type="checkbox"/> 45°	<input type="checkbox"/> 60°

Customization

Fill in Blank _____ Unit

A	_____	mm
B	_____	mm
C	_____	mm
D	_____	mm
K	_____	mm
T	_____	mm
H	_____	mm
M	_____	mm
S	42	mm
HP	_____	mm
Max. Removal Load	_____	kg/hr
Max. Flow Rate	_____	ℓ/min

Drum Type Chip Conveyor External Model



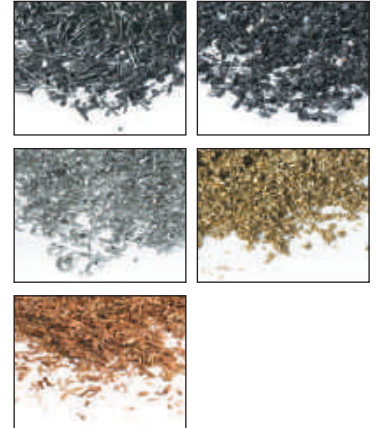
For Tiny Chips

Chain pitch 381mm, for general machine tool chip removal with drum type filter system.

Features

- Suitable for conveying tiny chips with cutting coolant, especially aluminum chips, light metallic chips, titanium alloy chips, magnesium chips and powder chips.
- Filter precision of 150µm without blockages.
- Equipped with an automatic cleaning device.
- This model can be matched with various machine tools, machining centers, drills, planer type milling machines and other dedicated machinery.
- CE approved.

Applicable Chips



Pitch: 381mm
Frame: 3mm

Option

W 400 450 500
 570 600 700
 800 900 1000

Customization

Fill in Blank _____ Unit

A _____ mm

B _____ mm

C _____ mm

D _____ mm

E _____ mm

K _____ mm

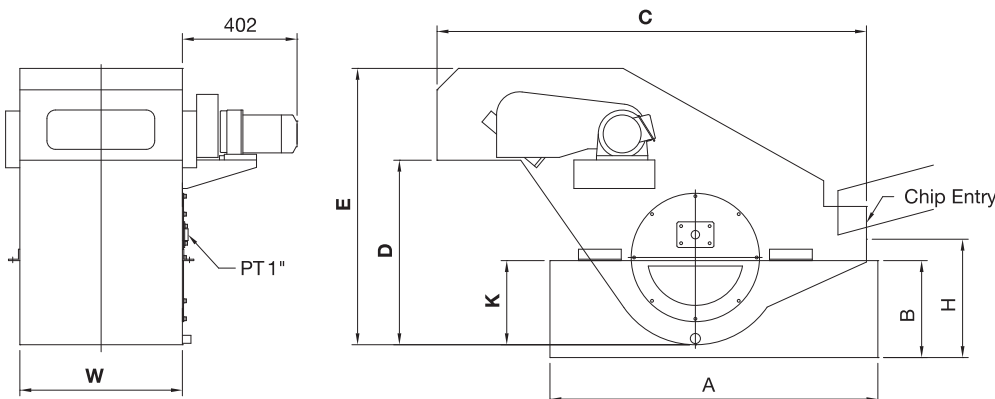
H _____ 350 _____ mm

W _____ mm

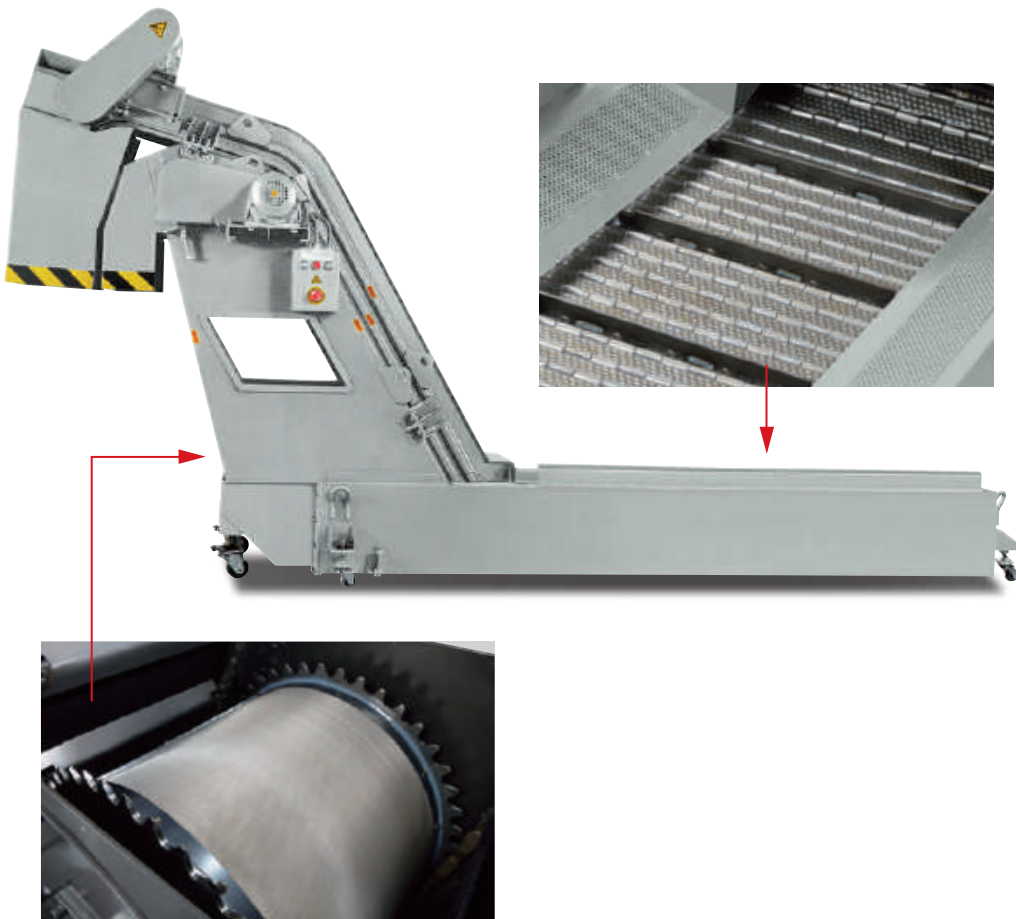
HP _____ mm

Max. Removal Load
 _____ kg/hr

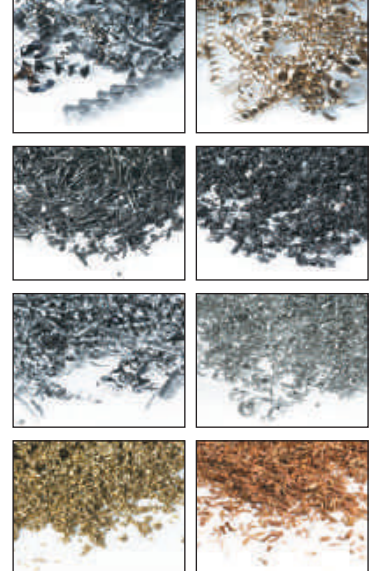
Max. Flow Rate
 _____ l/min



Dual Belt Type Chip Conveyor (For All Kinds of Chips)



Applicable Chips



For compound processing and conveying a wide variety of iron chips.

Features

- Suitable for compound processes, and features excellent chip removal with high filter precision.
- This model is applicable for both long and short mixed chips.
- With advanced filter system to process a lot of coolant, and a filter precision of 150µm without blockages.
- This model can be matched with various machine tools, machining centers, drills, planer type milling machines and other dedicated machinery.
- CE approved.

**Pitch: 38.1mm
Frame: 3mm**

Option

- W 400 500 570
 600 800 900
 1000

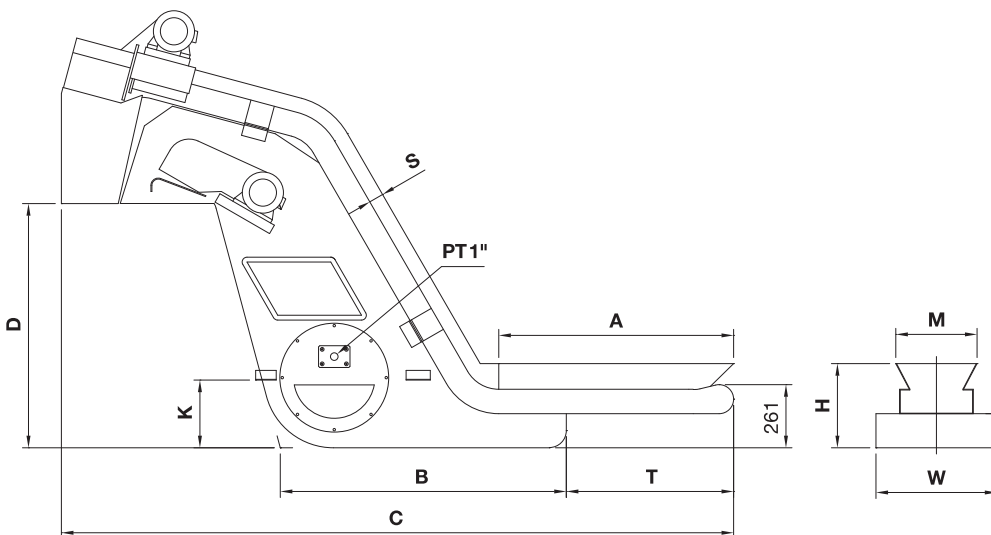
Customization

Fill in Blank _____ Unit

- A _____ mm
 B _____ mm
 C _____ mm
 D _____ mm
 K _____ mm
 T _____ mm
 H **350** mm
 W _____ mm
 M _____ mm
 S **60** mm
 HP _____ mm

Max. Removal Load
 _____ kg/hr

Max. Flow Rate
 _____ ℓ/min



Magnetic Conveyor



For Magnetically Attracted Chips

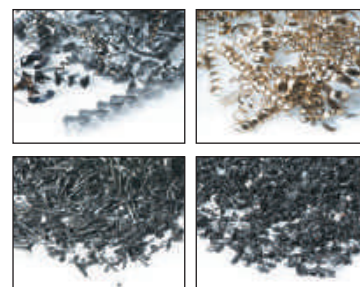


Belt pitch 31.75 for chip removal on presses and Screw Making Machines.

Features

- Suitable to convey iron pieces, silicon steel pieces and screw parts.
- Using magnetic principles, this conveyor first magnetizes the chips, and then proceeds to transport them.
- This model can be matched with presses and screw transportation.
- CE approved.

Applicable Chips



Pitch: 31.75mm
Frame: 3mm

Option

W 205 255 311

361 417

α 30° 45° 60°

Customization

Fill in Blank _____ Unit

A _____ mm

B _____ mm

C _____ mm

D _____ mm

K _____ mm

H _____ mm

W _____ mm

M _____ mm

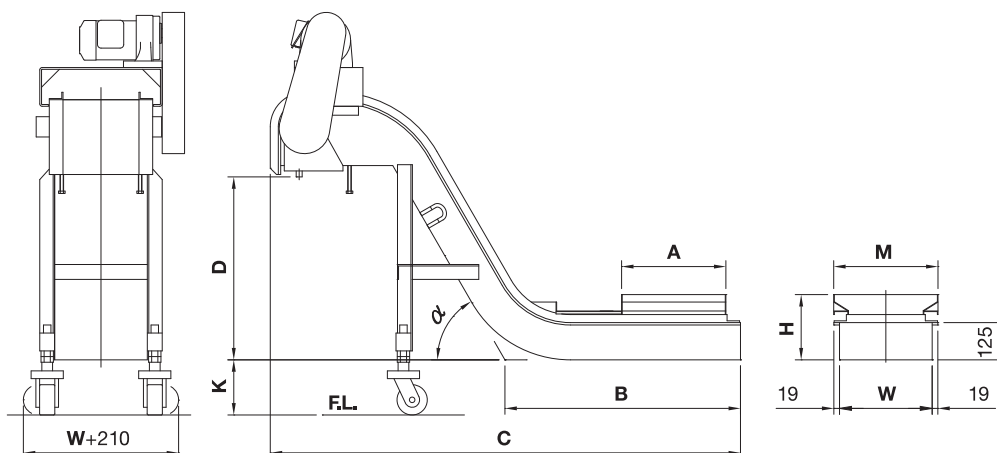
HP _____ mm

Max. Removal Load

_____ kg/hr

Chip Dimensions

_____ mm



Leading Brand Name Chip Conveyor Systems



Established: 1975

Capital: USD \$9 million

Employees: 170

Area: 30,000m²

Excellence**Consistency****Innovation**

Company Profile

Founded in 1975, Fongei Industry Co., Ltd. is a highly reputed manufacturer of chip conveyors. Fongei chip conveyors have been supplied to the majority of domestic machine tool manufacturers.

Thanks to excellent quality and reasonable price, Fongei products have occupied over 80% of the domestic chip conveyor market. Based on steady growth of domestic business, Fongei is aggressively developing international markets.

With high quality and competitive prices, we believe Fongei products will be fully satisfactory to foreign customers as well. We will continue to dedicate ourselves to excellence in chip conveyors and strive to achieve our strategic targets.



Moving Forward Engage the Future

In the future, we will continue to dedicate ourselves to excellence in chip conveyors and provide customers with high quality and more efficient filtration systems.





MEXICO BRANCH OFFICE

Roberto Diaz No. 401
Ciudad Industrial
Aguascalientes, Ags.
México
20290

4ManPro@4ManPro.com
(449) 171 3420
www.4ManPro.com/SPA/

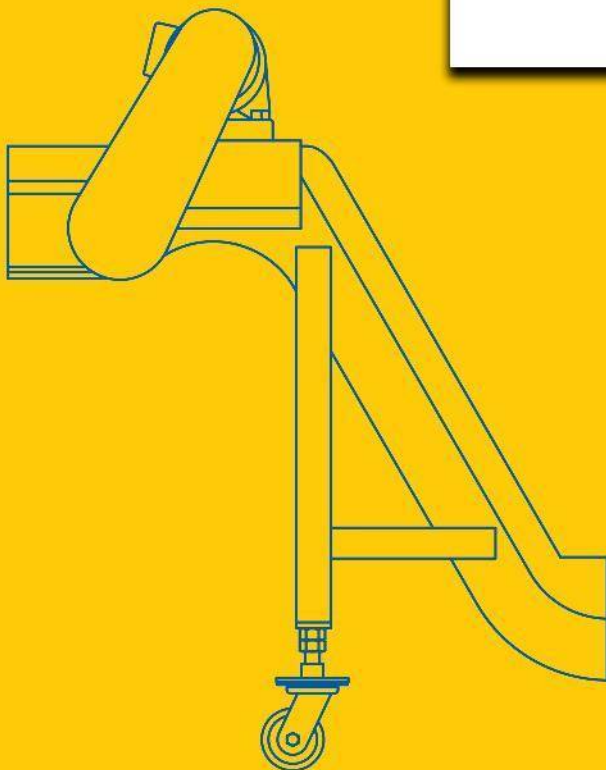


USA BRANCH OFFICE

Pennzoil Place
700 Milam
Suite 1300
Houston, Tx, USA
77002

4ManPro-USA@4ManPro.com
+1 (832) 871 5022
www.4ManPro.com/ENG/

*Elements For
Manufacturing Processes*



Customized Chip Conveyor Systems Planning

- The referred products are covered by product liability insurance.
- Contents are subject to change without any notice.